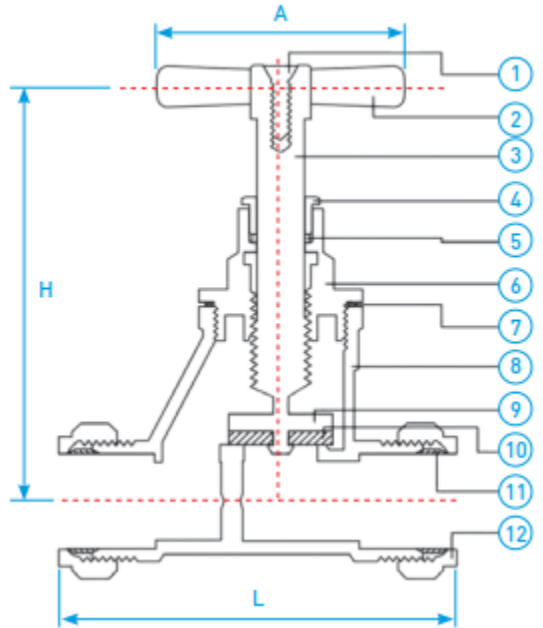


# BRASS CR STOP COCK COMPRESSION END

COMPLY WITH SS75-2:1978 (2012)  
AS/NZS4020:2005  
SS375:2015  
BSEN12165:2016  
BS 3457:1973



CROSS SECTIONAL VIEW

### STANDARD SPECIFICATIONS

Working Pressure	200 Psi
Applicable Medium	Water

### DIMENSIONS

SKU	SIZE (mm)	A (mm)	H1 (mm)	L (mm)	WEIGHT (kg)	PCS/CTN
SCCRN015	15	50	80	80	0.300	50
SCCRN020	20	55	90	100	0.490	25
SCCRN025	25	65	110	120	1.275	20

### COMPONENT PARTS

ITEM	PARTS	MATERIAL
1	Screw	Brass
2	Handle	DZR Brass
3	Spindle	DZR Brass
4	Gland Nut	DZR Brass
5	Gland Packing	Teflon
6	Head	DZR Brass
7	Gasket	PTFE
8	Body	DZR Brass
9	Washer Plate	DZR Brass
10	Washer	EPDM
11	Compression Ring	Brass
12	Compression Nut	Brass