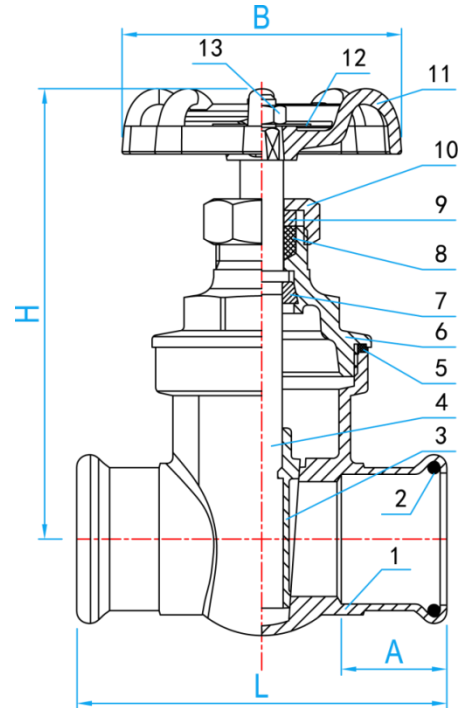
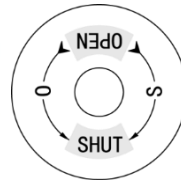


BRASS PRESS FIT GATE VALVE

COMPLY WITH BS5154:1991
 BS EN 12288:2010
 SS375:2015
 SS270:2015
 AS/NZS4020:2018
 BSEN12165:2016


12. Directional Plate
CROSS SECTIONAL VIEW
COMPONENT PARTS

ITEMS	PARTS	MATERIAL
1	Body	DZR Brass
2	O-Ring	EPDM
3	Disk	DZR Brass
4	Stem	DZR Brass
5	Gasket	PTFE
6	Bonnet	DZR Brass
7	Lock Cap	Brass
8	Gland Packing	PTFE
9	Gland	Brass
10	Nut	Brass
11	Hand Wheel	Cast Iron
12	Directional Plate	Aluminum Plate
13	Wheel Nut	Brass

STANDARD SPECIFICATIONS

Working Pressure	PN16
------------------	------

DIMENSIONS

SKU	SIZE (mm)	L (mm)	H (mm)	A (mm)	B (mm)	WEIGHT (kg)	PCS/CTN
GVC RPFN015	15	61.2	70	20	55	0.230	80
GVC RPFN020	20	70.2	82	21	60	0.344	60
GVC RPFN025	25	80.6	95	23	63	0.483	40
GVC RPFN035	35	91.6	112	26	70	0.750	30
GVC RPFN042	42	101	127	30	70	0.938	24
GVC RPFN050	50	117	157	35	85	1.560	12
GVC RPFN065	65	156.2	194	50	110	2.794	6
GVC RPFN080	80	180	230	55	140	4.750	4