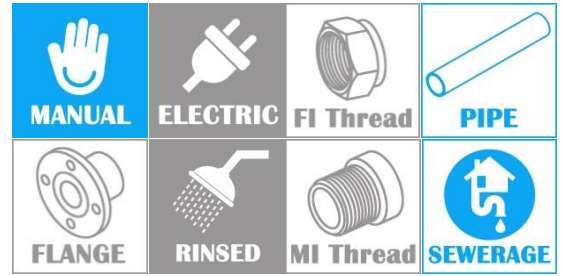


NORIKA HUBLESS PIPE & FITTINGS



CAST IRON HUBLESS PIPE & ACCESS OPENING

COMPLY WITH CISPI 301-12
CISPI 310-12



PIPES



CROSS SECTIONAL VIEW

DIMENSIONS

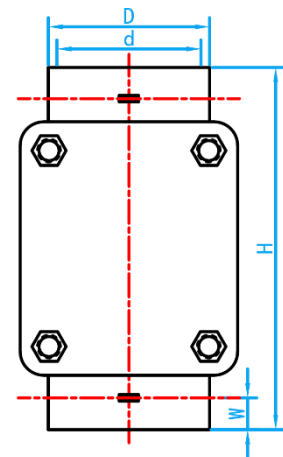
SKU	DN (mm)	D (mm)	d (mm)	L (mm)	WEIGHT (kg)
PIPHUB050	50	59.69±2.29	49.80±2.29	3042±5	14.5
PIPHUB080	75	85.09±2.29	75.20±2.29	3042±5	19.5
PIPHUB100	100	111.25 ^{+2.29} _{-1.27}	100.08±2.29	3042±5	28.2
PIPHUB150	150	160.02 ^{+2.29} _{-1.27}	150.88±2.29	3042±5	45.8
PIPHUB200	200	212.85 ^{+3.30} _{-2.29}	201.68±3.30	3042±5	78.0
PIPHUB250	250	268.22±2.29	254.00±3.30	3042±5	117.0
PIPHUB300	300	317.50±2.29	303.28±3.30	3042±5	130.0

COATING CHARACTERISTIC

Pipes:

- The inner wall of the tube: Black anti-corrosive paint.
- The outer wall of the tube: Special enamel paint.
- Coating Thickness: Internal wall min 40µm, Outer wall min 60µm .

ACCESS OPENING



FRONT VIEW

DIMENSIONS

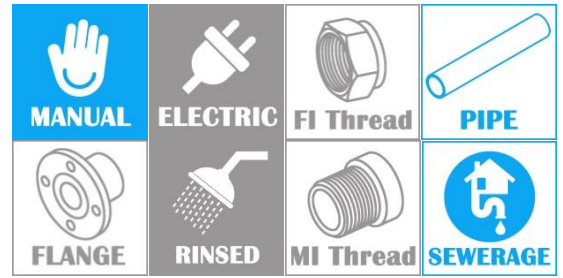
SKU	SIZE (mm)	D (mm)	d (mm)	H (mm)	W (mm)	WEIGHT (kg)
HUBSP050	50	59.59	50.80	300	30	1.86
HUBSP080	75	85.09	76.21	300	30	2.44
HUBSP100	100	111.25	101.6	340	40	7.60
HUBSP150	150	160.02	150.88	400	45	14.50
HUBSP200	200	212.85	201.68	470	50	22.00

COATING CHARACTERISTIC

Fittings:

- Inside and outside: Anti-corrosive paint.
Coating Thickness: Internal wall min 40µm, outer wall min 40µm.

CAST IRON HUBLESS PIPE REDUCER & END CAPS



COMPLY WITH CISPI 301-12

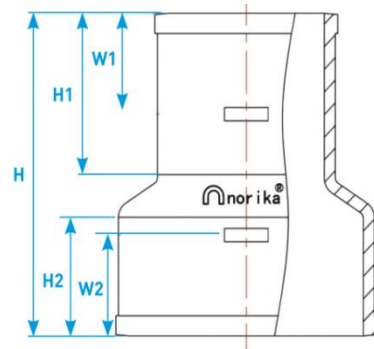
COATING CHARACTERISTIC

Fittings:

Inside and outside: Anti-corrosive paint.

Coating Thickness: Internal wall min 40µm, outer wall min 40µm.

REDUCER



FRONT CROSS SECTIONAL VIEW

DIMENSIONS

SKU	SIZE (mm)	H1 (mm)	H2 (mm)	H (mm)	W1 (mm)	W2 (mm)	WEIGHT(kg)
HUBR08050	80 X 50	42	42	90	30	30	0.68
HUBR10050	100 X 50	42	42	90	30	30	1.00
HUBR10080	100 X 80	42	42	90	30	30	1.05
HUBR15050	150 X 50	42	50	100	30	42	1.70
HUBR15080	150 X 80	42	50	100	30	42	1.82
HUBR150100	150 X 100	42	50	100	30	42	2.09
HUBR20080	200 X 80	42	50	114	30	42	3.50
HUBR200100	200 X 100	49.6	58.5	123.2	38.5	46.6	3.64
HUBR200150	200 X 150	50	59.9	124.1	39	47	3.86
HUBR250100	250 X 100	38	76	140	29	51	6.36
HUBR250150	250 X 150	51	76	152	38	51	6.60
HUBR250200	250 X 200	51	76	152	51	51	6.81

END CAPS



FRONT CROSS SECTIONAL VIEW

DIMENSIONS

SKU	SIZE (mm)	H (mm)	W (mm)	WEIGHT(kg)
HUBEC050	50	45	30	0.32
HUBEC080	75	45	30	0.50
HUBEC100	100	45	30	0.98
HUBEC150	150	45	42	1.82
HUBEC200	200	57.2	51.7	3.05
HUBEC250	250	76	51.8	4.09

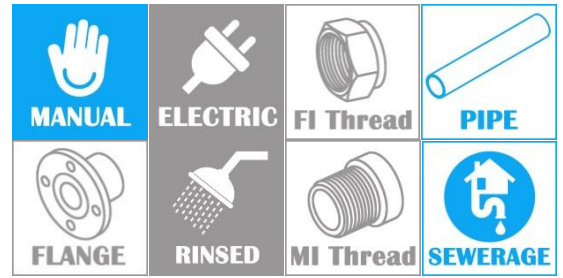
CAST IRON HUBLESS BEND

COMPLY WITH CISPI 301-12

COATING CHARACTERISTIC

Fittings:

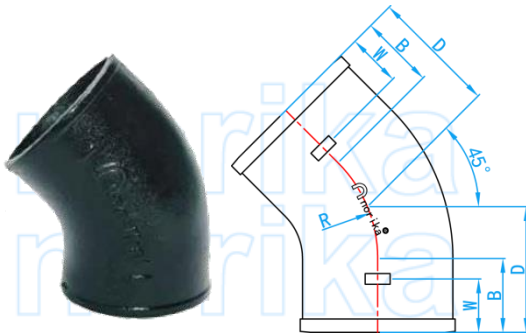
Inside and outside: Anti-corrosive paint.
 Coating Thickness: Internal wall min 40µm,
 Outer wall min 40µm.



45 DEG BEND

DIMENSIONS

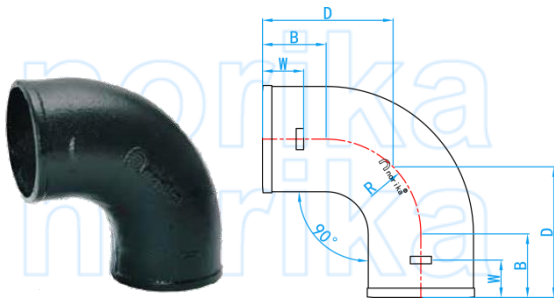
SKU	SIZE (mm)	B (mm)	D (mm)	R (mm)	W (mm)	WEIGHT (kg)
HUBB45050	50	42	70	80	30	0.70
HUBB45080	75	42	75	90	30	1.29
HUBB45100	100	42	80	100	30	1.78
HUBB45150	150	50	102	125	42	3.69
HUBB45200	200	80	107	162	54.8	7.52
HUBB45250	250	105	111	193	45	10.33



90 DEG BEND

DIMENSIONS

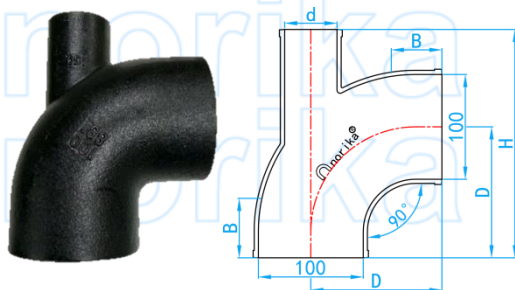
SKU	SIZE (mm)	B (mm)	D (mm)	R (mm)	W (mm)	WEIGHT (kg)
HUBB90050	50	42	115	75	30	1.07
HUBB90080	75	42	125	90	30	1.67
HUBB90100	100	42	140	100	30	2.67
HUBB90150	150	50	175	125	42	5.78
HUBB90200	200	67.7	163	155	53.4	8.89
HUBB90250	250	76.9	257	180	53.4	
HUBB90300	300	76.9	282	205	53.4	32.00



4X2X90 DEG BEND

DIMENSIONS

SKU	SIZE (mm)	B (mm)	D (mm)	d (mm)	H (mm)	WEIGHT (kg)
HUBB9010050	100X50	35	125	50	218	2.27



CAST IRON HUBLESS TEE

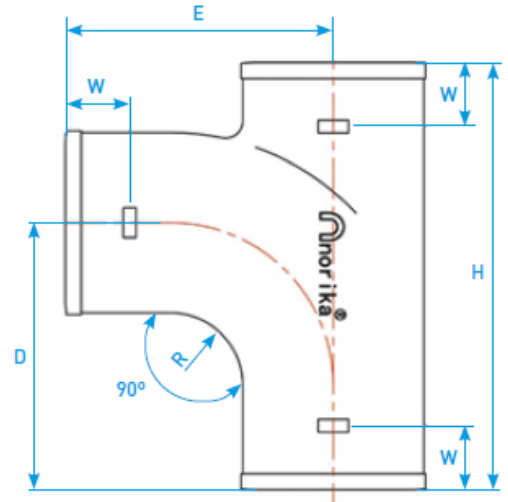
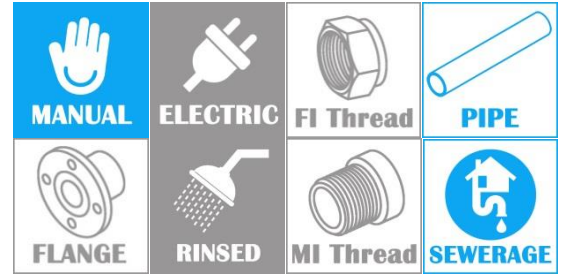
COMPLY WITH CISPI 301-12

COATING CHARACTERISTIC

Fittings:

Inside and outside: Anti-corrosive paint.

Coating Thickness: Internal wall min 40µm, outer wall min 40µm.



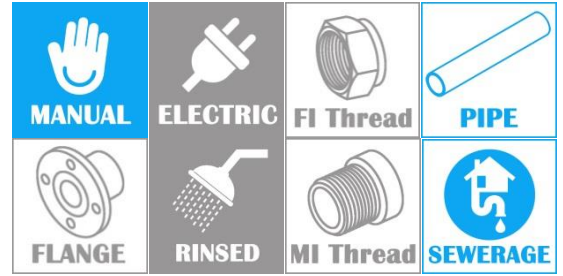
CROSS SECTIONAL VIEW

DIMENSIONS

SKU	SIZE (mm)	D (mm)	E (mm)	H (mm)	R (mm)	W (mm)	WEIGHT (kg)
HUBET050	50	114	114	173	20	30	1.50
HUBRT08050	75X50	115	128	175	46	30	1.91
HUBET080	75	127	125	200	46	30	2.27
HUBRT10050	100X50	110	145	172	21	30	2.73
HUBRT10080	100X75	127	144	203	39	30	3.30
HUBET100	100	138	141	235	45	30	3.64
HUBRT15050	150X50	128	165	208	40	38	4.15
HUBRT15080	150X75	142	168	230	25	40	4.77
HUBRT150100	150X100	142	147	245	25	38	5.80
HUBET150	150	184	183	315	70.5	38	7.10
HUBRT200100	200X100	153	185	270	39	53	8.90
HUBRT200150	200X150	185	183	325	39	53	10.50
HUBET200	200	195	190	370	15	56	11.20
HUBET250	250	244	218	465	15	45	19.30

CAST IRON HUBLESS Y-TEE

COMPLY WITH CISPI 301-12

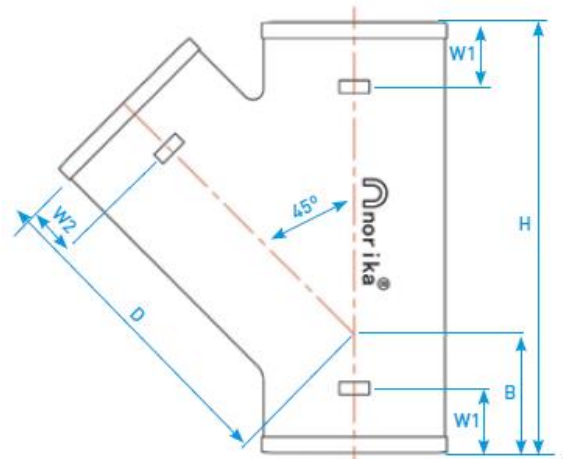


COATING CHARACTERISTIC

Fittings:

Inside and outside: Anti-corrosive paint.

Coating Thickness: Internal wall min 40µm,
outer wall min 40µm.



CROSS SECTIONAL VIEW

DIMENSIONS

SKU	SIZE (mm)	W1 (mm)	W2 (mm)	B (mm)	D (mm)	H (mm)	WEIGHT (kg)
HUBYT050	50	29	29	40	122	165	1.18
HUBYT08050	75X50	29	29	31	132	165	1.82
HUBYT080	75	30	30	55	152	200	2.30
HUBYT10050	100X50	29	29	38	139	168	2.50
HUBYT10080	100X75	30	30	30	170	200	3.27
HUBYT100	100	30	30	64	179	240	4.00
HUBYT15050	150X50	38	38	16	205	312	5.18
HUBYT15080	150X75	38	29	28	230	248	5.64
HUBYT150100	150X100	38	30	55	225	280	7.00
HUBYT150	150	38	38	92	276	362	9.10
HUBYT200100	200X100	52	29	40	255	290	9.91
HUBYT200150	200X150	54	54	62	298	362	12.73
HUBYT200	200	54	54	64	345	435	19.55
HUBYT250	250	54	54	76	419	546	31.20
HUBYT250100	250 X100	54	54	76	297	321	12.18
HUBYT250150	250 X 150	54	54	76	330	392	20.00
HUBYT250200	250 X 200	54	54	76	370	467	25.90

CAST IRON HUBLESS P-TRAP

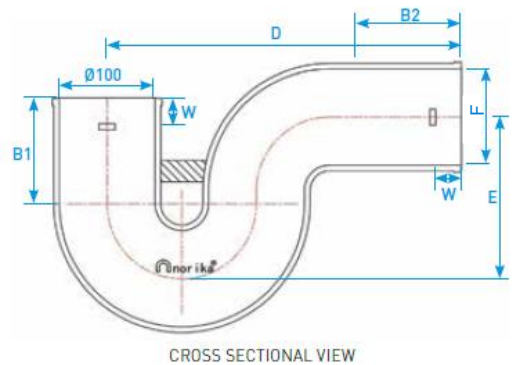
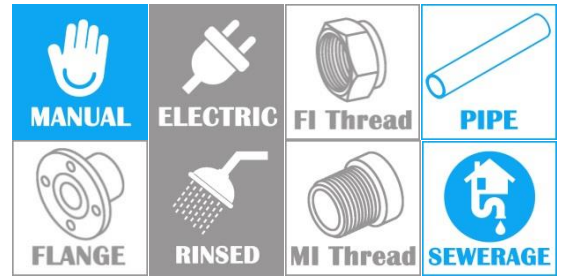
COMPLY WITH CISPI 301-12

COATING CHARACTERISTIC

Fittings:

Inside and outside: Anti-corrosive paint.

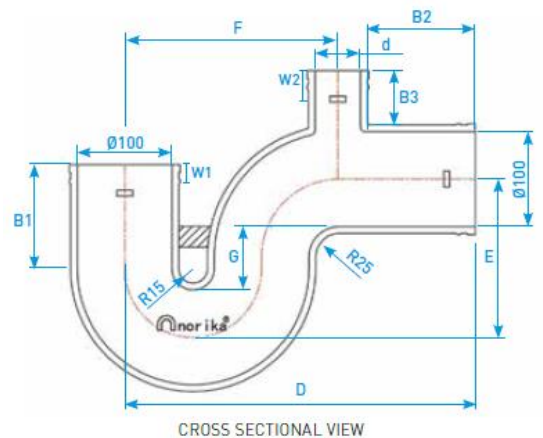
Coating Thickness: Internal wall min 40µm, outer wall min 40µm.



P-TRAP [100mm X 100mm]

DIMENSIONS

SKU	MATERIAL	SIZE (mm)	W (mm)	B1 (mm)	B2 (mm)	D (mm)	E (mm)	F (mm)	WEIGHT (kg)
HUBPT100	CAST IRON	100 X 100	31	110	136	370	168	100	9.36
HUBPT10080	CAST IRON	100 X 80	31	110	136	355	170	80	7.28



P-TRAP [100mm X 100mm X 50mm]

DIMENSIONS

SKU	MATERIAL	SIZE (mm)	B1 (mm)	B2 (mm)	B3 (mm)	D (mm)	d (mm)	E (mm)	F (mm)	G (mm)	W2 (mm)	W1 (mm)	WEIGHT (kg)
HUBPT10050	CAST IRON	100X100X50	110	133	57	370	48	167	225	67	30	30	9.58

CAST IRON HUBLESS S-TRAP

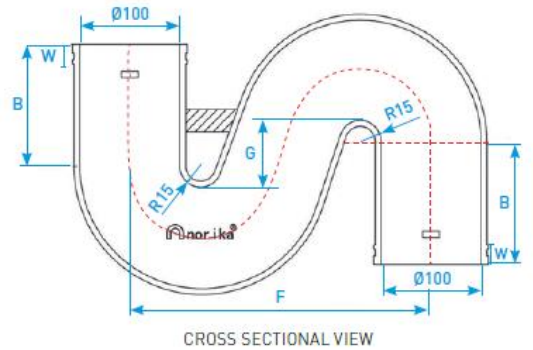
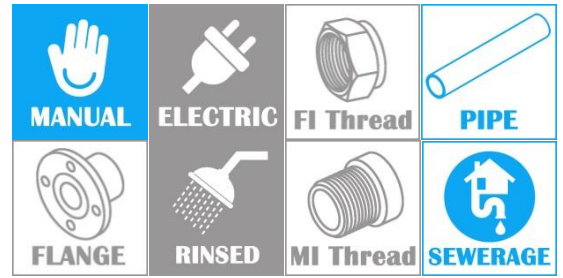
COMPLY WITH CISPI 301-12

COATING CHARACTERISTIC

Fittings:

Inside and outside: Anti-corrosive paint.

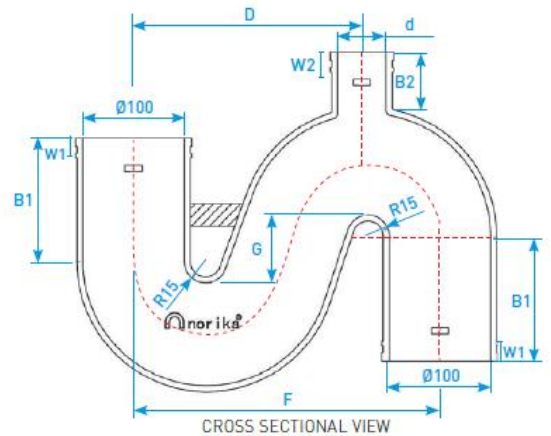
Coating Thickness: Internal wall min 40µm, outer wall min 40µm.



S-TRAP [100mm X 100mm]

DIMENSIONS

SKU	MATERIAL	SIZE (mm)	B (mm)	F (mm)	G (mm)	W (mm)	WEIGHT (kg)
HUBST100	CAST IRON	100X100	122	302	67	32	9.49



S-TRAP [100mm X 100mm X 50mm]

DIMENSIONS

SKU	MATERIAL	SIZE (mm)	B1 (mm)	B2 (mm)	D (mm)	d (mm)	F (mm)	G (mm)	W1 (mm)	W2 (mm)	WEIGHT (kg)
HUBST10050	CAST IRON	100X100X50	122	57	225	48	302	67	31	30	10.89

CAST IRON P & S TRAP

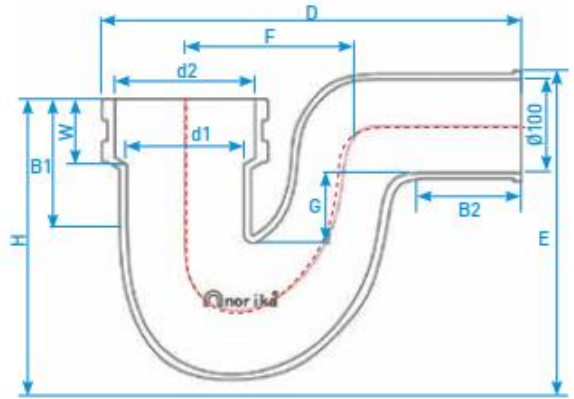
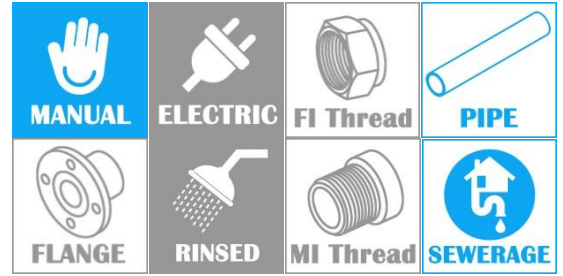
COMPLY WITH CISPI 301-12

COATING CHARACTERISTIC

Fittings:

Inside and outside: Anti-corrosive paint.

Coating Thickness: Internal wall min 40µm,
outer wall min 40µm.

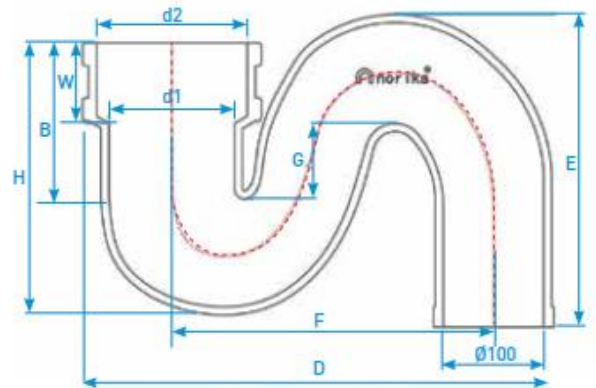


CROSS SECTIONAL VIEW

P - TRAP

DIMENSIONS

SKU	MATERIAL	SIZE (mm)	B1 (mm)	B2 (mm)	D (mm)	d1 (mm)	d2 (mm)	E (mm)	F (mm)	G (mm)	H (mm)	W (mm)	WEIGHT (kg)
CIPT100	CAST IRON	100X100	170	133	440	110	125	280	170	60	285	71	9.55
CIPT150100	CAST IRON	150X100	153	135	449	125	150	330	180	75	300	70	12.20



CROSS SECTIONAL VIEW

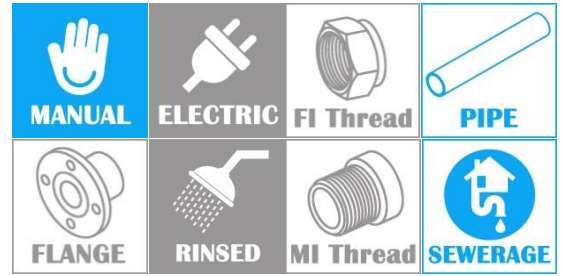
S - TRAP

DIMENSIONS

SKU	MATERIAL	SIZE (mm)	B (mm)	D (mm)	d1 (mm)	d2 (mm)	E (mm)	F (mm)	G (mm)	H (mm)	W (mm)	WEIGHT (kg)
CIST100	CAST IRON	100X100	173	440	110	125	255	305	65	280	72	10.95
CIST150100	CAST IRON	150X100	153	469	125	150	310	310	75	270	80	14.00

CAST IRON HUBLESS CROSS TEE

COMPLY WITH CISPI 301-12

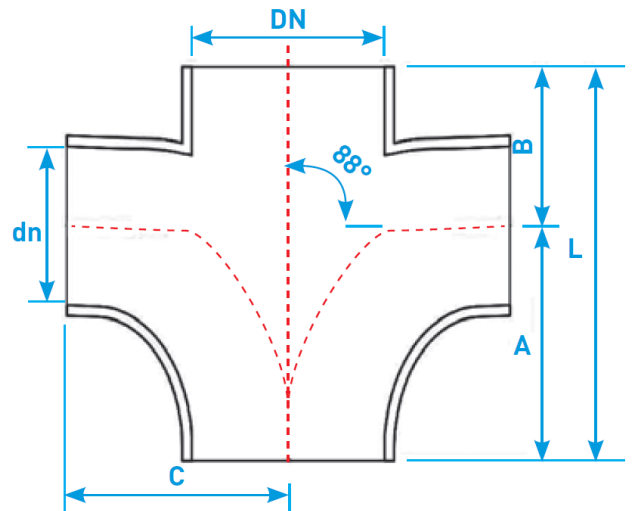


COATING CHARACTERISTIC

Fittings:

Inside and outside: Anti-corrosive paint.

Coating Thickness: Internal wall min 40µm, outer wall min 40µm.



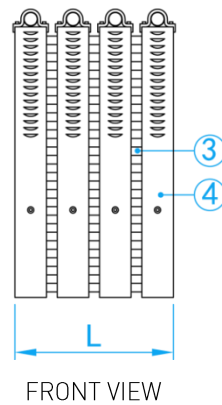
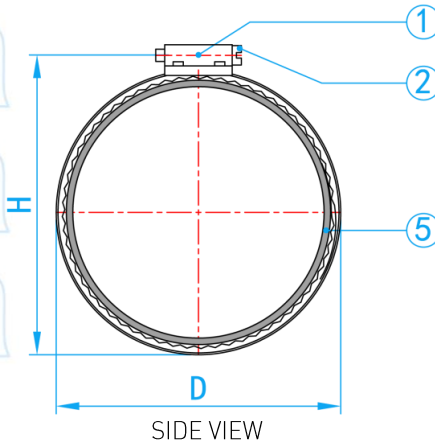
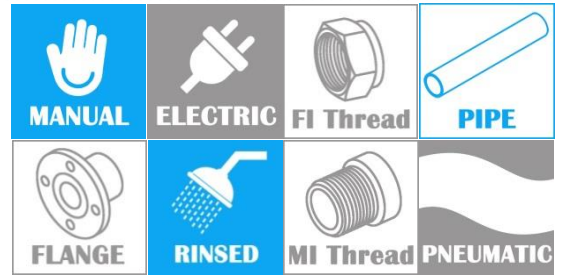
CROSS SECTIONAL VIEW

DIMENSIONS

SKU	DN (mm)	dn (mm)	A (mm)	B (mm)	L (mm)	C (mm)	WEIGHT (kg)
HUBCT10050	101.0	50.1	106.8	77.6	181.6	107.8	2.20
HUBCT10080	101.9	76.8	127.8	74.8	202.9	141.1	2.50
HUBCT100100	100.2	100.4	120.0	110.0	230.0	120.0	3.20
HUBCT150100	149.4	100.1	121.89	111.11	243.0	152.1	7.10

STAINLESS STEEL 304 TYPE A HUBLESS CLIPS

COMPLY WITH CISPI 310-12
EN 877:2010



INSTALLATION ASSEMBLY

COMPONENT PARTS

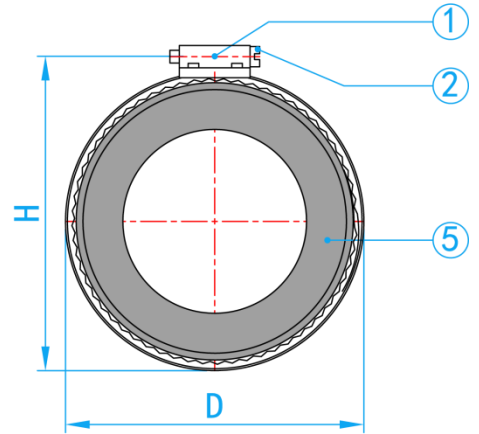
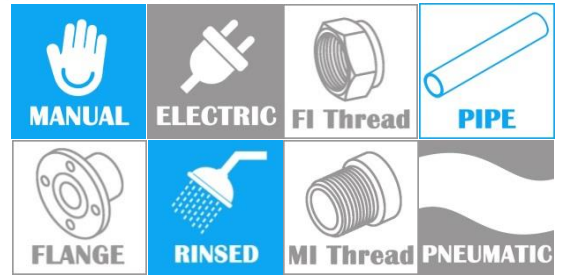
ITEM	PARTS	MATERIAL
1	Housing	AISI304
2	Worm Screw	AISI304
3	Worm Drive Band	AISI304
4	Shield	AISI304
5	Gasket	EPDM

STANDARD SPECIFICATIONS

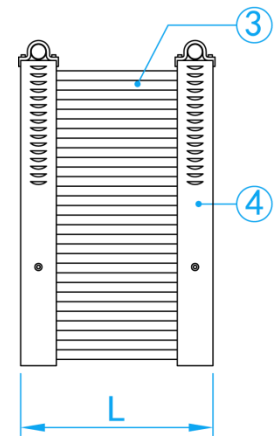
SKU	SIZE (mm)	Shield With L (mm)	Shield Thickness (mm)	Clamp Width (mm)	No. Clamps	H (mm)	D (mm)	Bolt Size (inch)	Pressure (BAR)	Install Torque (Nm)	Weight (kg)	PCS/CTN										
HUBC050	50	54	0.18	14.2	2	81.2	72	SS304 5/16 Slotted Hex Head worm Screw	0.5	7.5	0.13	100										
HUBC080	75	54			2	105.7	96.5						0.16	100								
HUBC100	100	54			2	130	121								0.20	100						
HUBC150	150	76			4	184	175										0.47	50				
HUBC200	200	100			4	239	230												0.69	30		
HUBC250	250	100			4	309	300														0.86	20
HUBC300	300	138			6	359	350															

STAINLESS STEEL TYPE A REDUCING HUBLESS CLIPS

COMPLY WITH CISPI 310-2012
EN877:2010



SIDE VIEW



FRONT VIEW

INSTALLATION ASSEMBLY

COMPONENT PARTS

ITEM	PARTS	MATERIAL
1	Housing	Stainless Steel 304
2	Worm Screw	Stainless Steel 304
3	Worm Drive Band	Stainless Steel 304
4	Shield	Stainless Steel 304
5	Gasket	EPDM

STANDARD SPECIFICATIONS

SKU	SIZE (mm)	L (mm)	H (mm)	D (mm)	BOLT	BAR	Install Torque (Nm)	WEIGHT (kg)	PCS/CTN
HUBC05042	50 x 42	54	81.2	72	SS304 5/16 Slotted Hex Head Worm Screw	0.5	7.5	0.15	100
HUBC08050	75 x 50	54	105.7	96.5	SS304 5/16 Slotted Hex Head Worm Screw		7.5	0.26	100
HUBC10050	100 x 50	54	130	121	SS304 5/16 Slotted Hex Head Worm Screw		7.5	0.46	100
HUBC10080	100 x 75	54	130	121	SS304 5/16 Slotted Hex Head Worm Screw		7.5	0.51	100

Built For Water



Main Office

133 Kitchener Road
Singapore 208517

Mon-Fri: 8:00am - 5:30pm
Sat: 8:00am - 1:00pm
Sun & PH: Closed

North Office

10 Admiralty Street, North
Link Building #02-45
Singapore 757695

Mon-Fri: 8:00am - 5:00pm
Sat: 8:00am - 1:00pm
Sun & PH: Closed