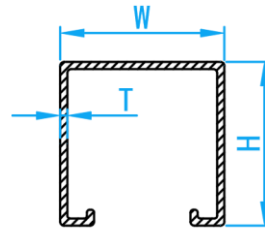
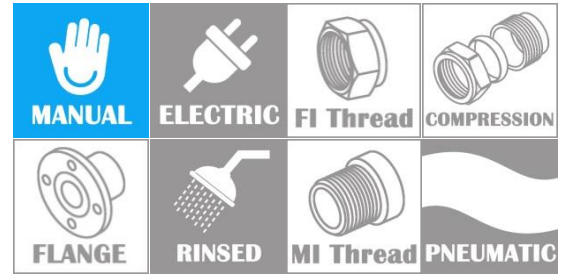


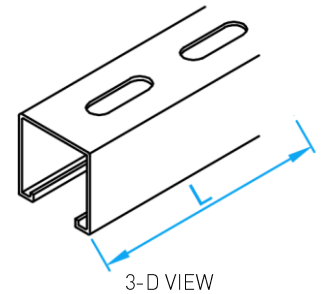
NORIKA UNISTRUT ACCESSORIES



UNISTRUT CHANNEL



CROSS SECTIONAL VIEW



3-D VIEW

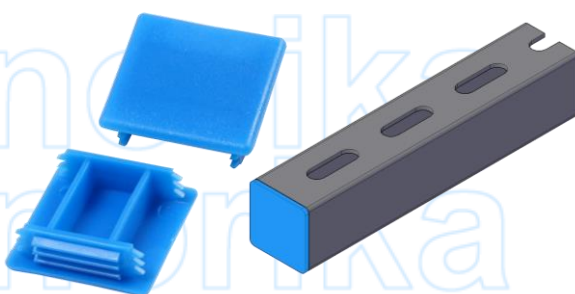
STANDARD SPECIFICATIONS

Material	Rolled Pre-galvanised Steel Channel Sections
----------	--

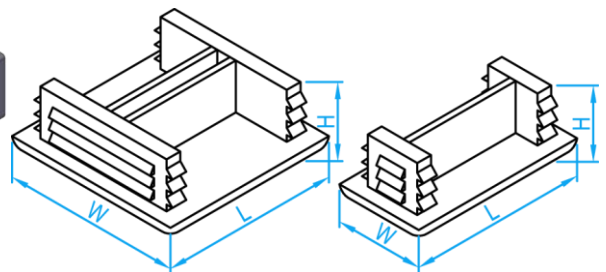
DIMENSIONS

SKU	Hole (mm)	W(mm)	H (mm)	L (mm)	T(mm)	WEIGHT (kg)
OL4141SL	With Hole	41.3	41	6000	2.5	15.40
OL4141SL-3M	With Hole	41.3	41	3000	2.5	7.70
OL4141	Without Hole	41.3	41	6000	2.5	15.40
OL4141-3M	Without Hole	41.3	41	3000	2.5	7.70
OL4121SL	With Hole	41.3	21	6000	2.5	10.30
OL4121SL-3M	With Hole	41.3	21	3000	2.5	5.20
OL4121	Without Hole	41.3	21	6000	2.5	10.30
OL4121-3M	Without Hole	41.3	21	3000	2.5	5.20

UNISTRUT CHANNEL PVC END CAP



INSTALLATION ASSEMBLY

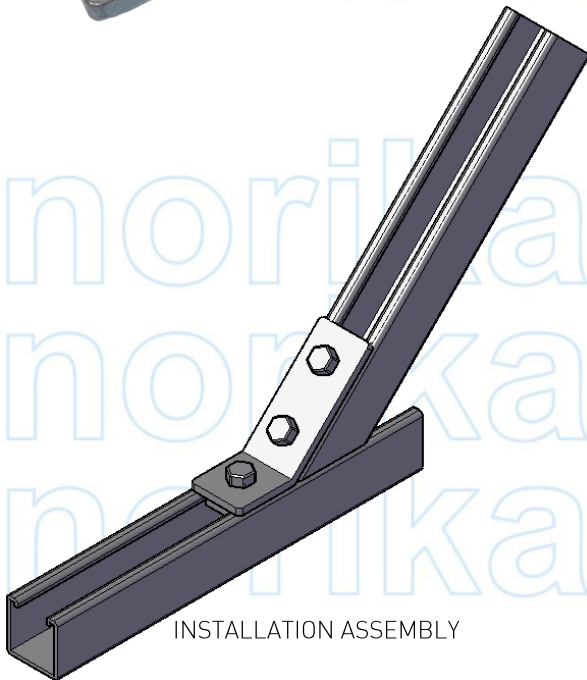
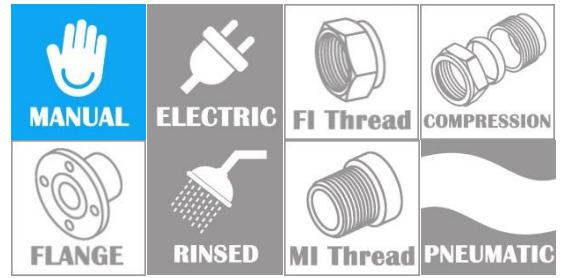


3-D VIEW

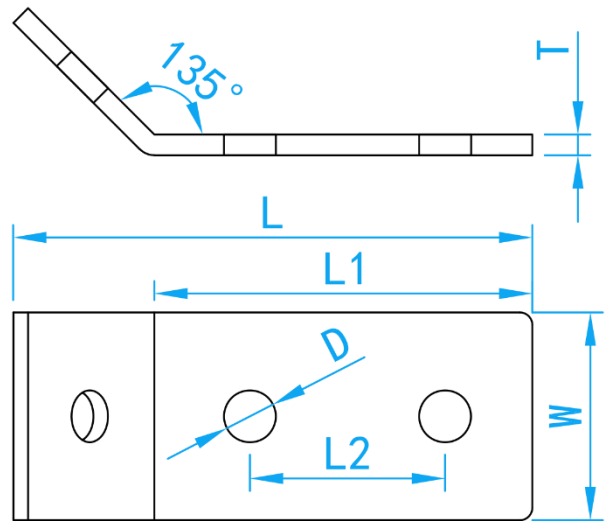
DIMENSIONS

SKU	Material	L(mm)	W (mm)	H (mm)	WEIGHT (kg)	PCS/CTN
OLEC41	PVC	41.0	41.0	12.0	0.0060	600
OLEC21	PVC	21.0	42.0	12.3	0.0028	500

UNISTRUT 45° MOUNTING BRACKET



INSTALLATION ASSEMBLY



SIDE VIEW

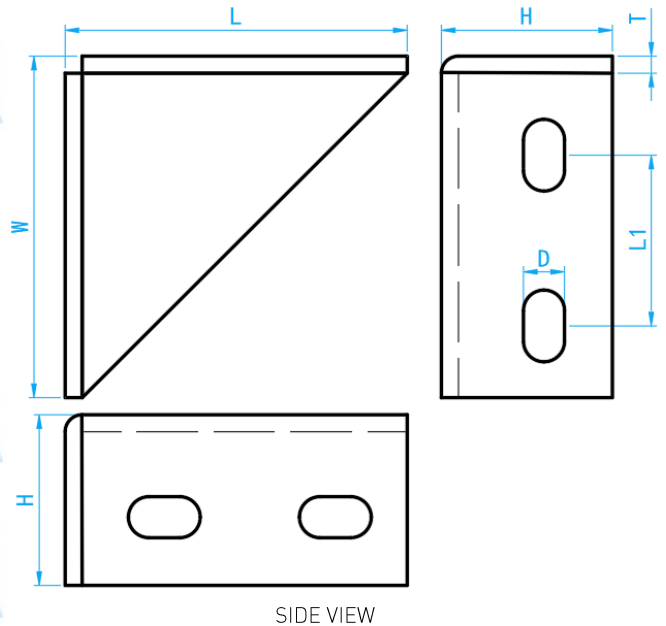
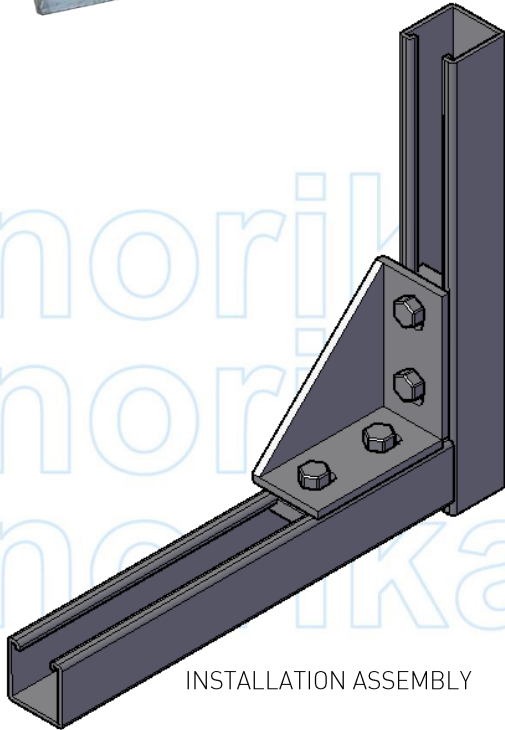
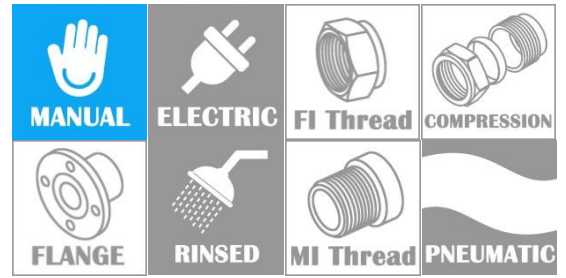
COMPONENT PARTS

MATERIAL	Mild Steel
COATING	Cold Galvanized

DIMENSIONS

SKU	L (mm)	L1 (mm)	L2 (mm)	W (mm)	D (mm)	T (mm)	WEIGHT (kg)	PCS/CTN
OLSBA09045	125	91	47	40	12.5	5	0.192	100

UNISTRUT 90° CORNER MOUNTING BRACKET



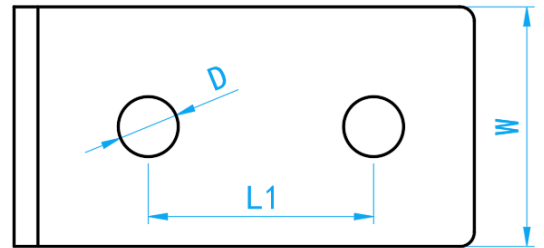
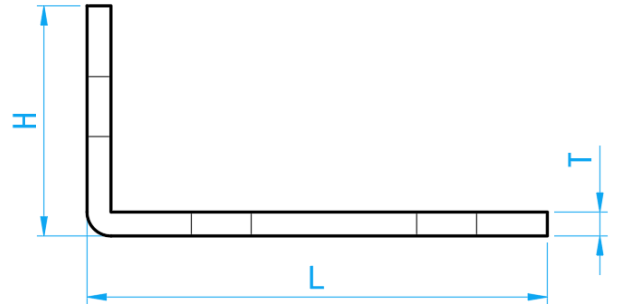
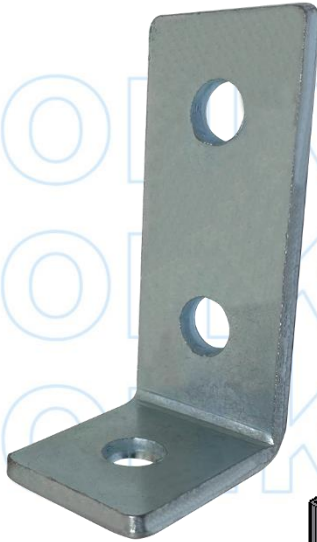
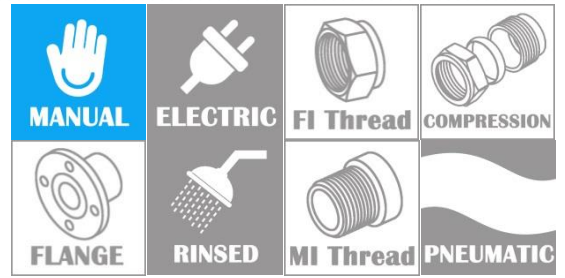
COMPONENT PARTS

MATERIAL	Mild Steel
COATING	Cold Galvanized

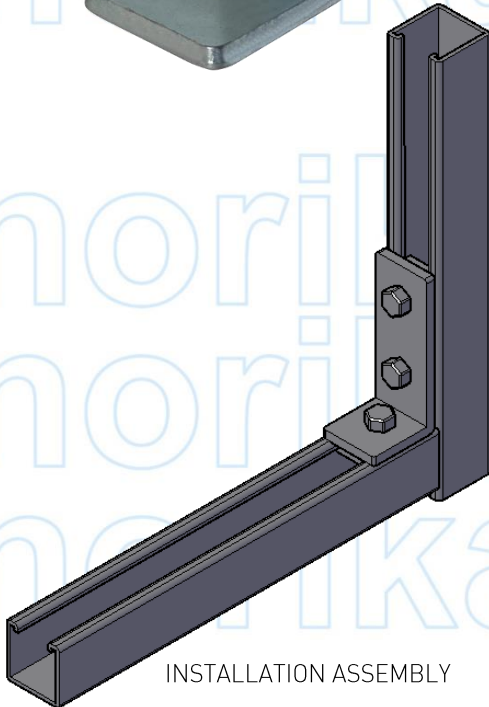
DIMENSIONS

SKU	Material	L (mm)	L1 (mm)	H (mm)	W (mm)	D (mm)	T (mm)	WEIGHT (kg)	PCS/CTN
OLSACB	Cold Galvanized	100	50	50	100	12	5	0.428	50

UNISTRUT 90° MOUNTING BRACKET



SIDE VIEW



INSTALLATION ASSEMBLY

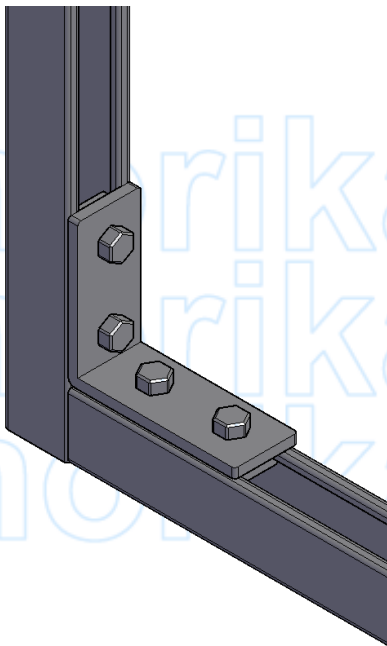
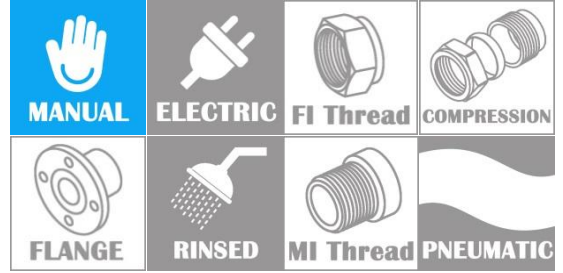
COMPONENT PARTS

MATERIAL	Mild Steel
COATING	Cold Galvanized

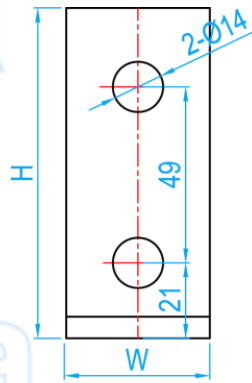
DIMENSIONS

SKU	L (mm)	L1 (mm)	H (mm)	W (mm)	D (mm)	T (mm)	WEIGHT (kg)	PCS/CTN
OLSBA090	96	47	48	40	12.5	5	0.192	100

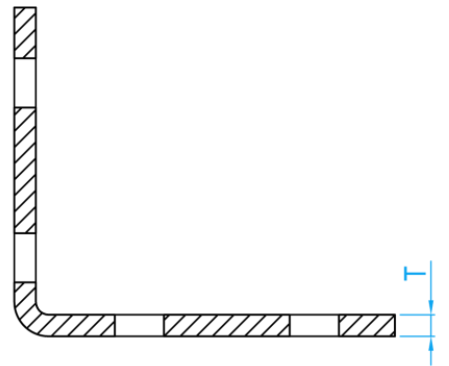
UNISTRUT SLOTTED ANGLE BRACKET



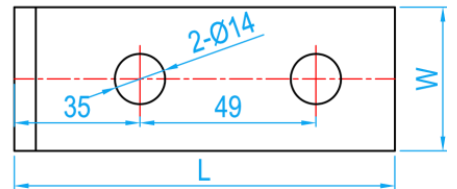
INSTALLATION ASSEMBLY



SIDE VIEW



CROSS SECTIONAL VIEW



SIDE VIEW

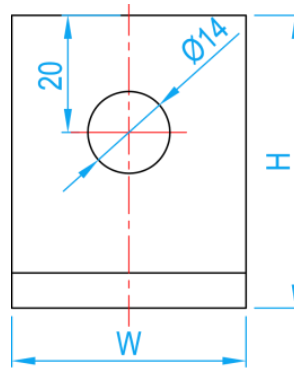
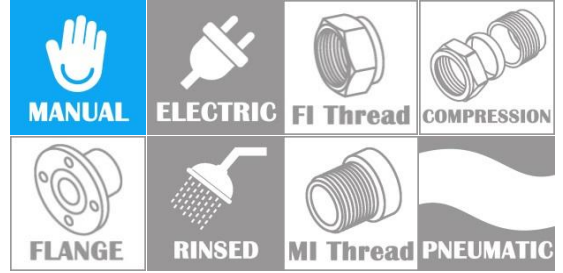
COMPONENT PARTS

MATERIAL	Mild Steel
COATING	Cold Galvanized

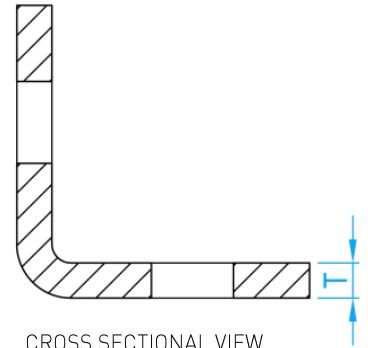
DIMENSIONS

SKU	W (mm)	H (mm)	L (mm)	T (mm)	WEIGHT (kg)	PCS/CTN
OLSBA100	40	92	106	6	0.300	50

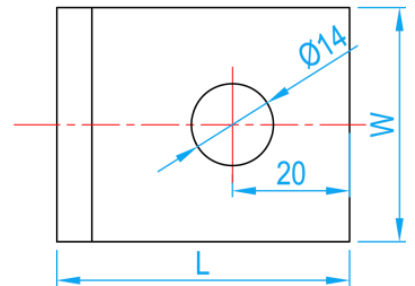
UNISTRUT SLOTTED BRACKET



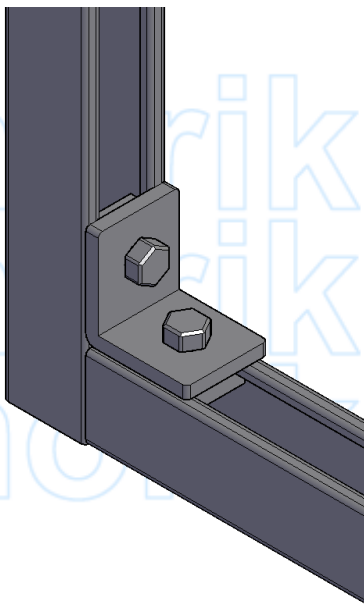
SIDE VIEW



CROSS SECTIONAL VIEW



SIDE VIEW

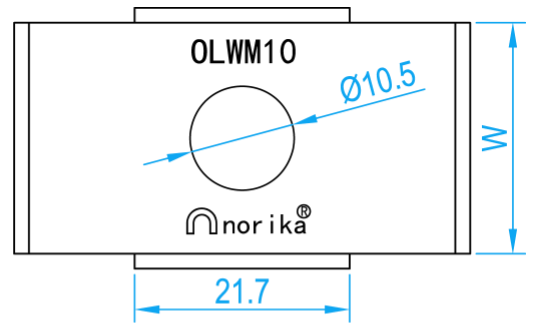
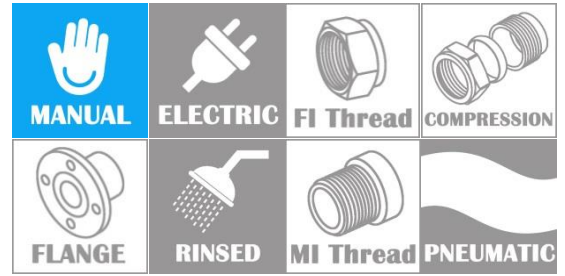


INSTALLATION ASSEMBLY

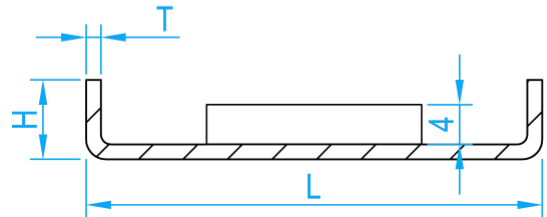
COMPONENT PARTS	
MATERIAL	Mild Steel
COATING	Cold Galvanized

DIMENSIONS						
SKU	W (mm)	H (mm)	L (mm)	T (mm)	WEIGHT (kg)	PCS/CTN
OLSBA50	40	50	50	6	0.145	100

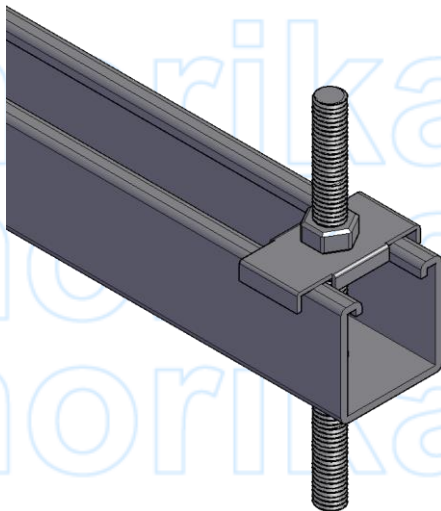
UNISTRUT HOLDING BRACKET



TOP VIEW



CROSS SECTIONAL VIEW



INSTALLATION ASSEMBLY

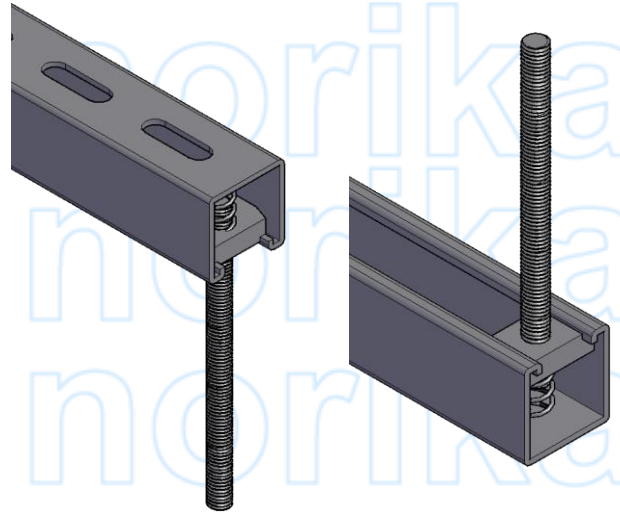
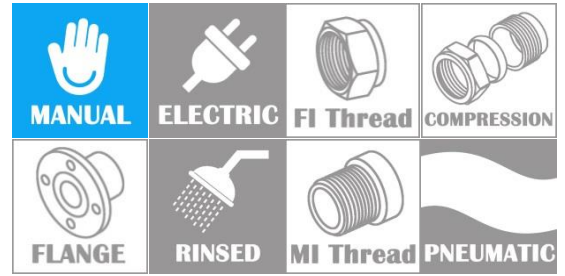
COMPONENT PARTS

MATERIAL	Mild Steel
COATING	Cold Galvanized

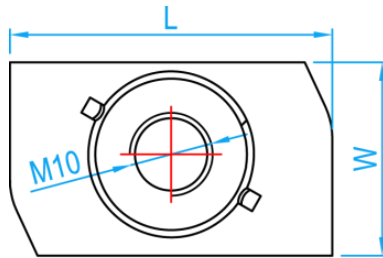
DIMENSIONS

SKU	W (mm)	H (mm)	L (mm)	T (mm)	WEIGHT (kg)	PCS/CTN
OLHB21	23.3	7	50	1.5	0.017	1000

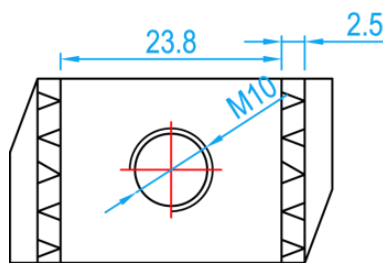
UNISTRUT LONG SPRING CHANNEL NUT



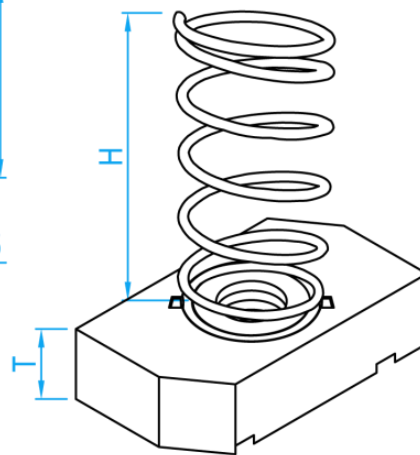
INSTALLATION ASSEMBLY



TOP VIEW



BOTOM VIEW



3-D VIEW

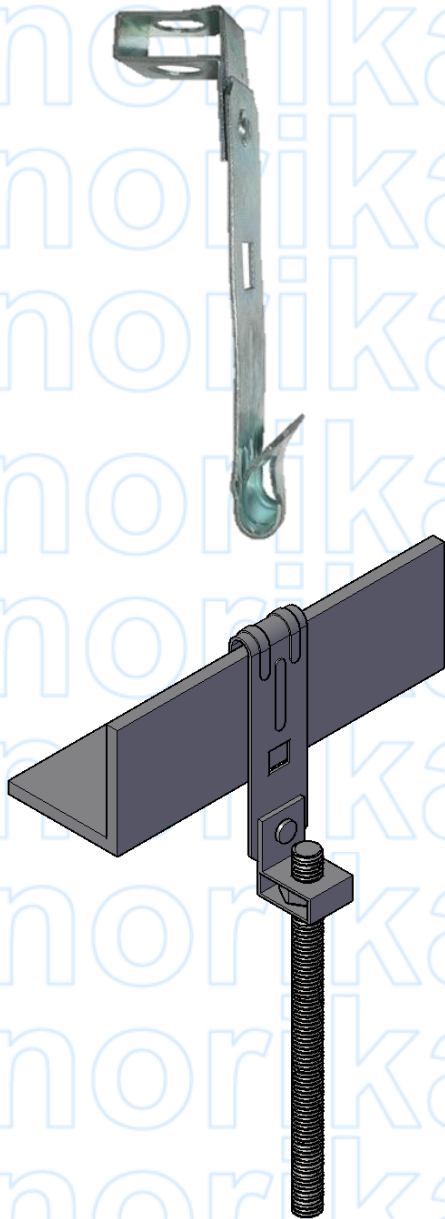
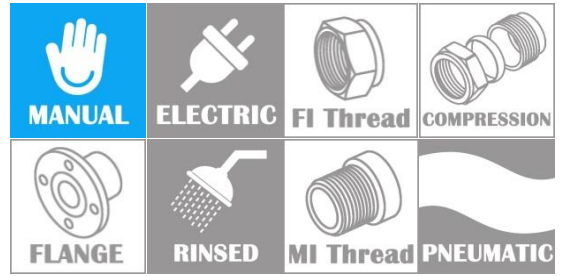
COMPONENT PARTS

MATERIAL	Mild Steel
COATING	Cold Galvanized

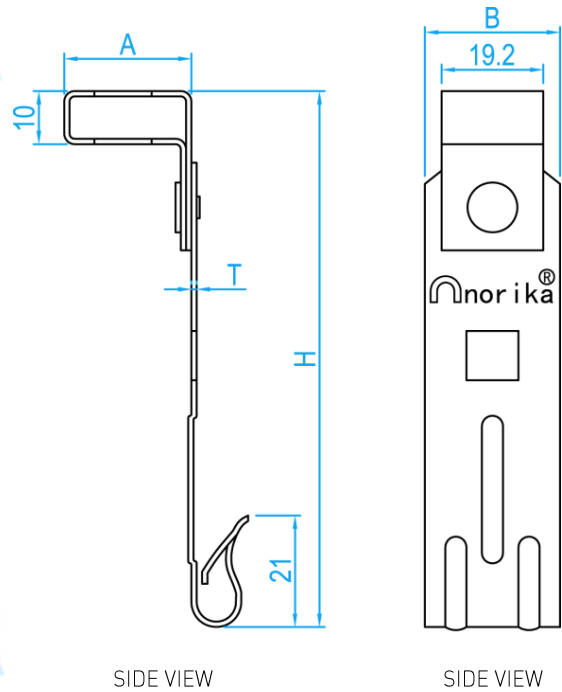
DIMENSIONS

SKU	W (mm)	H (mm)	L (mm)	T (mm)	WEIGHT (kg)	PCS/CTN
OLSNM10	21	36	35	9.5	0.046	400

UNISTRUT F CLIP



INSTALLATION ASSEMBLY



SIDE VIEW

SIDE VIEW

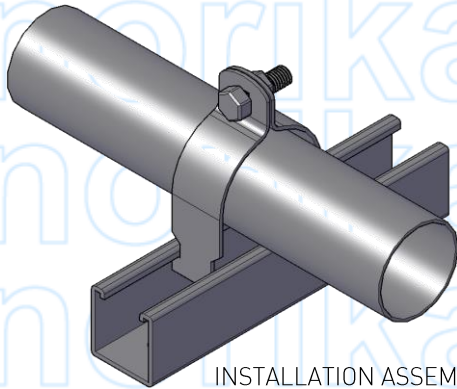
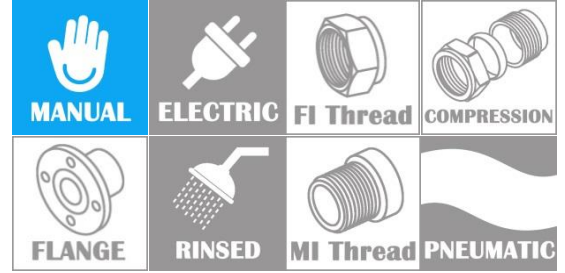
COMPONENT PARTS

MATERIAL	Mild Steel
COATING	Cold Galvanized

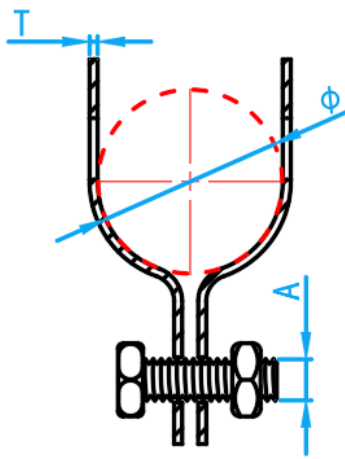
DIMENSIONS

SKU	A (mm)	B (mm)	H (mm)	T (mm)	WEIGHT (kg)	PCS/CTN
OLFCB	24.0	25.5	101.0	1.0	0.035	500

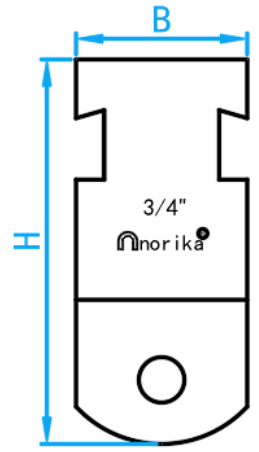
UNISTRUT CLAMP (TWO HALF PIECES WITH SCREW NUT)



INSTALLATION ASSEMBLY



CROSS SECTIONAL VIEW



SIDE VIEW

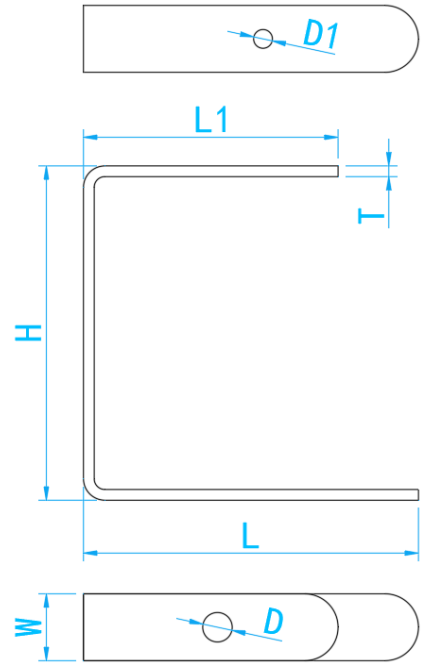
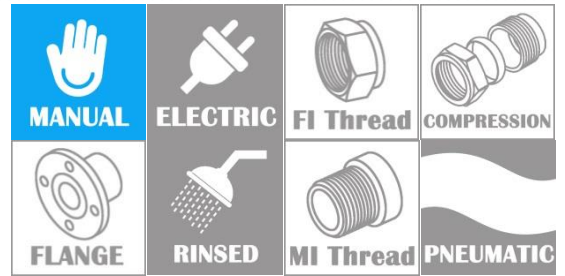
COMPONENT PARTS

MATERIAL	Mild Steel
COATING	Cold Galvanized

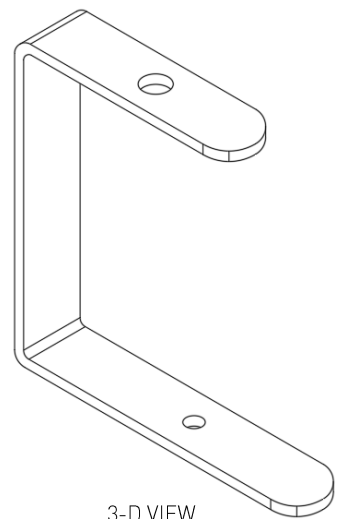
DIMENSIONS

SKU	∅ (mm)	A (mm)	B (mm)	H (mm)	T (mm)	WEIGHT (kg)	PCS/CTN
OLSC015	21.0	M6*25	32.0	64.0	1.1	0.035	600
OLSC020	27.0		32.0	72.0	1.1	0.040	500
OLSC025	33.5		32.0	72.0	1.1	0.044	500
OLSC035	42.3		32.0	82.0	1.5	0.067	400
OLSC040	48.0		32.0	95.0	1.5	0.071	300
OLSC050	60.0	M8*30	32.0	105.0	2.0	0.124	220
OLSC065	75.5		32.0	115.0	2.0	0.145	200
OLSC080	88.5		32.0	134.0	2.0	0.165	180
OLSC100	114.0		32.0	158.0	2.0	0.195	120
OLSC150	165.0		32.0	205.0	2.5	0.326	85
OLSC200	219.0	M8*40	32.0	265.0	2.5	0.408	60
OLSC250	273.0		32.0	325.0	2.5	0.500	40
OLSC300	324.0		32.0	380.0	2.5	0.575	40

UNISTRUT C TYPE BRACKET (FOR CABLE TRAY)



SIDE VIEW



3-D VIEW

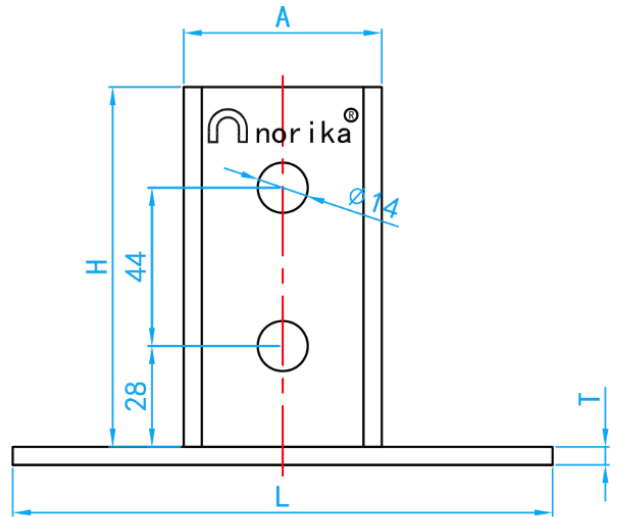
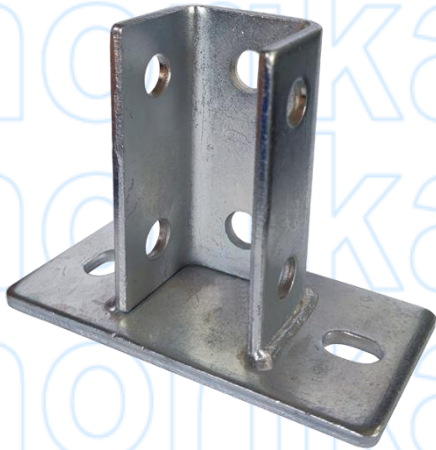
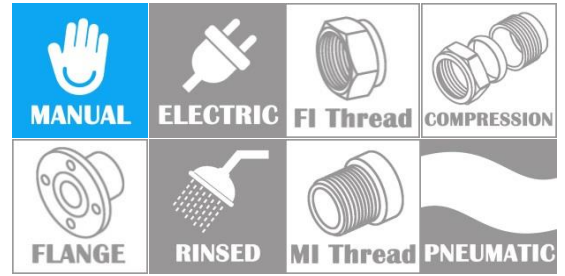
COMPONENT PARTS

MATERIAL	Mild Steel
COATING	Cold Galvanized

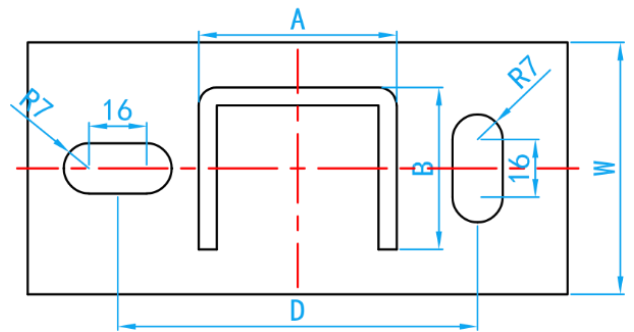
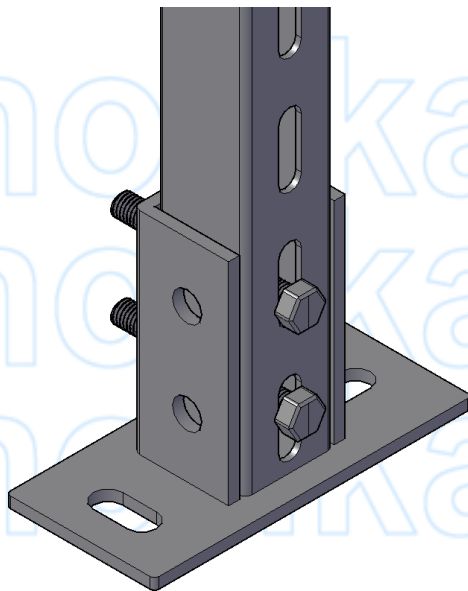
DIMENSIONS

SKU	Material	L (mm)	L1 (mm)	H (mm)	W (mm)	D (mm)	D1 (inch)	T (mm)	WEIGHT (kg)	PCS/CTN
OLCTB	Cold Galvanized	125	95	125	25	11	7	4	0.2463	60

UNISTRUT END SUPPORT BRACKET



SIDE VIEW



TOP VIEW

INSTALLATION ASSEMBLY

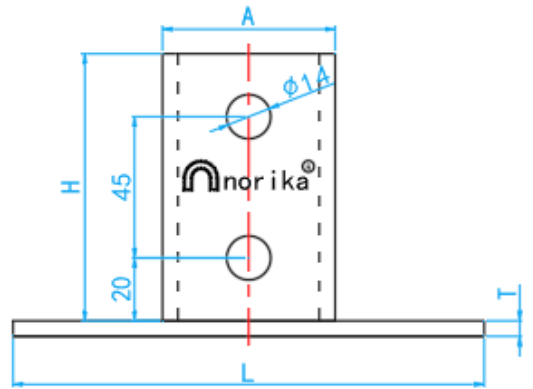
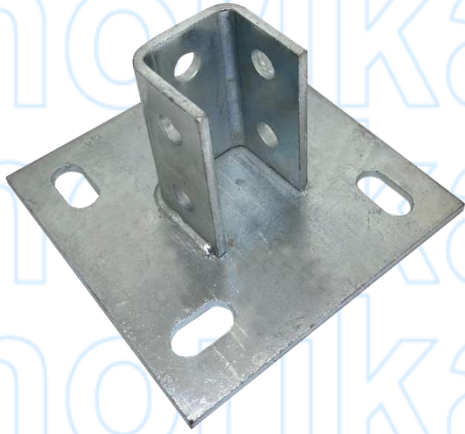
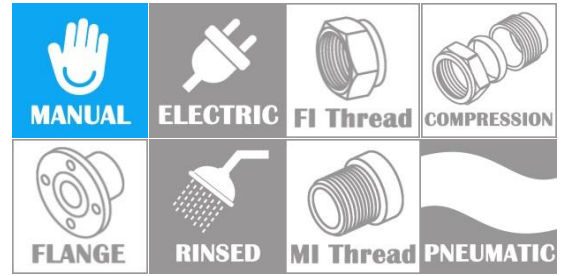
COMPONENT PARTS

MATERIAL	Mild Steel
COATING	Cold Galvanized

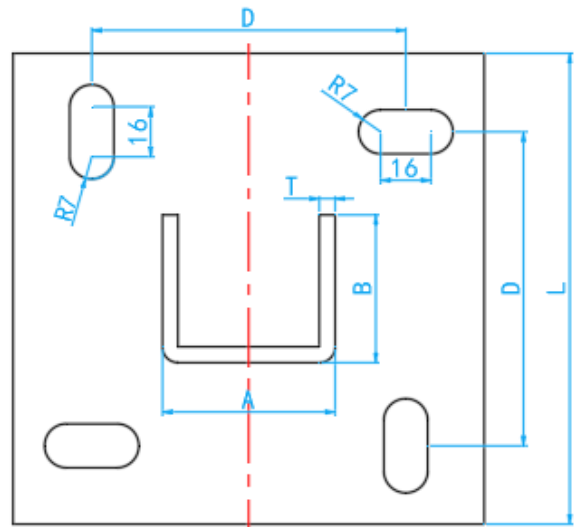
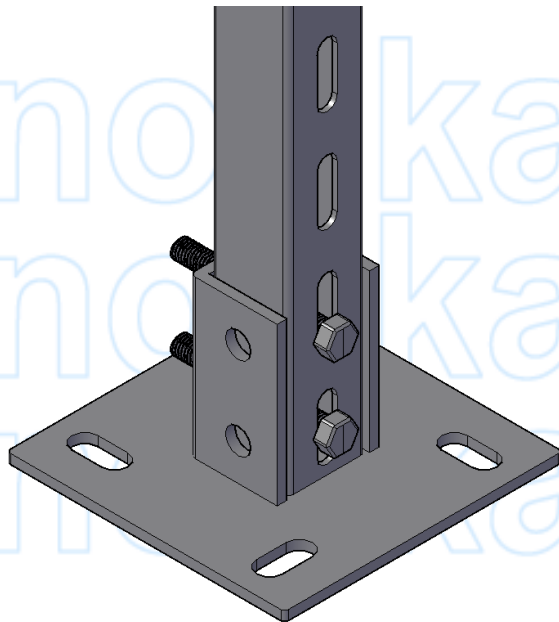
DIMENSIONS

SKU	L (mm)	W (mm)	T (mm)	H (mm)	A (mm)	B (mm)	D (mm)	WEIGHT (kg)	PCS/CTN
OLES4141	150	70	5	100	55	45	100	0.825	40

UNISTRUT END BIG SUPPORT BRACKET



SIDE VIEW



TOP VIEW

INSTALLATION ASSEMBLY

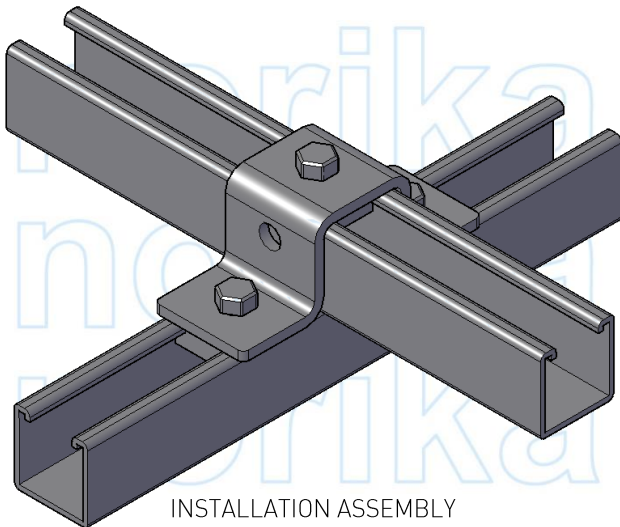
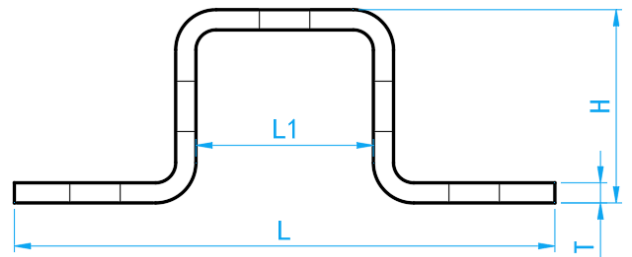
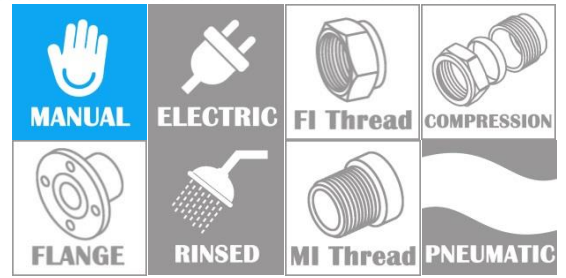
COMPONENT PARTS

MATERIAL	Mild Steel
COATING	Cold Galvanized

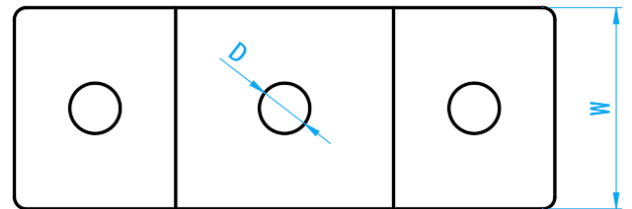
DIMENSIONS

SKU	L (mm)	T (mm)	H (mm)	A (mm)	B (mm)	D (mm)	WEIGHT (kg)	PCS/CTN
OLESB4141	150 x 150	5	85	55	47	100	1.21	20

UNISTRUT U-SHAPED CONNECTOR BRACKET



INSTALLATION ASSEMBLY



SIDE VIEW

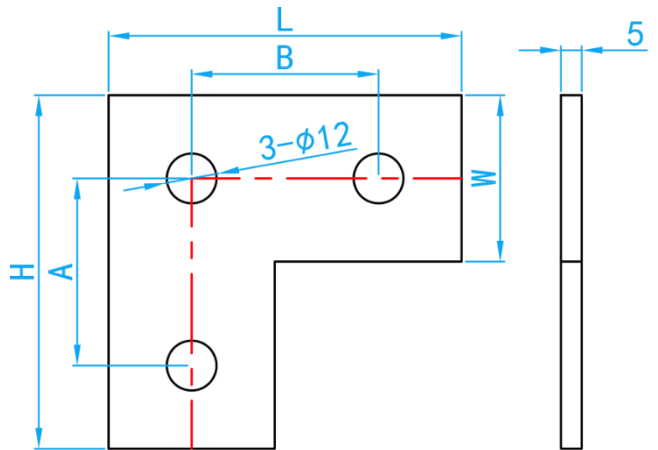
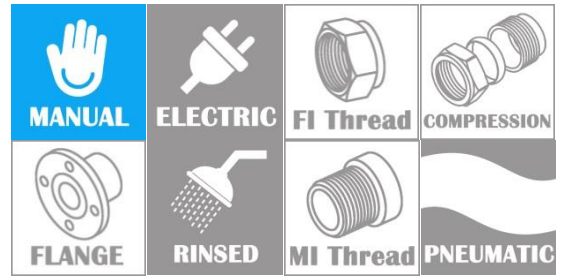
COMPONENT PARTS

MATERIAL	Mild Steel
COATING	Cold Galvanized

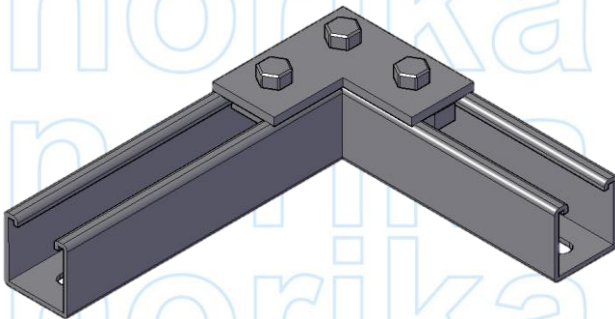
DIMENSIONS

SKU	L (mm)	L1 (mm)	H (mm)	W (mm)	D (mm)	T (mm)	WEIGHT (kg)	PCS/CTN
OLCB4141	134	44	48	40	12.5	5	0.272	100

UNISTRUT FLAT L PLATE BRACKET



SIDE VIEW



INSTALLATION ASSEMBLY

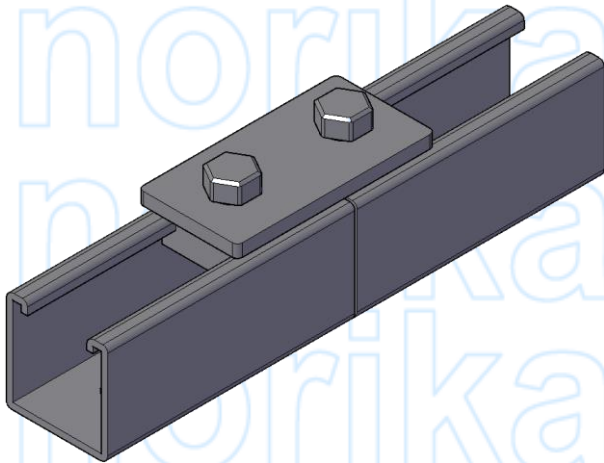
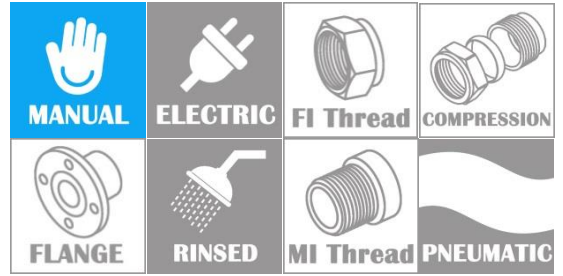
COMPONENT PARTS

MATERIAL	Mild Steel
COATING	Cold Galvanized

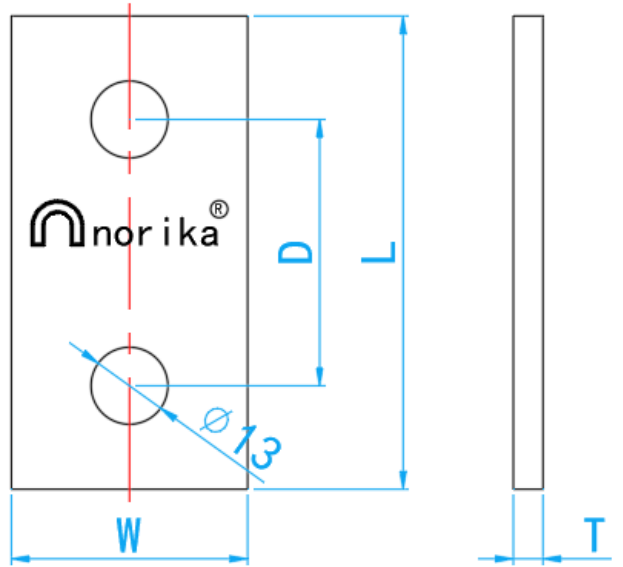
DIMENSIONS

SKU	H (mm)	A (mm)	L (mm)	B (mm)	HOLE D (mm)	W (mm)	T (mm)	WEIGHT (kg)	PCS/CTN
OLFLP	85	45	85	45	12	40	5	0.173	100

UNISTRUT 2 HOLE SLOTTED SPLICE PLATE



INSTALLATION ASSEMBLY



TOP VIEW

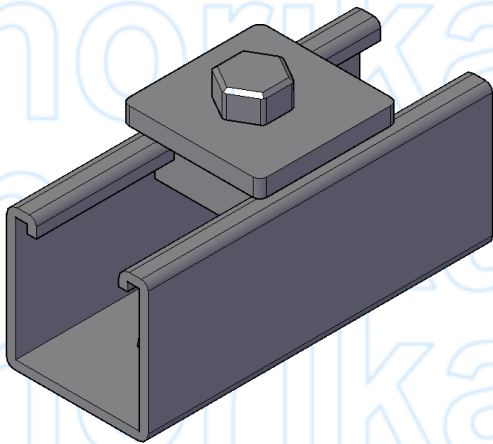
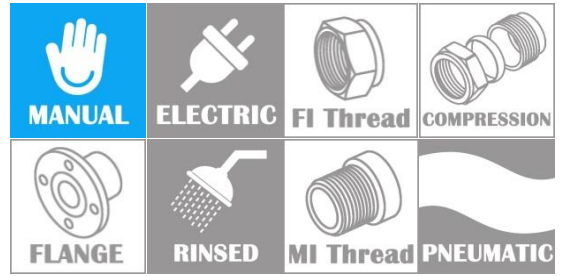
COMPONENT PARTS

MATERIAL	Mild Steel
COATING	Cold Galvanized

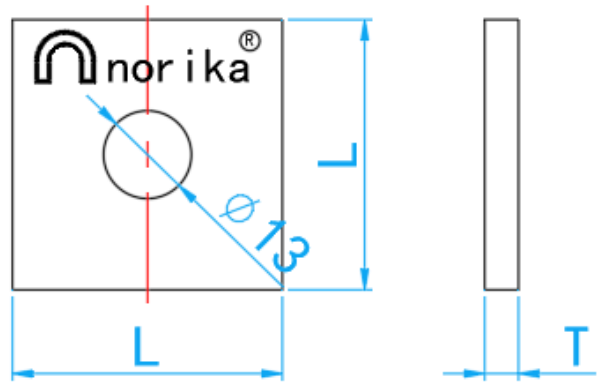
DIMENSIONS

SKU	L (mm)	W (mm)	T (mm)	D (mm)	WEIGHT (kg)	PCS/CTN
OLSB1065	80	40	5	45	0.11	1000

UNISTRUT HOLDING WASHER



INSTALLATION ASSEMBLY



TOP VIEW

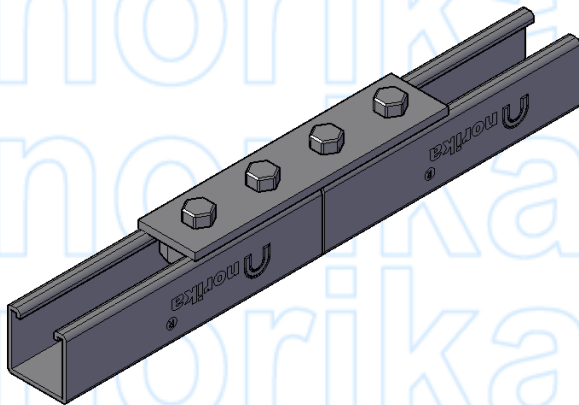
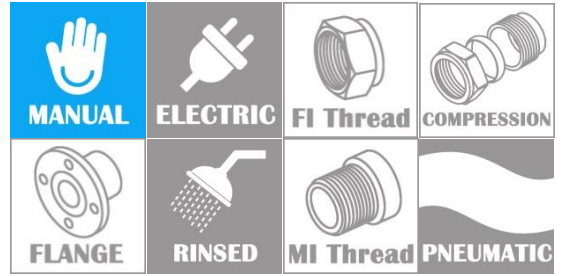
COMPONENT PARTS

MATERIAL	Mild Steel
COATING	Cold Galvanized

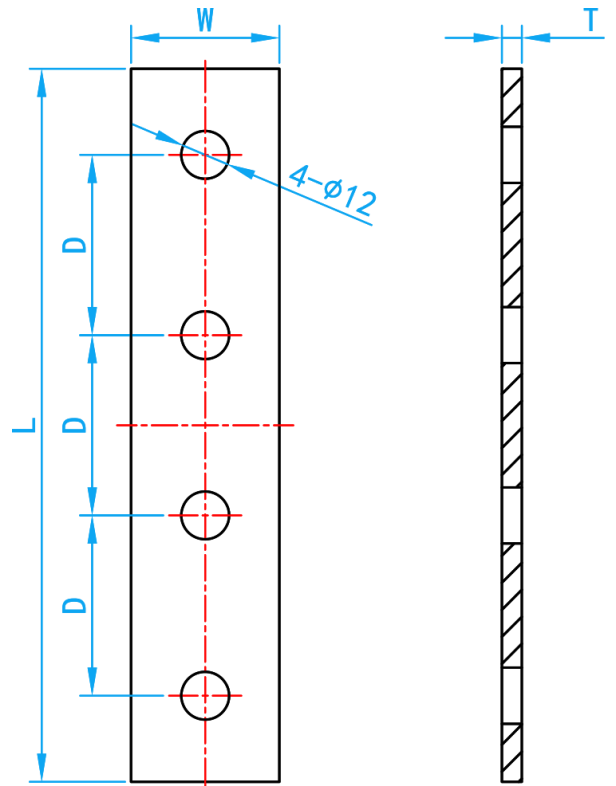
DIMENSIONS

SKU	L (mm)	T (mm)	WEIGHT (kg)	PCS/CTN
OLW4040	40	5	0.055	200

UNISTRUT 4 HOLE SLOTTED SPLICE PLATE



INSTALLATION ASSEMBLY



TOP VIEW

SECTION VIEW

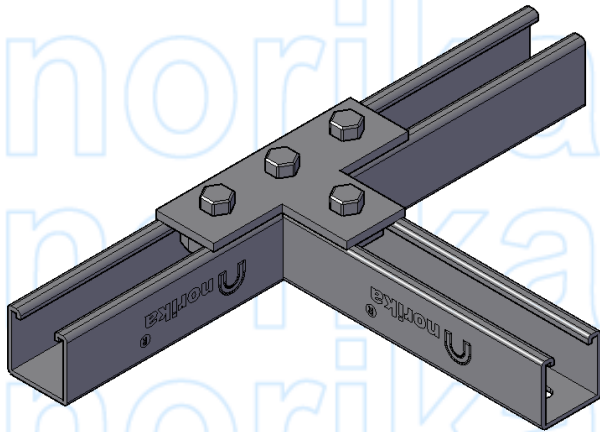
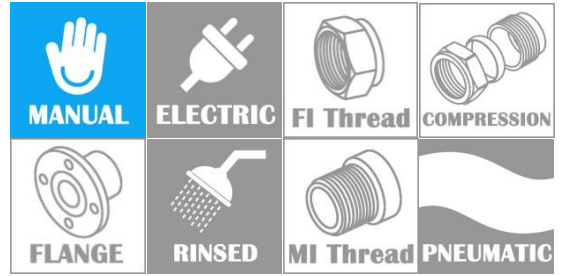
COMPONENT PARTS

MATERIAL	Mild Steel
COATING	Cold Galvanized

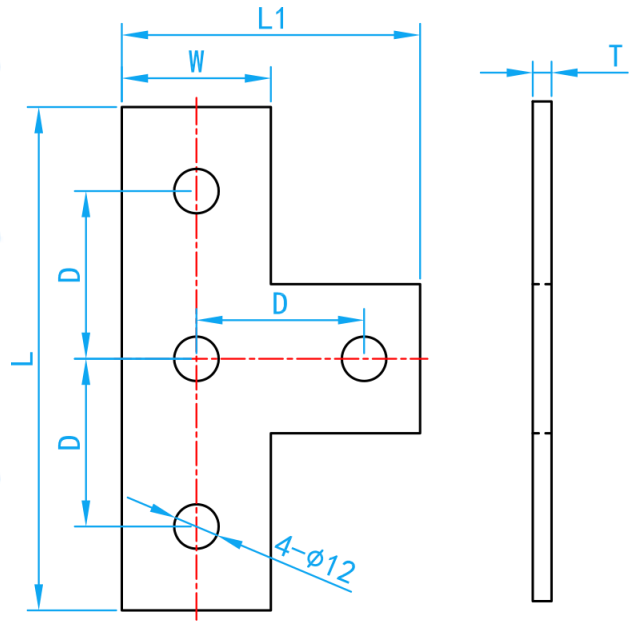
DIMENSIONS

SKU	L (mm)	W (mm)	T (mm)	D (mm)	WEIGHT (kg)	PCS/CTN
OLSB1067	178	37	4.7	45	0.225±10	60

UNISTRUT 4 HOLE T FLAT SLOTTED SPLICE PLATE



INSTALLATION ASSEMBLY



TOP VIEW

SECTION VIEW

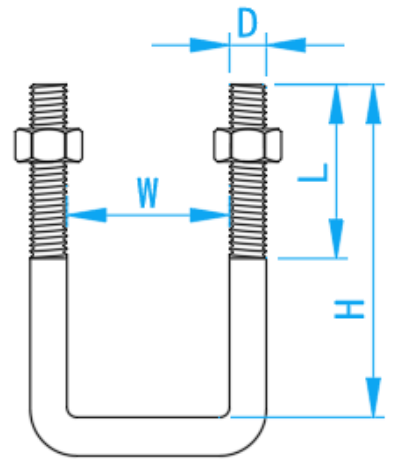
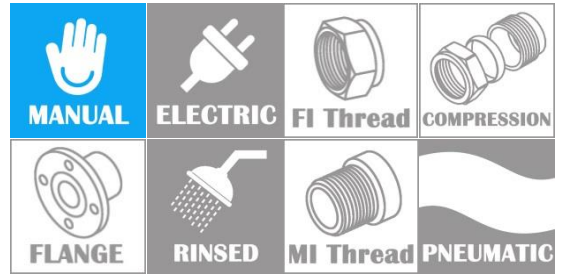
COMPONENT PARTS

MATERIAL	Mild Steel
COATING	Cold Galvanized

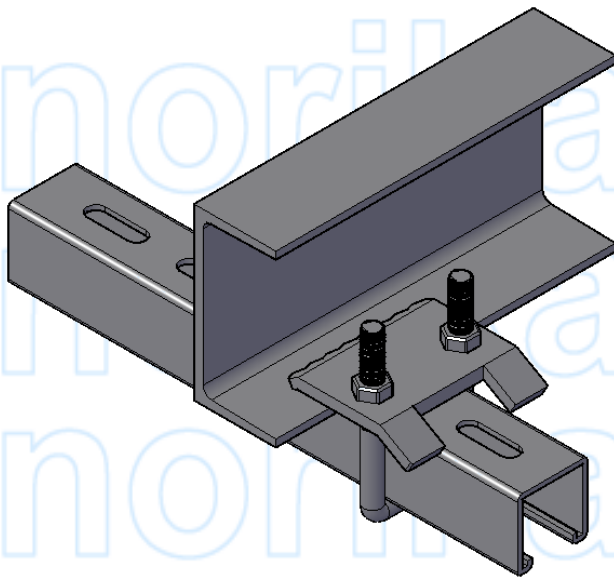
DIMENSIONS

SKU	L (mm)	L1 (mm)	W (mm)	T (mm)	D (mm)	WEIGHT (kg)	PCS/CTN
OLSBT1031	135	80	40	4.7	45	0.225±10	60

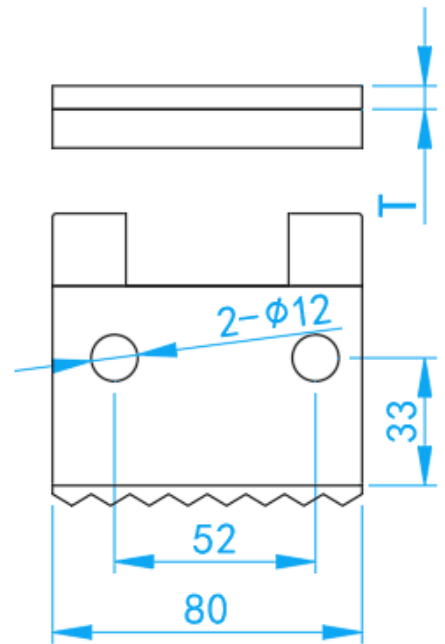
UNISTRUT BEAM CLAMP / SINGLE U-BOLT ASSEMBLY



U BOLT SIDE VIEW



INSTALLATION ASSEMBLY



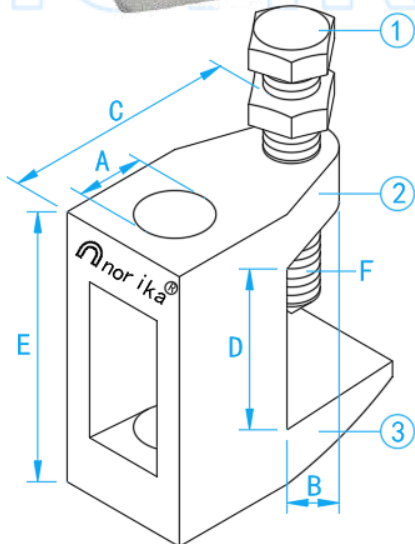
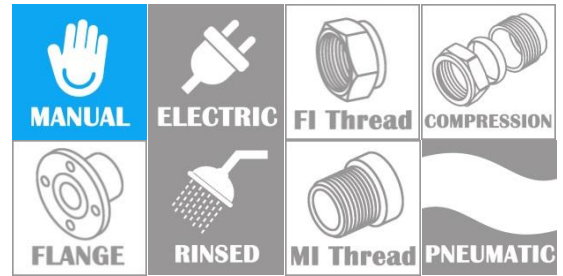
PRESSPLATE TOP VIEW

COMPONENT PARTS	
MATERIAL	Mild Steel
COATING	Cold Galvanized

DIMENSIONS

SKU	W (mm)	D (mm)	L (mm)	H (mm)	T (mm)	WEIGHT (kg)	PCS/CTN
OLUB	42	M10	50	89	6	0.200	50

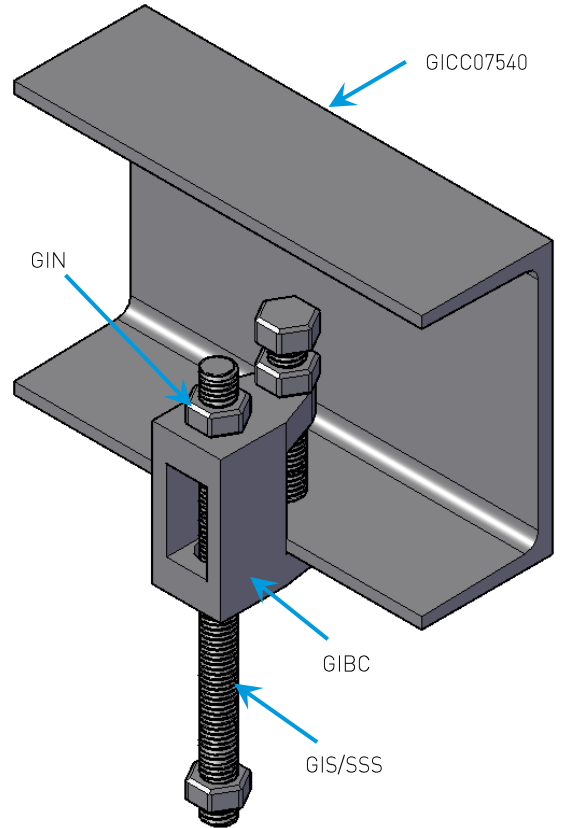
UNISTRUT GALVANIZED IRON BEAM CLAMP



3-D VIEW

APPLICATION:

For attachment to the top flange of structural shapes or for use under roof installations with bar joist type construction where the thickness of flange or joist does not exceed 5/8".



INSTALLATION ASSEMBLY

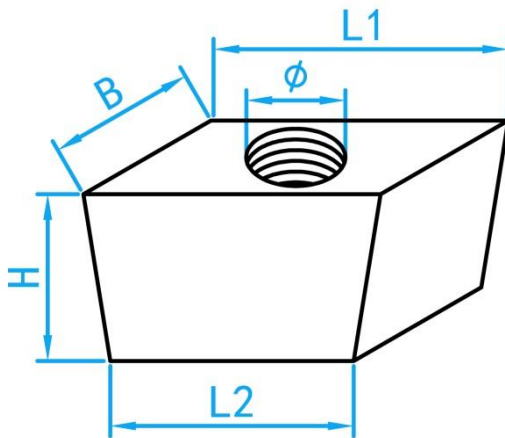
COMPONENT PARTS

ITEM	PARTS	MATERIAL
1.	Bolt	Mild Steel
2.	Body	Mild Steel
3.	Finishing	Cold Galvanized

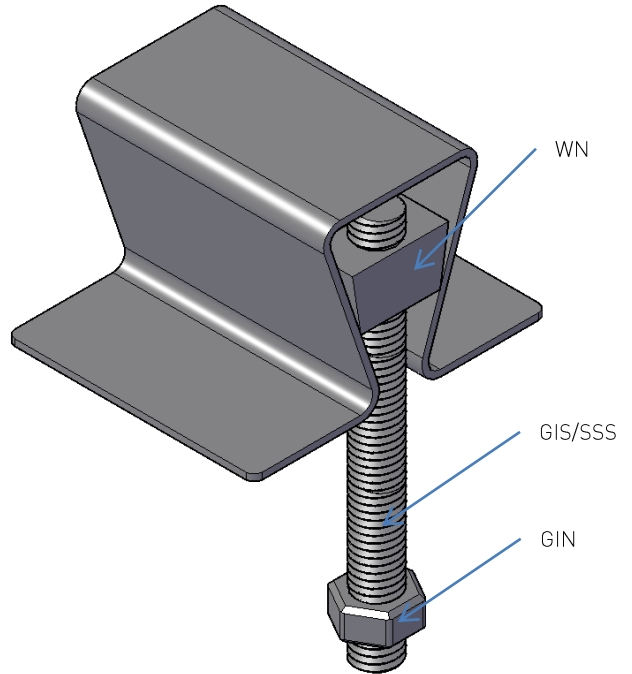
STANDARD SPECIFICATIONS

SKU	A	B (mm)	C (mm)	D (mm)	E (mm)	F (inch)	MAX REC LOAD (kg)	WEIGHT (kg)	PCS/CTN
GIBC38	3/8" 10mm	24	43	17	40	3/8"	500	0.153	100
GIBC38B (BIG MOUTH)	3/8" 10mm	21	44	32	52	3/8"	500	0.265	100
GIBC12B (BIG MOUTH)	1/2" 13mm	21	44	32	52	3/8"	950	0.245	100

UNISTRUT GALVANIZED IRON WEDGE NUT



3D View



INSTALLATION ASSEMBLY

COMPONENT PARTS

MATERIAL	Mild Steel
COATING	Cold Galvanized

APPLICATIONS:

For the installation of service hangers in Norika Strut Channels.

Allowable Working Load Capacity: 3.0 KN

DIMENSIONS

SKU	Thread Size ϕ	L1 (mm)	L2 (mm)	B (mm)	H (mm)	WEIGHT (kg)	PCS/CTN
WN38	3/8"	23.25 ±0.5	19.12 ±0.5	11.5 ±0.5	13.18 ±0.5	0.02	1000
WNM10	M10	23.25 ±0.5	19.12 ±0.5	11.5 ±0.5	13.18 ±0.5	0.02	1000

Built For Water



Main Office

133 Kitchener Road
Singapore 208517

Mon-Fri: 8:00am - 5:30pm
Sat: 8:00am - 1:00pm
Sun & PH: Closed

North Office

10 Admiralty Street, North
Link Building #02-45
Singapore 757695

Mon-Fri: 8:00am - 5:00pm
Sat: 8:00am - 1:00pm
Sun & PH: Closed