

NORIKA STAINLESS STEEL 304 PRESS FIT FITTINGS (M- PROFILE)



PRODUCT LISTING SCHEME

Certificate Number : STL-COC-Z0025
Issue No: 03

This Certificate is awarded to the following product(s) which has / have complied with the requirements of the listed standard(s).

Applicant : Liang Chew Hardware Pte Ltd
133 Kitchener Road
Singapore 208517

Product : Stainless Steel 304 Press-Fit Fitting

Brand / Model : Norika / SSPFN

Detail : Sizes (mm): 15, 22, 28, 35, 42, 54, 67, 76 & 108

Test Standard(s) : BS EN 1254-2: 1998, AS 3688: 2006, AS/NZS 4020: 2018, SS 375: 2015, SS 270: 2015, BS EN 10312: 2002, BS EN 10088-2: 2005

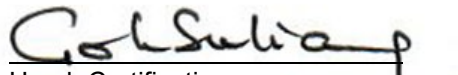
Product conformity certificates are awarded on the basis of an assessment of the following Type Test report(s):

2221879-OYC, 1820239-OYC, 21701875/02-OYC, 2423285-OYC, 21702393-OYC, 2020888-CPC, FB8500287176, 2221990-OYC, 2020877CR1-OYC

Date of Original Issue : 24 July 2023

Date of Last Revision : 04 April 2024

Date of Expiry : 23 July 2025


Head, Certification
Singapore Test Lab Pte Ltd

Page 1 of 1

This Certificate is part of a full report and should be read in conjunction with it. This Certificate remains the property of Singapore Test Lab Pte Ltd and shall be returned upon request. The use of this Certificate is subjected to the Terms and Conditions of Singapore Test Lab Pte Ltd. The manufacturer is solely responsible for the compliance of any product that has the same designation as the product type-tested.



Singapore Test Lab Pte Ltd certifies according to ISO / IEC 17065

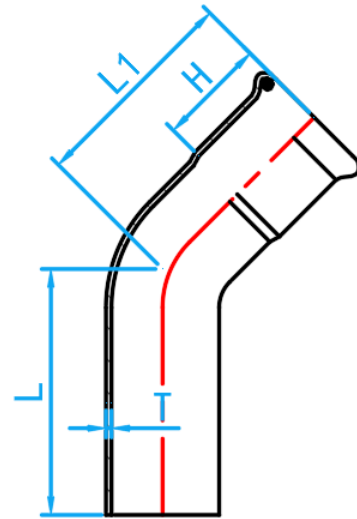


STAINLESS STEEL 304 PRESS FIT FITTINGS (M PROFILE)

COMPLY WITH BSEN1254-2: 1998



MXF 45° ELBOW



CROSS SECTIONAL VIEW

DIMENSIONS

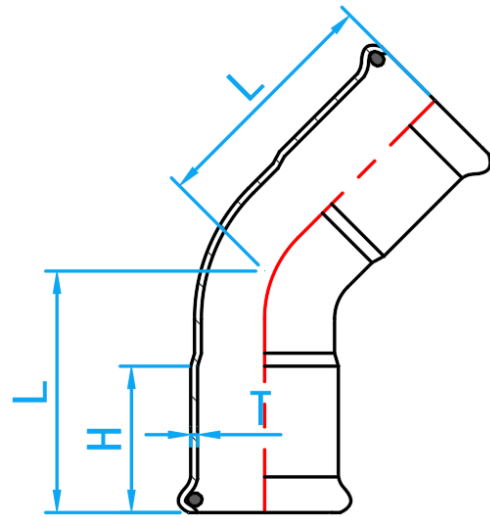
SKU	SIZE (mm)	L (mm)	L1 (mm)	H (mm)	T (mm)	WEIGHT (kg)	PCS/CTN
SSPFNE45015MF	15	35	31	20	1.5	0.036	360
SSPFNE45020MF	22	36	37	21	1.5	0.060	200
SSPFNE45025MF	28	42	38	23	1.5	0.109	120
SSPFNE45035MF	35	53	45	26	1.5	0.148	150
SSPFNE45042MF	42	61	54	31	1.5	0.180	60
SSPFNE45050MF	54	73	63	36	1.5	0.270	48
SSPFNE45065MF	67	106	93	50	1.8	0.600	15
SSPFNE45080MF	76	120	97	51	2.0	0.837	12
SSPFNE45100MF	108	164	130	75	2.0	1.600	4

STAINLESS STEEL 304 PRESS FIT FITTINGS (M PROFILE)

COMPLY WITH BSEN1254-2: 1998



45° ELBOW



CROSS SECTIONAL VIEW

DIMENSIONS

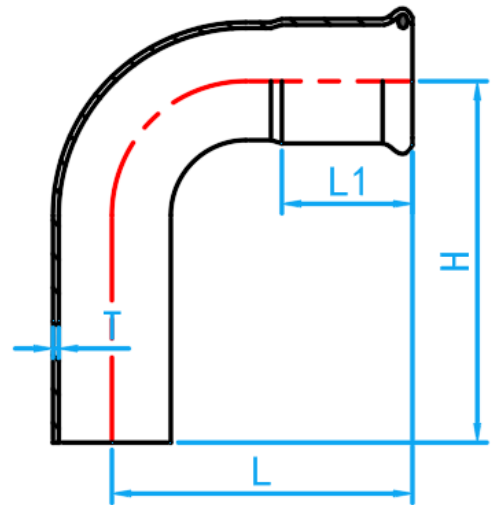
SKU	SIZE (mm)	L (mm)	H (mm)	T (mm)	WEIGHT (kg)	PCS/CTN
SSPFNE45015	15	31	20	1.5	0.037	400
SSPFNE45020	22	33	21	1.5	0.065	160
SSPFNE45025	28	40	23	1.5	0.090	120
SSPFNE45035	35	45	26	1.5	0.125	140
SSPFNE45042	42	54	31	1.5	0.217	80
SSPFNE45050	54	65	36	1.5	0.268	48
SSPFNE45065	65	93	50	1.8	0.604	18
SSPFNE45080	76	98	51	2.0	0.812	12
SSPFNE45100	108	133	75	2.0	1.615	4

STAINLESS STEEL 304 PRESS FIT FITTINGS (M PROFILE)

COMPLY WITH BSEN1254-2: 1998



MXF 90° ELBOW



CROSS SECTIONAL VIEW

DIMENSIONS

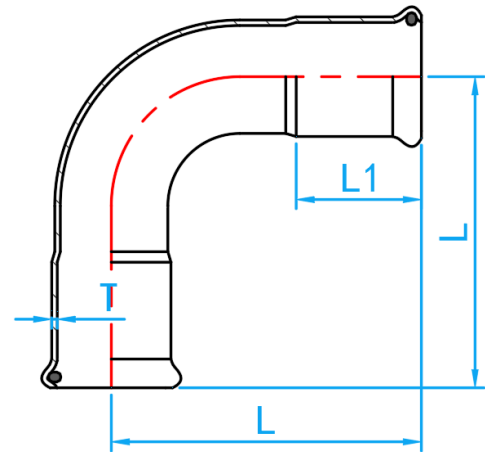
SKU	SIZE (mm)	L (mm)	L1 (mm)	H (mm)	T (mm)	WEIGHT (kg)	PCS/CTN
SSPFNE90015MF	15	42	20	44	1.5	0.042	360
SSPFNE90020MF	22	51	21	55	1.5	0.093	150
SSPFNE90025MF	28	60	23	68	1.5	0.131	160
SSPFNE90035MF	35	72	26	89	1.5	0.212	100
SSPFNE90042MF	42	85	31	95	1.5	0.268	60
SSPFNE90050MF	54	105	36	113	1.5	0.415	30
SSPFNE90065MF	67	140	50	150	1.8	0.800	15
SSPFNE90080MF	76	150	51	182	2.0	1.026	12
SSPFNE90100MF	108	221	75	238	2.0	2.206	4

STAINLESS STEEL 304 PRESS FIT FITTINGS (M PROFILE)

COMPLY WITH BSEN1254-2: 1998



90° ELBOW



CROSS SECTIONAL VIEW

DIMENSIONS

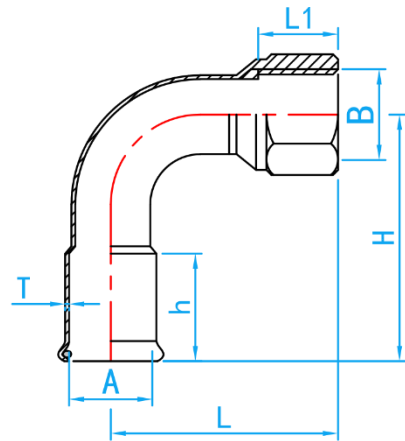
SKU	SIZE (mm)	L (mm)	L1 (mm)	T (mm)	WEIGHT (kg)	PCS/CTN
SSPFNE90015	15	42	20	1.5	0.045	300
SSPFNE90020	22	51	21	1.5	0.077	150
SSPFNE90025	28	60	23	1.5	0.124	150
SSPFNE90035	35	72	26	1.5	0.165	100
SSPFNE90042	42	85	31	1.5	0.239	60
SSPFNE90050	54	105	36	1.5	0.375	32
SSPFNE90065	67	143	50	1.8	0.825	13
SSPFNE90080	76	150	51	2.0	0.990	12
SSPFNE90100	108	221	75	2.0	2.110	4

STAINLESS STEEL 304 PRESS FIT FITTINGS (M PROFILE)

COMPLY WITH BSEN1254-2: 1998



FI 90° ELBOW



CROSS SECTIONAL VIEW

DIMENSIONS

SKU	A×B (mm × inch)	L (mm)	H (mm)	h (mm)	L1 (mm)	T (mm)	WEIGHT (kg)	PCS/CTN
SSPFNFIE01515	15×1/2" BSP	43	43	20	15.5	1.5	0.060	300
SSPFNFIE02015	22×1/2" BSP	43	50	21	15.5	1.5	0.078	160
SSPFNFIE02020	22×3/4" BSP	48	50	21	16.0	1.5	0.090	160
SSPFNFIE02515	28×1/2" BSP	68	60	23	15.5	1.5	0.115	160
SSPFNFIE02520	28×3/4" BSP	55	60	23	16.0	1.5	0.128	80
SSPFNFIE02525	28×1" BSP	62	60	23	20.0	1.5	0.146	70
SSPFNFIE03515	35×1/2" BSP	76	72	26	15.5	1.5	0.165	60
SSPFNFIE03520	35×3/4" BSP	76	72	26	16.0	1.5	0.170	60
SSPFNFIE03525	35×1" BSP	65	72	26	20.0	1.5	0.195	60
SSPFNFIE03525M*	35×1" BSP	78	72	26	20.0	1.5	0.210	50
SSPFNFIE03525L	35×1" BSP	80	90	26	20.0	1.5	0.230	40
SSPFNFIE03535	35×1 1/4" BSP	68	72	26	22.0	1.5	0.235	80
SSPFNFIE04215	42×1/2" BSP	86	85	31	15.5	1.5	0.165	30
SSPFNFIE04220	42×3/4" BSP	83	85	31	16.0	1.5	0.233	30
SSPFNFIE04225	42×1" BSP	90	85	31	20.0	1.5	0.260	30
SSPFNFIE04235	42×1 1/4" BSP	98	85	31	22.0	1.5	0.278	30
SSPFNFIE04242	42×1 1/2" BSP	80	85	31	25.0	1.5	0.300	30
SSPFNFIE05015	54×1/2" BSP	97	105	35	15.5	1.5	0.337	21
SSPFNFIE05020	54×3/4" BSP	100	105	35	20.0	1.5	0.345	25
SSPFNFIE05025	54×1" BSP	102	105	35	22.0	1.5	0.378	25
SSPFNFIE05035	54×1 1/4" BSP	106	105	35	24.0	1.5	0.403	25
SSPFNFIE05042	54×1 1/2" BSP	100	105	35	25.0	1.5	0.396	25
SSPFNFIE05050	54×2" BSP	93	105	36	25.0	1.5	0.460	30
SSPFNFIE06565	67×2 1/2" BSP	133	143	50	28.0	1.8	0.970	15

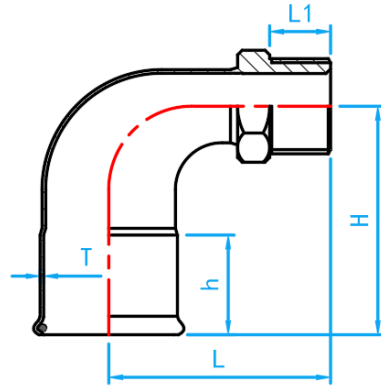
*This item requires special ordering. Please consult with a salesperson for the estimated lead time.

STAINLESS STEEL 304 PRESS FIT FITTINGS (M PROFILE)

COMPLY WITH BSEN1254-2: 1998



MI 90° ELBOW



CROSS SECTIONAL VIEW

DIMENSIONS

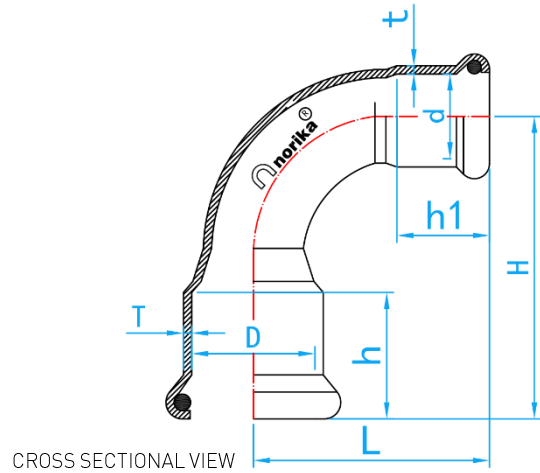
SKU	SIZE (mm × inch)	H (mm)	L (mm)	h (mm)	L1 (mm)	T (mm)	WEIGHT (kg)	PCS/CTN
SSPFNMIE01515	15 × 1/2" BSPT	43.0	42.0	20	15	1.5	0.060	300
SSPFNMIE02015	22 × 1/2" BSPT	50.0	46.0	21	15	1.5	0.080	200
SSPFNMIE02020	22 × 3/4" BSPT	50.0	50.0	21	16	1.5	0.092	160
SSPFNMIE02515	28 × 1/2" BSPT	60.0	68.0	23	19	1.5	0.120	100
SSPFNMIE02525	28 × 1" BSPT	60.0	68.0	23	19	1.5	0.145	70
SSPFNMIE03515	35 × 1/2" BSPT	72.0	78.0	26	15	1.5	0.162	50
SSPFNMIE03520	35 × 3/4" BSPT	72.0	80.0	26	16	1.5	0.176	50
SSPFNMIE03525	35 × 1" BSPT	72.0	73.0	26	19	1.5	0.180	50
SSPFNMIE03535	35 × 1 1/4" BSPT	72.0	74.0	26	21	1.5	0.225	55
SSPFNMIE04225	42 × 1" BSPT	85.0	93.0	26	19	1.5	0.255	50
SSPFNMIE04242	42 × 1 1/2" BSPT	85.0	84.0	31	21	1.5	0.300	33
SSPFNMIE05025	54 × 1" BSPT	105.0	112.0	36	19	1.5	0.365	50
SSPFNMIE05050	54 × 2" BSPT	105.0	105.0	36	26	1.5	0.485	21
SSPFNMIE06565	67 × 2 1/2" BSPT	143.0	131.5	50	26	1.8	0.970	12

STAINLESS STEEL 304 PRESS FIT FITTINGS (M PROFILE)

COMPLY WITH BSEN1254-2: 1998



REDUCER 90° ELBOW



DIMENSIONS

SKU	SIZE D×d (mm)	H (mm)	L (mm)	h (mm)	h1 (mm)	T (mm)	t (mm)	WEIGHT (kg)	PCS/CTN
SSPFNRE9002015	22x15	52	43	21	20	1.5	1.5	0.065	160
SSPFNRE9002515	28x15	60	43	23	20	1.5	1.5	0.075	140
SSPFNRE9002520	28x22	62	50	23	21	1.5	1.5	0.095	160
SSPFNRE9003515	35x15	63	43	26	20	1.5	1.5	0.100	100
SSPFNRE9003520	35x22	70	50	26	21	1.5	1.5	0.115	80
SSPFNRE9003525	35x28	76	60	26	23	1.5	1.5	0.135	70
SSPFNRE9004215	42x15	72	43	31	20	1.5	1.5	0.125	60
SSPFNRE9004220	42x22	73	50	31	21	1.5	1.5	0.145	60
SSPFNRE9004225	42x28	84	60	31	23	1.5	1.5	0.165	60
SSPFNRE9004235	42x35	87	72	31	26	1.5	1.5	0.200	60
SSPFNRE9005015	54x15	82	43	36	20	1.5	1.5	0.170	56
SSPFNRE9005020	54x22	87	50	36	21	1.5	1.5	0.186	56
SSPFNRE9005025	54x28	93	60	36	23	1.5	1.5	0.215	56
SSPFNRE9005035	54x35	97	72	36	26	1.5	1.5	0.245	30
SSPFNRE9005042	54x42	105	85	36	31	1.5	1.5	0.298	30
SSPFNRE9006525	67x28	115	60	50	23	1.8	1.5	0.354	15
SSPFNRE9006535	67x35	118	72	50	26	1.8	1.5	0.394	15
SSPFNRE9006542*	67x42	84	85	50	31	1.8	1.5	0.428	15
SSPFNRE9006550*	67x54	108	105	50	36	1.8	1.5	0.523	15

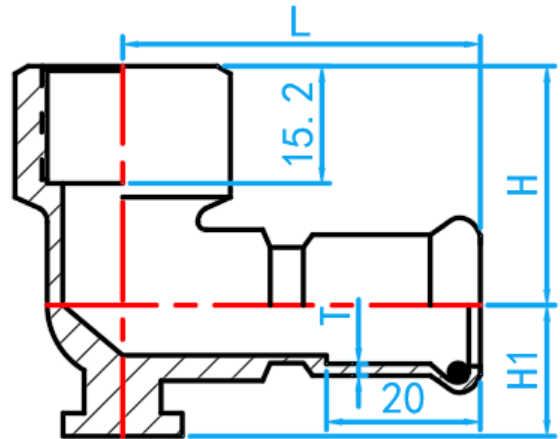
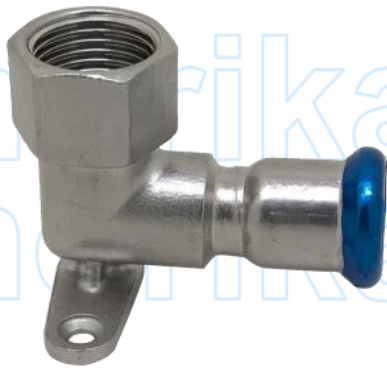
*This item requires special ordering. Please consult with a salesperson for the estimated lead time.

STAINLESS STEEL 304 PRESS FIT FITTINGS (M PROFILE)

COMPLY WITH BSEN1254-2: 1998



WALL PLATE ELBOW



CROSS SECTIONAL VIEW

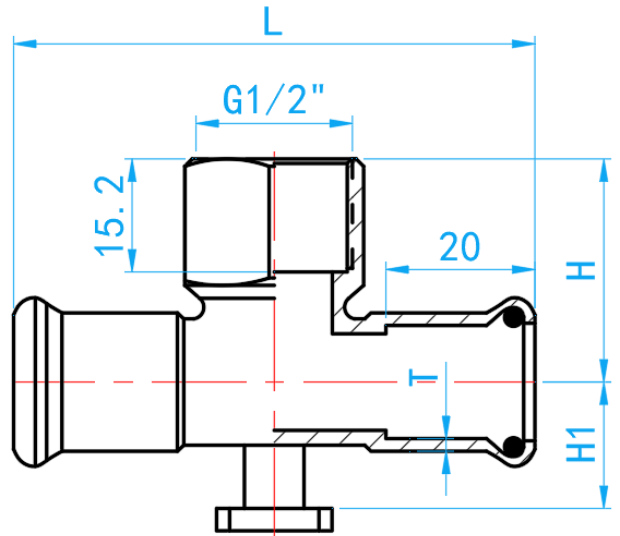
DIMENSIONS							
SKU	SIZE (mm x inch)	L (mm)	H (mm)	H1 (mm)	T (mm)	WEIGHT (kg)	PCS/CTN
SSPFNFE015	15×1/2" BSP	48	26	15	1.5	0.089	150

STAINLESS STEEL 304 PRESS FIT FITTINGS (M PROFILE)

COMPLY WITH BSEN1254-2: 1998



WALL PLATE FI TEE

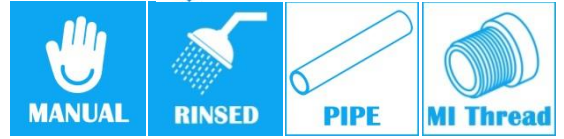


CROSS SECTIONAL VIEW

DIMENSIONS

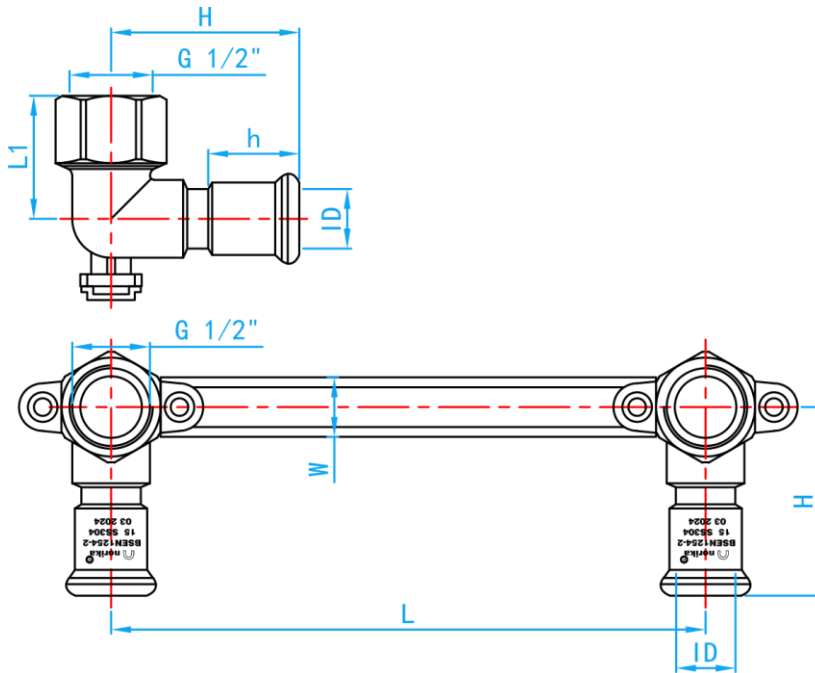
SKU	SIZE (mm x mm x inch)	L (mm)	H (mm)	H1 (mm)	T (mm)	WEIGHT (kg)	PCS/CTN
SSPFNFT015	15×15×1/2" BSP	70	32	20	1.5	0.093	140

STAINLESS STEEL 304 PRESS FIT FITTINGS (M PROFILE)



COMPLY WITH BSEN1254-2: 1998

DOUBLE ELBOW WALL MOUNTED PLATE



SIDE VIEW

DIMENSIONS

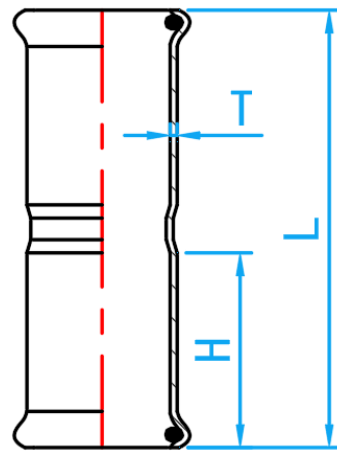
SKU	SIZE ID×G (mm x inch)	L (mm)	L1 (mm)	H (mm)	h (mm)	W (mm)	WEIGHT (kg)	PCS/CTN
SSPFNFE015S	15×1/2" BSP	150	31	47.5	23	15	0.200	40

STAINLESS STEEL 304 PRESS FIT FITTINGS (M PROFILE)

COMPLY WITH BSEN1254-2: 1998



EQUAL SOCKET



CROSS SECTIONAL VIEW

DIMENSIONS

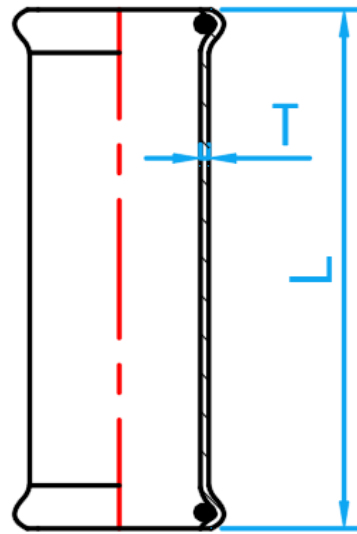
SKU	SIZE (mm)	L (mm)	H (mm)	T (mm)	WEIGHT (kg)	PCS/CTN
SSPFNES015	15	53	20	1.5	0.036	420
SSPFNES020	22	55	21	1.5	0.056	200
SSPFNES025	28	59	23	1.5	0.074	140
SSPFNES035	35	65	26	1.5	0.099	160
SSPFNES042	42	76	31	1.5	0.144	120
SSPFNES050	54	88	36	1.5	0.209	74
SSPFNES065	67	124	50	1.8	0.416	33
SSPFNES080	76	134	51	2.0	0.520	20
SSPFNES100	108	182	75	2.0	1.130	6

STAINLESS STEEL 304 PRESS FIT FITTINGS (M PROFILE)

COMPLY WITH BSEN1254-2: 1998



LONG SOCKET



CROSS SECTIONAL VIEW

DIMENSIONS

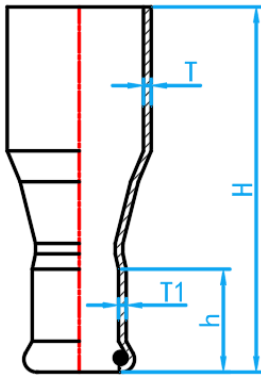
SKU	SIZE (mm)	L (mm)	T (mm)	WEIGHT (kg)	PCS/CTN
SSPFNES015L	15	80	1.5	0.053	250
SSPFNES020L	22	85	1.5	0.086	120
SSPFNES025L	28	95	1.5	0.120	100
SSPFNES035L	35	105	1.5	0.150	60
SSPFNES042L	42	120	1.5	0.250	70
SSPFNES050L	54	135	1.5	0.290	40
SSPFNES065L	67	200	1.8	0.690	20
SSPFNES080L	76	225	2.0	0.900	15
SSPFNES100L	108	315	2.0	1.860	4

STAINLESS STEEL 304 PRESS FIT FITTINGS (M PROFILE)



COMPLY WITH BSEN1254-2: 1998

MXF REDUCER



CROSS SECTIONAL VIEW

DIMENSIONS

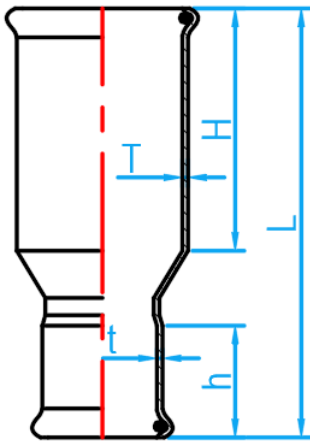
SKU	SIZE (mm)	H (mm)	h (mm)	T (mm)	T1 (mm)	WEIGHT (kg)	PCS/CTN
SSPFNRS02015MF	22×15	68	20	1.5	1.5	0.048	300
SSPFNRS02515MF	28×15	73	20	1.5	1.5	0.059	300
SSPFNRS02520MF	28×22	71	21	1.5	1.5	0.065	250
SSPFNRS03515MF	35×15	81	20	1.5	1.5	0.080	160
SSPFNRS03520MF	35×22	80	21	1.5	1.5	0.091	100
SSPFNRS03525MF	35×28	80	23	1.5	1.5	0.089	80
SSPFNRS04215MF	42×15	90	20	1.5	1.5	0.110	80
SSPFNRS04220MF	42×22	87	21	1.5	1.5	0.116	100
SSPFNRS04225MF	42×28	87	23	1.5	1.5	0.124	110
SSPFNRS04235MF	42×35	88	26	1.5	1.5	0.125	60
SSPFNRS05015MF	54×15	105	20	1.5	1.5	0.162	77
SSPFNRS05020MF	54×22	104	21	1.5	1.5	0.170	77
SSPFNRS05025MF	54×28	102	23	1.5	1.5	0.175	100
SSPFNRS05035MF	54×35	104	26	1.5	1.5	0.185	90
SSPFNRS05042MF	54×42	103	31	1.5	1.5	0.195	80
SSPFNRS06525MF	67×28	127	23	1.8	1.5	0.320	40
SSPFNRS06535MF	67×35	128	26	1.8	1.5	0.316	40
SSPFNRS06542MF	67×42	130	31	1.8	1.5	0.330	40
SSPFNRS06550MF	67×54	132	36	1.8	1.5	0.350	40
SSPFNRS08025MF	76×28	140	23	2.0	1.5	0.425	20
SSPFNRS08035MF	76×35	141	26	2.0	1.5	0.435	20
SSPFNRS08042MF	76×42	145	31	2.0	1.5	0.470	20
SSPFNRS08050MF	76×54	147	36	2.0	1.5	0.470	30
SSPFNRS08065MF	76×67	162	50	2.0	1.8	0.560	21
SSPFNRS10042MF	108×42	180	31	2.0	1.5	0.810	12
SSPFNRS10050MF	108×54	182	36	2.0	1.5	0.830	10
SSPFNRS10065MF	108×67	195	50	2.0	1.8	0.920	9
SSPFNRS10080MF	108×76	198	51	2.0	2.0	0.960	9

STAINLESS STEEL 304 PRESS FIT FITTINGS (M PROFILE)

COMPLY WITH BSEN1254-2: 1998



REDUCEING SOCKET



CROSS SECTIONAL VIEW

DIMENSIONS

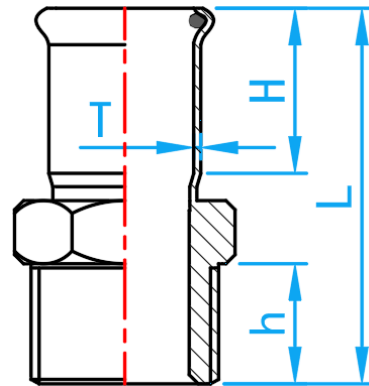
SKU	SIZE (mm)	L (mm)	H (mm)	h (mm)	T (mm)	t (mm)	WEIGHT (kg)	PCS/CT N
SSPFNRS02015	22×15	63	21	20	1.5	1.5	0.054	200
SSPFNRS02515	28×15	68	23	20	1.5	1.5	0.068	160
SSPFNRS02520	28×22	65	23	21	1.5	1.5	0.075	130
SSPFNRS03515	35×15	73	26	20	1.5	1.5	0.087	160
SSPFNRS03520	35×22	73	26	21	1.5	1.5	0.083	120
SSPFNRS03525	35×28	74	26	23	1.5	1.5	0.097	80
SSPFNRS04215	42×15	83	31	20	1.5	1.5	0.110	120
SSPFNRS04220	42×22	80	31	21	1.5	1.5	0.122	130
SSPFNRS04225	42×28	80	31	23	1.5	1.5	0.125	100
SSPFNRS04235	42×35	82	31	26	1.5	1.5	0.133	70
SSPFNRS05015	54×15	93	36	20	1.5	1.5	0.166	70
SSPFNRS05020	54×22	92	36	21	1.5	1.5	0.162	70
SSPFNRS05025	54×28	93	36	23	1.5	1.5	0.175	100
SSPFNRS05035	54×35	94	36	26	1.5	1.5	0.180	70
SSPFNRS05042	54×42	94	36	31	1.5	1.5	0.207	70
SSPFNRS06515	67×15	114	50	20	1.8	1.5	0.300	25
SSPFNRS06520	67×22	114	50	21	1.8	1.5	0.310	50
SSPFNRS06525	67×28	116	50	23	1.8	1.5	0.300	25
SSPFNRS06535	67×35	115	50	26	1.8	1.5	0.310	25
SSPFNRS06542	67×42	117	50	31	1.8	1.5	0.320	25
SSPFNRS06550	67×54	119	50	36	1.8	1.5	0.347	36
SSPFNRS08025	76×28	120	51	23	2.0	1.5	0.380	20
SSPFNRS08035	76×35	123	51	26	2.0	1.5	0.400	20
SSPFNRS08042	76×42	128	51	31	2.0	1.5	0.435	20
SSPFNRS08050	76×54	129	51	36	2.0	1.5	0.430	36
SSPFNRS08065	76×67	141	51	50	2.0	1.8	0.520	20
SSPFNRS10042	108×42	158	75	31	2.0	1.5	0.790	12
SSPFNRS10050	108×54	162	75	36	2.0	1.5	0.810	12
SSPFNRS10065	108×67	180	75	50	2.0	1.8	0.905	12
SSPFNRS10080	108×76	180	75	51	2.0	2.0	0.942	12

STAINLESS STEEL 304 PRESS FIT FITTINGS (M PROFILE)

COMPLY WITH BSEN1254-2: 1998



MI SOCKET



CROSS SECTIONAL VIEW

DIMENSIONS

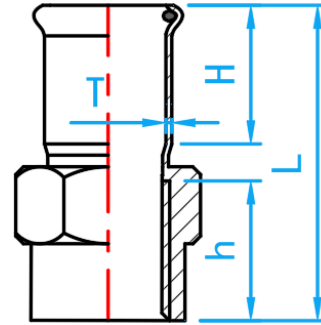
SKU	SIZE [mm x inch]	L [mm]	H [mm]	h [mm]	T [mm]	WEIGHT [kg]	PCS/CTN
SSPFNMAI01515	15×1/2" BSPT	51.0	20	15	1.5	0.044	420
SSPFNMAI02015	22×1/2" BSPT	53.0	20	15	1.5	0.060	170
SSPFNMAI02020	22×3/4" BSPT	55.0	21	16	1.5	0.065	200
SSPFNMAI02025	22×1" BSPT	70.0	24	16	1.5	0.105	130
SSPFNMAI02515	28×1/2" BSPT	66.5	24	14	1.5	0.075	130
SSPFNMAI02520	28×3/4" BSPT	58.0	24	16	1.5	0.082	130
SSPFNMAI02525	28×1" BSPT	62.0	33	19	1.5	0.105	130
SSPFNMAI03515	35×1/2" BSPT	76.0	26	15	1.5	0.095	80
SSPFNMAI03520	35×3/4" BSPT	75.0	26	15	1.5	0.100	80
SSPFNMAI03525	35×1" BSPT	67.0	26	21	1.5	0.120	80
SSPFNMAI03535	35×1 1/4" BSPT	70.0	26	21	1.5	0.160	80
SSPFNMAI03542	35×1 1/2" BSPT	82.0	28	22	1.5	0.165	66
SSPFNMAI03550	35×2" BSPT	92.0	26	26	1.5	0.300	38
SSPFNMAI04215	42×1/2" BSPT	81.0	31	14	1.5	0.120	50
SSPFNMAI04220	42×3/4" BSPT	82.0	31	16	1.5	0.132	50
SSPFNMAI04225	42×1" BSPT	84.0	24	22	1.5	0.150	50
SSPFNMAI04235	42×1 1/4" BSPT	75.0	31	21	1.5	0.180	50
SSPFNMAI04242	42×1 1/2" BSPT	75.0	31	21	1.5	0.195	66
SSPFNMAI04250	42×2" BSPT	96.0	31	21	1.5	0.320	50
SSPFNMAI05020	54×3/4" BSPT	94.0	35	16	1.5	0.178	60
SSPFNMAI05025	54×1" BSPT	95.0	35	19	1.5	0.198	50
SSPFNMAI05035	54×1 1/4" BSPT	96.0	35	20	1.5	0.232	38
SSPFNMAI05042	54×1 1/2" BSPT	95.0	35	21	1.5	0.246	38
SSPFNMAI05050	54×2" BSPT	88.0	36	26	1.5	0.320	38
SSPFNMAI06565	67×2 1/2" BSPT	110.0	50	30	1.8	0.735	15
SSPFNMAI08065	76×2 1/2" BSPT	115.0	55	30	2.0	0.626	24
SSPFNMAI08080	76×3" BSPT	117.0	55	32	2.0	0.825	24
SSPFNMAI100100	108×4" BSPT	148.0	80	35	2.0	1.243	10

STAINLESS STEEL 304 PRESS FIT FITTINGS (M PROFILE)

COMPLY WITH BSEN1254-2: 1998



FI SOCKET



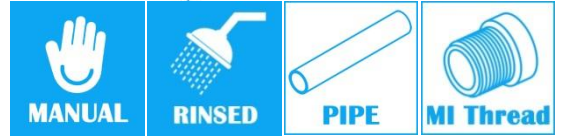
CROSS SECTIONAL VIEW

DIMENSIONS

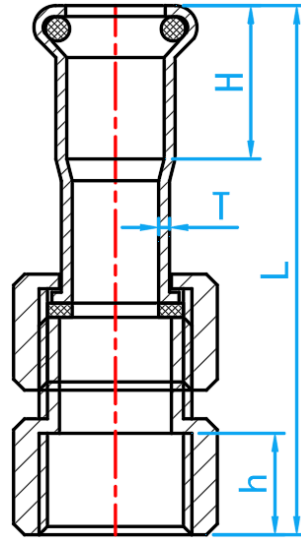
SKU	SIZE (mm x inch)	L(mm)	H(mm)	h(mm)	T (mm)	WEIGHT(kg)	PCS/CTN
SSPFNFIA01515	15×1/2" BSP	52	20	15.5	1.5	0.050	300
SSPFNFIA02015	22×1/2" BSP	50	20	15.5	1.5	0.055	240
SSPFNFIA02020	22×3/4" BSP	50	21	16.0	1.5	0.070	170
SSPFNFIA02515	28×1/2" BSP	65	23	15.5	1.5	0.075	100
SSPFNFIA02520	28×3/4" BSP	54	23	16.0	1.5	0.080	100
SSPFNFIA02525	28×1" BSP	57	23	20.0	1.5	0.110	120
SSPFNFIA03515	35×1/2" BSP	72	26	15.5	1.5	0.095	80
SSPFNFIA03520	35×3/4" BSP	70	26	16.0	1.5	0.110	70
SSPFNFIA03525	35×1" BSP	64	26	20.0	1.5	0.180	80
SSPFNFIA03535	35×11/4" BSP	65	26	22.0	1.5	0.150	75
SSPFNFIA03542	35×11/2" BSP	77	26	25.0	1.5	0.185	60
SSPFNFIA04215	42×1/2" BSP	80	31	15.5	1.5	0.134	120
SSPFNFIA04220	42×3/4" BSP	77	31	16.0	1.5	0.135	120
SSPFNFIA04225	42×1" BSP	80	31	20.0	1.5	0.155	100
SSPFNFIA04235	42×11/4" BSP	70	31	22.0	1.5	0.170	100
SSPFNFIA04242	42×11/2" BSP	71	31	25.0	1.5	0.200	60
SSPFNFIA04250	42×2" BSP	90	31	25.0	1.5	0.280	36
SSPFNFIA05015	54×1/2" BSP	90	36	15.5	1.5	0.170	70
SSPFNFIA05020	54×3/4" BSP	90	36	16.0	1.5	0.178	60
SSPFNFIA05025	54×1" BSP	92	36	20.0	1.5	0.205	60
SSPFNFIA05035	54×11/4" BSP	92	36	22.0	1.5	0.229	60
SSPFNFIA05042	54×11/2" BSP	92	36	25.0	1.5	0.246	36
SSPFNFIA05050	54×2" BSP	84	35	25.0	1.5	0.285	36
SSPFNFIA06515	67×1/2" BSP	111	50	15.5	1.8	0.310	28
SSPFNFIA06550	67×2" BSP	115	50	25.0	1.8	0.435	15
SSPFNFIA06565	67×21/2" BSP	115	50	28.0	1.8	0.570	15
SSPFNFIA08015	76×1/2" BSP	120	51	15.5	2.0	0.405	24
SSPFNFIA10015	108×1/2" BSP	153	75	15.5	2.0	0.810	10

STAINLESS STEEL 304 PRESS FIT FITTINGS (M PROFILE)

COMPLY WITH BSEN1254-2: 1998



FEMALE JOINT CONNECTOR



CROSS SECTIONAL VIEW

DIMENSIONS

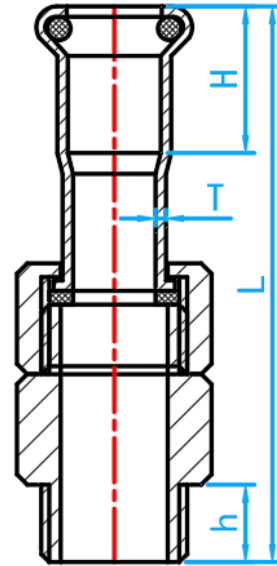
SKU	SIZE (mm x inch)	L (mm)	H (mm)	h (mm)	T (mm)	WEIGHT (kg)	PCS/CTN
SSPFNFJC01515	15×1/2" BSP	71	20	15	1.5	0.110	180
SSPFNFJC02020	22×3/4" BSP	75	21	17	1.5	0.152	150
SSPFNFJC02525	28×1" BSP	83	23	19	1.5	0.215	70
SSPFNFJC03535	35×1 1/4" BSP	91	26	21	1.5	0.326	60
SSPFNFJC04242	42×1 1/2" BSP	111	31	22	1.5	0.381	50
SSPFNFJC05050	54×2" BSP	116	36	27	1.5	0.634	24

STAINLESS STEEL 304 PRESS FIT FITTINGS (M PROFILE)

COMPLY WITH BSEN1254-2: 1998



MALE JOINT CONNECTOR



CROSS SECTIONAL VIEW

DIMENSIONS

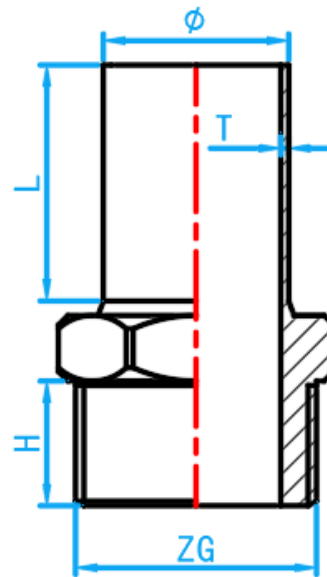
SKU	SIZE (mm x inch)	L (mm)	H (mm)	h (mm)	T (mm)	WEIGHT (kg)	PCS/CTN
SSPFNMJC01515	15×1/2"BSPT	88	20	15	1.5	0.110	180
SSPFNMJC02020	22×3/4"BSPT	87	21	17	1.5	0.157	150
SSPFNMJC02525	28×1"BSPT	96	23	19	1.5	0.225	70
SSPFNMJC03525	35×1"BSPT	96	26	19	1.5	0.230	60
SSPFNMJC03535	35×11/4"BSPT	100	26	21	1.5	0.302	60
SSPFNMJC04225	42×1"BSPT	115	31	19	1.5	0.275	34
SSPFNMJC04242	42×11/2"BSPT	107	31	22	1.5	0.430	34
SSPFNMJC05025	54×1"BSPT	125	36	19	1.5	0.315	24
SSPFNMJC05050	54×2"BSPT	130	36	27	1.5	0.620	24
SSPFNMJC06565	67×21/2"BSPT	165	50	30	1.8	0.670	10
SSPFNMJC08080	76×3"BSPT	180	51	33	2.0	1.440	5
SSPFNMJC100100	108×4"BSPT	250	75	38	2.0	2.760	6

STAINLESS STEEL 304 PRESS FIT FITTINGS (M PROFILE)

COMPLY WITH BSEN1254-2: 1998



MI PIPE



CROSS SECTIONAL VIEW

DIMENSIONS

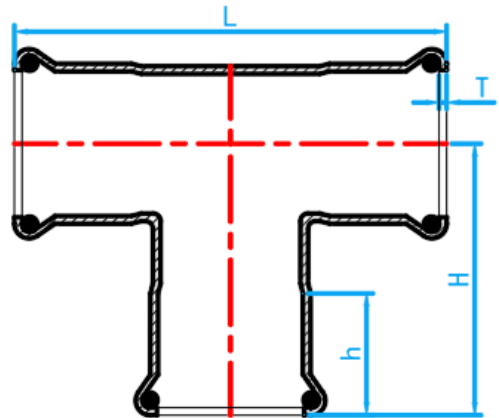
SKU	SIZE (mm)	ZG (inch)	Ø (mm)	T (mm)	L (mm)	H (mm)	WEIGHT (kg)	PCS/CTN
SSPFNMIP01515	15	1/2"BSPT	15	1.5	35	15	0.050	500
SSPFNMIP02020	22	3/4"BSPT	22	1.5	36	16	0.070	200
SSPFNMIP02525	28	1"BSPT	28	1.5	38	19	0.140	150
SSPFNMIP03535	35	1 1/4"BSPT	35	1.5	40	21	0.150	50
SSPFNMIP04242	42	1 1/2"BSPT	42	1.5	45	21	0.190	50
SSPFNMIP05050	54	2"BSPT	54	1.5	50	26	0.335	60

STAINLESS STEEL 304 PRESS FIT FITTINGS (M PROFILE)

COMPLY WITH BSEN1254-2: 1998



EQUAL TEE



CROSS SECTIONAL VIEW

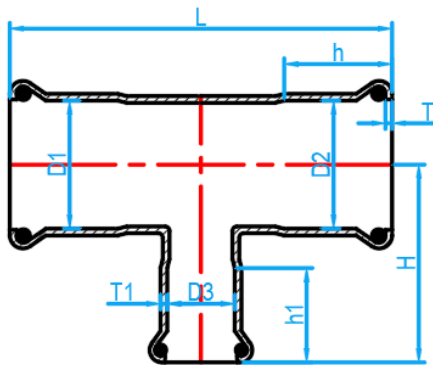
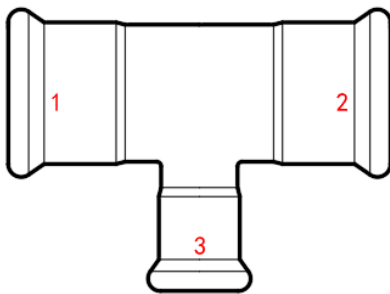
DIMENSIONS							
SKU	SIZE (mm)	L (mm)	H (mm)	h (mm)	T (mm)	WEIGHT (kg)	PCS/CTN
SSPFNET015	15	70	36	20	1.5	0.065	240
SSPFNET020	22	78	40	21	1.5	0.100	120
SSPFNET025	28	87	45	23	1.5	0.132	70
SSPFNET035	35	100	53	26	1.5	0.185	50
SSPFNET042	42	120	61	31	1.5	0.275	52
SSPFNET050	54	142	73	36	1.5	0.350	28
SSPFNET065	67	202	98	50	1.8	0.955	12
SSPFNET080	76	230	110	51	2.0	1.200	8
SSPFNET100	108	305	160	75	2.0	2.320	3

STAINLESS STEEL 304 PRESS FIT FITTINGS (M PROFILE)

COMPLY WITH BSEN1254-2: 1998



REDUCING TEE

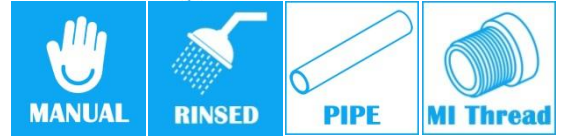


CROSS SECTIONAL VIEW

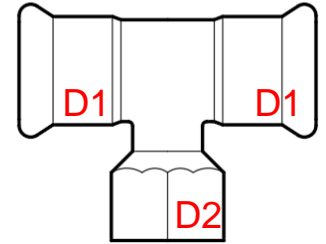
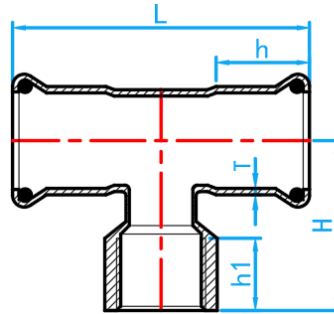
DIMENSIONS

SKU	D1×D2×D3 (mm)	L (mm)	H (mm)	h (mm)	h1 (mm)	T (mm)	T1 (mm)	WEIGHT (kg)	PCS/C TN
SSPFNRT0202015	22×22×15	76	38	21	20	1.5	1.5	0.090	120
SSPFNRT0252515	28×28×15	87	42	23	20	1.5	1.5	0.118	60
SSPFNRT0252520	28×28×22	87	45	23	21	1.5	1.5	0.134	60
SSPFNRT0353515	35×35×15	100	46	26	20	1.5	1.5	0.155	80
SSPFNRT0353520	35×35×22	100	46	26	21	1.5	1.5	0.160	80
SSPFNRT0353525	35×35×28	100	48	26	23	1.5	1.5	0.170	50
SSPFNRT0424215	42×42×15	118	52	31	20	1.5	1.5	0.220	51
SSPFNRT0424220	42×42×22	118	52	31	21	1.5	1.5	0.230	70
SSPFNRT0424225	42×42×28	118	53	31	23	1.5	1.5	0.230	60
SSPFNRT0424235	42×42×35	118	56	31	26	1.5	1.5	0.240	50
SSPFNRT0505015	54×54×15	142	55	36	20	1.5	1.5	0.300	38
SSPFNRT0505020	54×54×22	142	57	36	21	1.5	1.5	0.320	32
SSPFNRT0505025	54×54×28	142	56	36	23	1.5	1.5	0.300	32
SSPFNRT0505035	54×54×35	142	62	36	26	1.5	1.5	0.342	32
SSPFNRT0505042	54×54×42	142	67	36	31	1.5	1.5	0.360	32
SSPFNRT0656515	67×67×15	202	65	50	20	1.8	1.5	0.700	15
SSPFNRT0656520	67×67×22	202	66	50	21	1.8	1.5	0.700	15
SSPFNRT0656525	67×67×28	202	68	50	23	1.8	1.5	0.720	15
SSPFNRT0656535	67×67×35	202	72	50	26	1.8	1.5	0.730	15
SSPFNRT0656542	67×67×42	202	76	50	31	1.8	1.5	0.750	15
SSPFNRT0656550	67×67×54	202	83	50	36	1.8	1.5	0.850	12
SSPFNRT0808015	76×76×15	230	69	51	20	2.0	1.5	0.860	12
SSPFNRT0808020	76×76×22	230	69	51	21	2.0	1.5	0.870	12
SSPFNRT0808025	76×76×28	230	71	51	23	2.0	1.5	0.870	12
SSPFNRT0808035	76×76×35	230	77	51	26	2.0	1.5	0.970	12
SSPFNRT0808042	76×76×42	230	81	51	31	2.0	1.5	0.960	11
SSPFNRT0808050	76×76×54	230	87	51	36	2.0	1.5	1.030	10
SSPFNRT0808065	76×76×67	230	105	51	50	2.0	1.8	1.130	10
SSPFNRT10010020	108×108×22	310	85	75	21	2.0	1.5	1.830	4
SSPFNRT10010025	108×108×28	310	87	75	23	2.0	1.5	1.840	4
SSPFNRT10010035	108×108×35	310	91	75	26	2.0	1.5	1.850	4
SSPFNRT10010042	108×108×42	310	97	75	31	2.0	1.5	1.860	4
SSPFNRT10010050	108×108×54	310	102	75	36	2.0	1.5	1.870	4
SSPFNRT10010065	108×108×67	310	120	75	50	2.0	1.8	1.990	3
SSPFNRT10010080	108×108×76	310	125	75	51	2.0	2.0	2.070	3

STAINLESS STEEL 304 PRESS FIT FITTINGS (M PROFILE)



COMPLY WITH BSEN1254-2: 1998

FITTEE


CROSS SECTIONAL VIEW

DIMENSIONS

SKU	SIZE D1xD1xD2 (mm x mm x inch)	L (mm)	H (mm)	h (mm)	h1 (mm)	T (mm)	WEIGHT (kg)	PCS/CTN
SSPFNFIT01515	15×15×1/2" BSP	70	36	20	15.5	1.5	0.072	150
SSPFNFIT02015	22×22×1/2" BSP	76	37	21	15.5	1.5	0.104	140
SSPFNFIT02020	22×22×3/4" BSP	76	39	21	16.0	1.5	0.140	120
SSPFNFIT02515	28×28×1/2" BSP	87	39	23	15.5	1.5	0.134	80
SSPFNFIT02520	28×28×3/4" BSP	87	40	23	16.0	1.5	0.150	60
SSPFNFIT02525	28 X 28 X 1" BSP	87	45	23	20.0	1.5	0.210	60
SSPFNFIT03506	35×35×1/4" BSP	100	42	26	15.5	1.5	0.180	60
SSPFNFIT03515	35×35×1/2" BSP	100	42	26	15.5	1.5	0.185	60
SSPFNFIT03520	35×35×3/4" BSP	100	54	26	16.0	1.5	0.191	60
SSPFNFIT03525	35×35×1" BSP	100	48	26	20.0	1.5	0.170	60
SSPFNFIT03535	35×35×11/4" BSP	100	52	26	21.0	1.5	0.230	40
SSPFNFIT04215	42×42×1/2" BSP	118	47	31	15.5	1.5	0.235	60
SSPFNFIT04220	42×42×3/4" BSP	118	47	31	16.0	1.5	0.240	48
SSPFNFIT04225	42×42×1" BSP	118	53	31	20.0	1.5	0.265	50
SSPFNFIT04235	42×42×11/4" BSP	118	57	31	21.0	1.5	0.300	50
SSPFNFIT04242	42×42×11/2" BSP	118	61	31	25.0	1.5	0.310	40
SSPFNFIT05015	54×54×1/2" BSP	142	55	36	15.5	1.5	0.330	40
SSPFNFIT05020	54×54×3/4" BSP	142	54	36	16.0	1.5	0.357	34
SSPFNFIT05025	54×54×1" BSP	142	59	36	20.0	1.5	0.357	32
SSPFNFIT05035	54×54×11/4" BSP	142	62	36	21.0	1.5	0.350	30
SSPFNFIT05042	54×54×11/2" BSP	142	64	36	21.0	1.5	0.410	30
SSPFNFIT05050	54×54×2" BSP	142	70	36	25.0	1.5	0.480	32
SSPFNFIT06515	67×67×1/2" BSP	202	61	50	15.5	1.8	0.700	18
SSPFNFIT06520	67×67×3/4" BSP	202	61	50	16.0	1.8	0.710	15
SSPFNFIT06525*	67×67×1" BSP	202	66	50	20.0	1.8	0.720	15
SSPFNFIT06535*	67×67×11/4" BSP	202	70	50	21.0	1.8	0.765	15
SSPFNFIT06542*	67×67×11/2" BSP	202	72	50	25.0	1.8	0.800	15
SSPFNFIT06550*	67×67×2" BSP	202	78	50	25.0	1.8	0.820	15
SSPFNFIT08015	76×76×1/2" BSP	230	66	51	15.5	2.0	0.955	12
SSPFNFIT08020	76×76×3/4" BSP	230	66	51	16.0	2.0	0.970	12
SSPFNFIT08025	76×76×1" BSP	230	73	51	20.0	2.0	0.990	12
SSPFNFIT10050	108×108×2" BSP	310	100	75	25.0	2.0	2.050	3

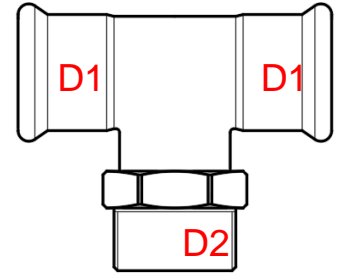
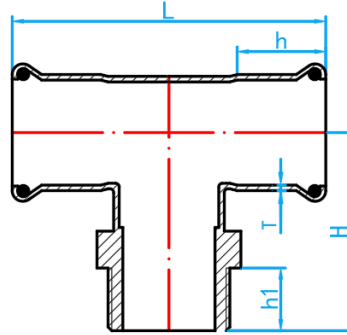
*This item requires special ordering. Please consult with a salesperson for the estimated lead time.

STAINLESS STEEL 304 PRESS FIT FITTINGS (M PROFILE)



COMPLY WITH BSEN1254-2: 1998

MI TEE



CROSS SECTIONAL VIEW

DIMENSIONS

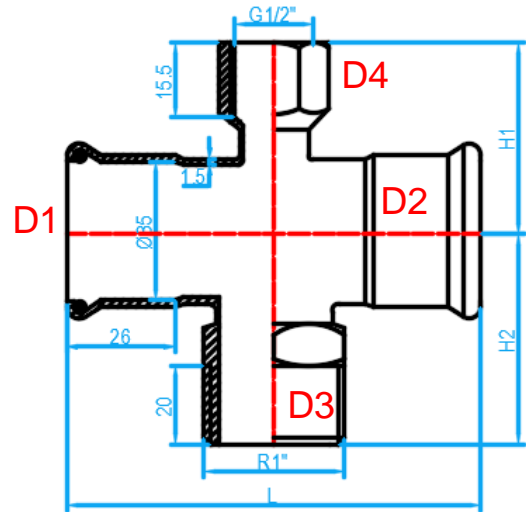
SKU	SIZE D1xD1xD2 (mm x mm x inch)	L (mm)	H (mm)	h (mm)	h1 (mm)	T (mm)	WEIGHT (kg)	PCS/CTN
SSPFNMIT01515	15×15×1/2" BSPT	70	36	20	15	1.5	0.070	200
SSPFNMIT02015	22×22×1/2" BSPT	76	38	21	15	1.5	0.090	140
SSPFNMIT02020	22×22×3/4" BSPT	76	43	21	16	1.5	0.110	100
SSPFNMIT02515	28×28×1/2" BSPT	87	40	23	15	1.5	0.125	80
SSPFNMIT02520	28×28×3/4" BSPT	87	45	23	16	1.5	0.140	80
SSPFNMIT02525	28×28×1" BSPT	87	48	23	18	1.5	0.160	70
SSPFNMIT03506	35×35×1/4" BSPT	100	45	26	15	1.5	0.160	-
SSPFNMIT03515	35×35×1/2" BSPT	100	46	26	15	1.5	0.167	50
SSPFNMIT03520	35×35×3/4" BSPT	100	48	26	16	1.5	0.175	50
SSPFNMIT03525	35×35×1" BSPT	100	53	26	18	1.5	0.200	50
SSPFNMIT03535	35×35×1 1/4" BSPT	100	58	26	20	1.5	0.250	50
SSPFNMIT04215	42×42×1/2" BSPT	118	50	31	15	1.5	0.220	48
SSPFNMIT04220	42×42×3/4" BSPT	118	52	31	16	1.5	0.240	48
SSPFNMIT04225	42×42×1" BSPT	118	54	31	18	1.5	0.260	45
SSPFNMIT04235	42×42×1 1/4" BSPT	118	60	31	20	1.5	0.300	42
SSPFNMIT04242	42×42×1 1/2" BSPT	118	62	31	20	1.5	0.313	35
SSPFNMIT05015	54×54×1/2" BSPT	142	59	36	15	1.5	0.320	44
SSPFNMIT05020	54×54×3/4" BSPT	142	63	36	16	1.5	0.340	40
SSPFNMIT05025	54×54×1" BSPT	142	66	36	18	1.5	0.360	32
SSPFNMIT05035	54×54×1 1/4" BSPT	142	67	36	20	1.5	0.401	35
SSPFNMIT05042	54×54×1 1/2" BSPT	142	68	36	20	1.5	0.420	30
SSPFNMIT05050	54×54×2" BSPT	142	76	36	23	1.5	0.485	28
SSPFNMIT06550	67×67×2" BSPT	202	82	55	25	1.8	0.925	10
SSPFNMIT06565	67×67×2 1/2" BSPT	202	84	55	28	1.8	1.005	10
SSPFNMIT08050	76×76×2" BSPT	230	88	55	27	2.0	1.130	10
SSPFNMIT10050	108×108×2" BSPT	310	105	80	27	2.0	2.040	3
SSPFNMIT10080	108×108×3" BSPT	310	110	80	30	2.0	2.410	3

STAINLESS STEEL 304 PRESS FIT FITTINGS (M PROFILE)

COMPLY WITH BSEN1254-2: 1998



REDUCING CROSS TEE MXF



CROSS SECTIONAL VIEW

DIMENSIONS

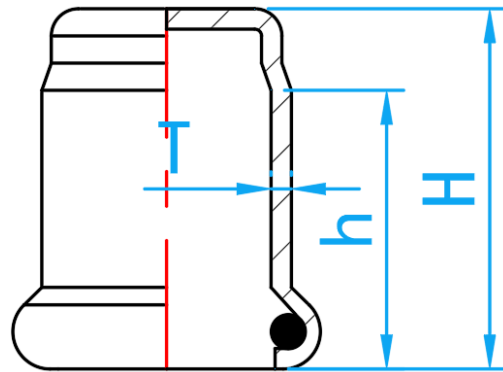
STOCK CODE	SIZE D1xD2xD3xD4 (mm x mm x inch x inch)	L (mm)	H1 (mm)	H2 (mm)	WEIGHT (kg)	PCS/CTN
SSPFNCT03525MI15FI	35X35X1"BSPTX1/2"BSP	100	43	54	0.241	30

STAINLESS STEEL 304 PRESS FIT FITTINGS (M PROFILE)

COMPLY WITH BSEN1254-2: 1998



END CAP



CROSS SECTIONAL VIEW

DIMENSIONS

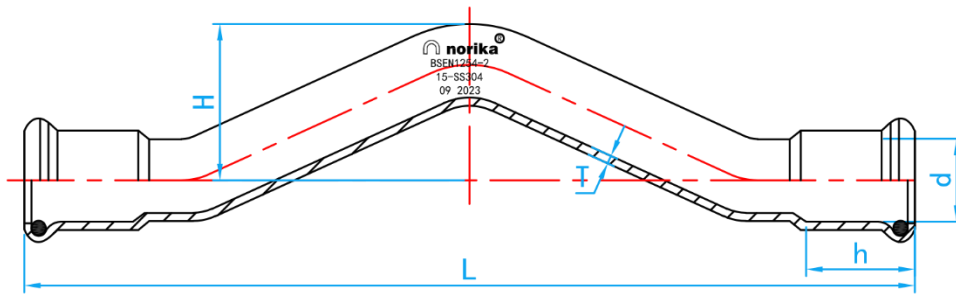
SKU	SIZE (mm)	H (mm)	h (mm)	T (mm)	WEIGHT (kg)	PCS/CTN
SSPFNEC015	15	35	20	1.5	0.024	500
SSPFNEC020	22	35	21	1.5	0.041	300
SSPFNEC025	28	38	23	1.5	0.059	200
SSPFNEC035	35	41	26	1.5	0.077	180
SSPFNEC042	42	48	31	1.5	0.106	120
SSPFNEC050	54	52	36	1.5	0.153	84
SSPFNEC065	67	72	50	1.8	0.280	65
SSPFNEC080	76	83	51	2.0	0.410	36
SSPFNEC100	108	107	75	2.0	0.715	12

STAINLESS STEEL 304 PRESS FIT FITTINGS (M PROFILE)

COMPLY WITH BSEN1254-2: 1998



CROSS OVER



CROSS SECTIONAL VIEW

DIMENSIONS

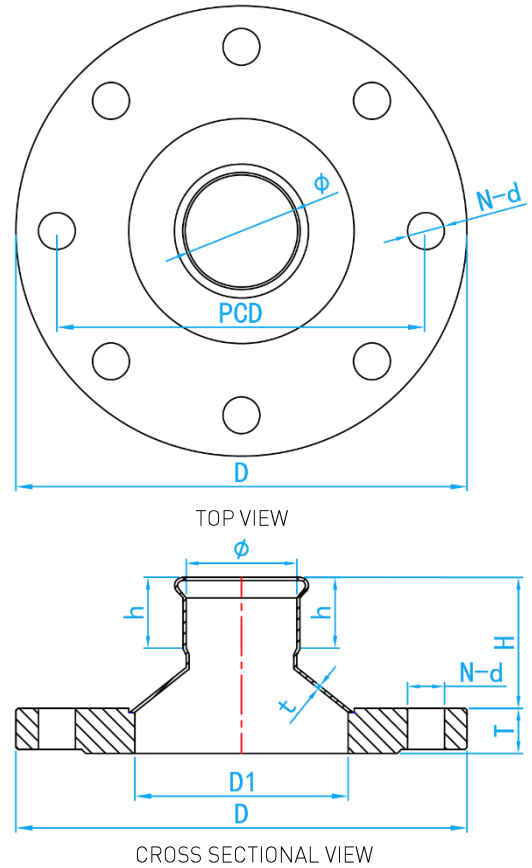
SKU	DN mm	d (mm)	L (mm)	H (mm)	h (mm)	T (mm)	WEIGHT (kg)	PCS/CTN
SSPFNC0015	15	15	168	32.5	20	1.5	0.110	250
SSPFNC0020	22	22	168	40.5	21	1.5	0.142	150
SSPFNC0025	28	28	196	47.5	23	1.5	0.220	100

STAINLESS STEEL 304 PRESS FIT FITTINGS (M PROFILE)

COMPLY WITH BSEN1254-2: 1998



PRESSFIT FLANGE REDUCE SOCKET



DIMENSIONS

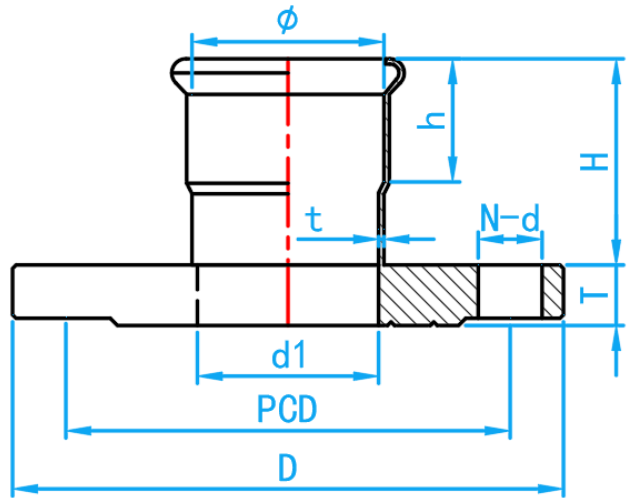
SKU	∅ (mm)	D (mm)	PCD (mm)	D1 (mm)	NO.S OF HOLS	d (mm)	T (mm)	H (mm)	h (mm)	t (mm)	WEIGHT (kg)
SSPFNFLS06550	54	185	145	63	4	18	20	53	36	1.8	3.19
SSPFNFLS08050	54	200	160	85	8	18	20	59	36	1.5	3.92
SSPFNFLS08065	67	200	160	85	8	18	20	71	50	1.8	4.02
SSPFNFLS100050	54	220	180	104	8	18	20	67	36	1.5	4.31
SSPFNFLS100065	67	220	180	104	8	18	20	85	50	1.8	4.42
SSPFNFLS100080	76	220	180	104	8	18	20	85	53	2.0	4.46
SSPFNFLS150065	67	285	240	154	8	22	24	116	50	1.8	8.20
SSPFNFLS150080	76	285	240	154	8	22	24	121	53	2.0	8.23
SSPFNFLS150100	108	285	240	154	8	22	24	140	75	2.0	8.48

STAINLESS STEEL 304 PRESS FIT FITTINGS (M PROFILE)

COMPLY WITH BSEN1254-2: 1998



PRESSFIT FLANGE SOCKET



CROSS SECTIONAL VIEW

DIMENSIONS

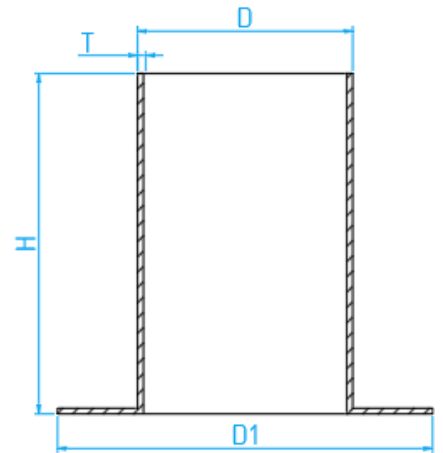
SKU	Ø (mm)	D (mm)	PCD (mm)	d1 (mm)	NO.S OF HOLS	d (mm)	T (mm)	H (mm)	h (mm)	t (mm)	WEIGHT (kg)
SSPFNFLS01515	15	95	65	12	4	14	14	31	20	1.5	0.640
SSPFNFLS02020	22	105	75	18	4	14	16	35	21	1.5	0.940
SSPFNFLS02525	28	115	85	24	4	14	16	40	23	1.5	1.140
SSPFNFLS03535	35	130	100	31	4	18	18	45	26	1.5	1.840
SSPFNFLS04242	42	140	110	38	4	18	18	54	31	1.5	2.150
SSPFNFLS05050	54	155	125	50	4	18	19	67	36	1.5	2.720
SSPFNFLS06565	67	175	145	63	4	18	18	67	50	1.8	3.640
SSPFNFLS08080	76	190	160	72	8	18	20	73	51	2.0	4.140
SSPFNFLS100100	108	210	180	104	8	18	22	86	75	2.0	4.710

STAINLESS STEEL 304 PRESS FIT FITTINGS

COMPLY WITH BSEN1254-2: 1998

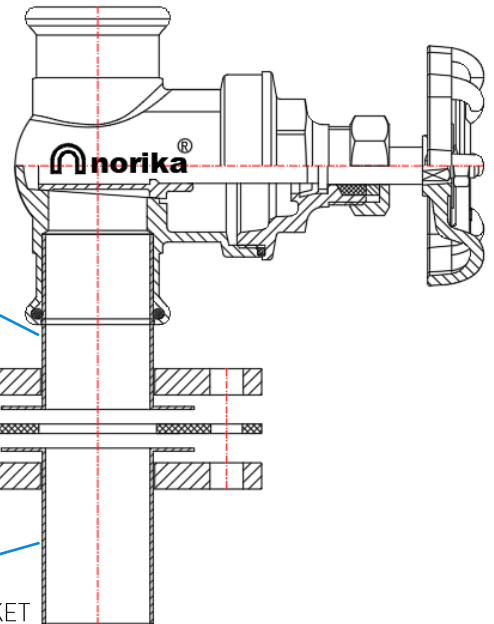


FLANGE SOCKET



CROSS SECTIONAL VIEW

- SS304 FLANGE SOCKET
SKU:SSPFNFP
- DUCTILE IRON FLANGE
SKU: DIFMBL
- EPDM RUBBER GASKET
SKU: RFGN-PUB
- DUCTILE IRON FLANGE
SKU: DIFMBL
- SS304 FLANGE SOCKET
SKU:SSPFNFP

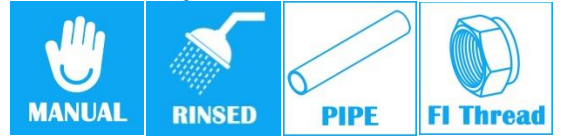


INSTALLATION ASSEMBLY

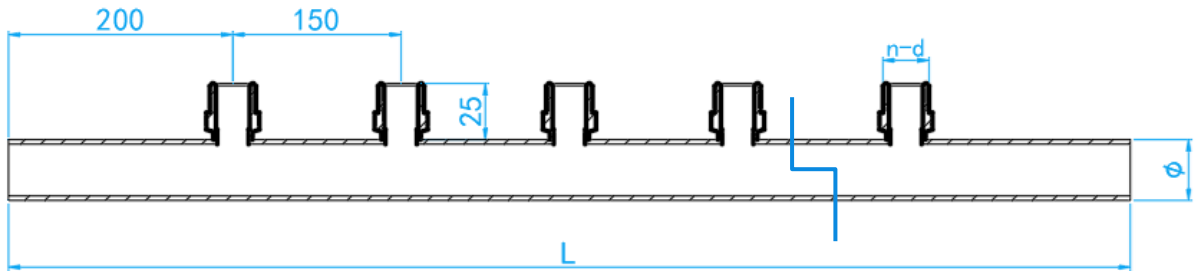
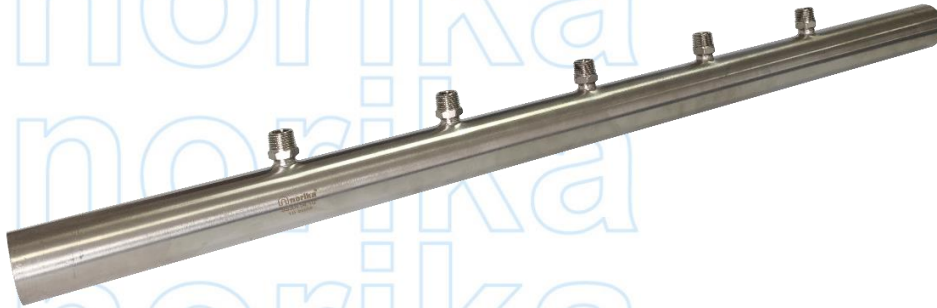
DIMENSIONS

SKU	DN (mm)	D (mm)	D1 (mm)	H (mm)	T (mm)	WEIGHT (kg)	PCS/CTN
SSPFNFP042	42	42.07	97	90	1.5	0.265	30
SSPFNFP050	54	54.07	107	100	1.5	0.352	45
SSPFNFP065	67	66.75	127	140	1.8	0.635	19
SSPFNFP080	76	76.30	142	150	2.0	0.780	14
SSPFNFP100	108	108.25	160	190	2.0	1.180	8

STAINLESS STEEL 304 PRESSFIT SINGLE SIDED MANIFOLDS



COMPLY WITH BSEN1254-2: 1998

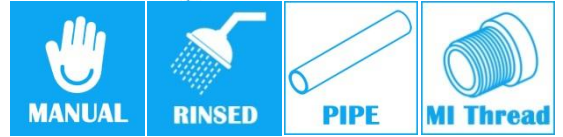


CROSS SECTIONAL VIEW

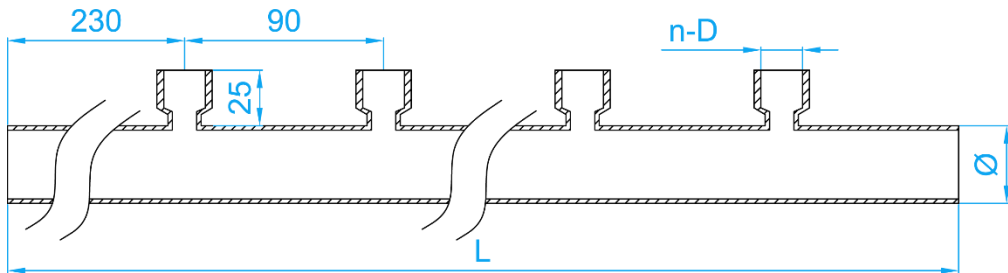
* Size could be customized.

DIMENSIONS				
SKU	$\phi \times$ Thickness (mm)	n-d	L (mm)	WEIGHT (kg)
SS304NM05015MX03	54 × 1.5	3NOS -G1/2" MI	700	1.395
SS304NM05015MX04	54 × 1.5	4NOS -G1/2" MI	850	1.715
SS304NM05015MX05	54 × 1.5	5NOS--G1/2" MI	1000	2.050

STAINLESS STEEL 304 PRESSFIT SINGLE SIDED MANIFOLDS



COMPLY WITH BSEN1254-2: 1998



CROSS SECTIONAL VIEW

* Size could be customized.

DIMENSIONS				
SKU	Ø×Thickness (mm)	n-D	L (mm)	WEIGHT (kg)
SS304NM03515FX04*	35×1.5	4NOS -G1/2" FI	1000	1.450

*This item requires special ordering. Please consult with a salesperson for the estimated lead time.

Built For Water



Main Office

133 Kitchener Road
Singapore 208517

Mon-Fri: 8:00am - 5:30pm
Sat: 8:00am - 1:00pm
Sun & PH: Closed

North Office

10 Admiralty Street, North
Link Building #02-45
Singapore 757695

Mon-Fri: 8:00am - 5:00pm
Sat: 8:00am - 1:00pm
Sun & PH: Closed