

A Product of the nPressGuard® Solution

NORIKA STAINLESS STEEL 316L PRESS FIT FITTINGS (M-PROFILE)





PRODUCT LISTING SCHEME

Certificate Number : STL-COC-Z0077
Issue No : 01

This Certificate is awarded to the following product(s) which has / have complied with the requirements of the listed standard(s).

Applicant : **Liang Chew Hardware Pte Ltd**
133 Kitchener Road
Singapore 208517

Product : Stainless Steel 316L Pipes

Brand / Model : Norika / PIPSS316N

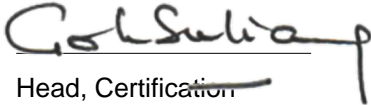
Detail : Sizes (mm): 15, 22, 28, 35, 42, 54, 67, 80, & 100

Test Standard(s) : BS EN 10312: 2002, ASTM E 1086-2014, BS EN 10088-2: 2014, AS/NZS 4020: 2005

Product conformity Certificates are awarded on the basis of an assessment of the following type-test report(s):

2625262-KGT, 2323070-LCH, 2221967/02-CPC, 1920519/01-OYC, 1920519/03-CPC

Date of Original Issue : 06 February 2026
Date of Last Revision : NA
Date of Expiry : 05 February 2028


Head, Certification
Singapore Test Lab Pte Ltd

Page 1 of 1

This Certificate is part of a full report and should be read in conjunction with it. This Certificate remains the property of Singapore Test Lab Pte Ltd and shall be returned upon request. The use of this Certificate is subjected to the Terms and Conditions of Singapore Test Lab Pte Ltd. The manufacturer is solely responsible for the compliance of any product that has the same designation as the product type-tested.



Singapore Test Lab Pte Ltd certifies according to ISO / IEC 17065





PRODUCT LISTING SCHEME

Certificate Number : STL-COC-Z0076
Issue No : 01

This Certificate is awarded to the following product(s) which has / have complied with the requirements of the listed standard(s).

Applicant : **Liang Chew Hardware Pte Ltd**
 133 Kitchener Road
 Singapore 208517

Product : Stainless Steel 316L Press Fit Fittings

Brand / Model : Norika / SS316LPFN


Detail : Sizes (mm): 15, 22, 28, 35, 42, 54, 67, 80 & 100

Test Standard(s) : BS EN 1254-2: 1998, AS 3688: 2006, SS 375: 2015, AS/NZS 4020: 2005, SS 270: 2015, ASTM E1086-2014

Product conformity Certificates are awarded on the basis of an assessment of the following type-test report(s):

2625260-KGT, 2323069-LCH, 1920519/02-OYC, FB8500287176, 1920519/03-CPC, 2221990-OYC, 1920519/04-CPC

Date of Original Issue : 06 February 2026
Date of Last Revision : NA
Date of Expiry : 05 February 2028


 Head, Certification
 Singapore Test Lab Pte Ltd

Page 1 of 1

This Certificate is part of a full report and should be read in conjunction with it. This Certificate remains the property of Singapore Test Lab Pte Ltd and shall be returned upon request. The use of this Certificate is subjected to the Terms and Conditions of Singapore Test Lab Pte Ltd. The manufacturer is solely responsible for the compliance of any product that has the same designation as the product type-tested.



Singapore Test Lab Pte Ltd certifies according to ISO / IEC 17065

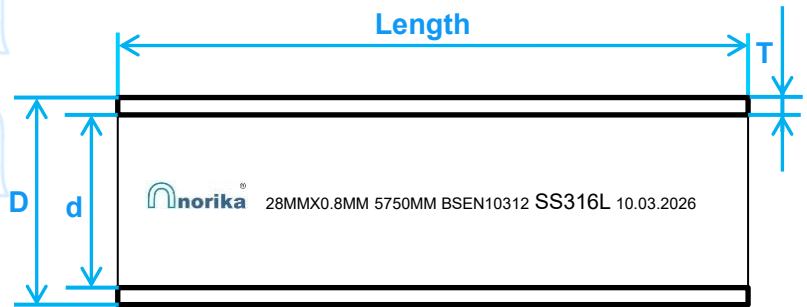
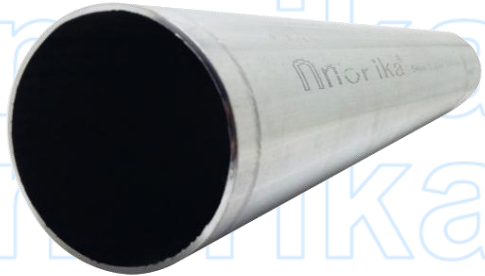


STAINLESS STEEL 316L PIPE WITH POLISHED FINISHING

COMPLY WITH BSEN10312:2002



A Product of the nPressGuard® Solution

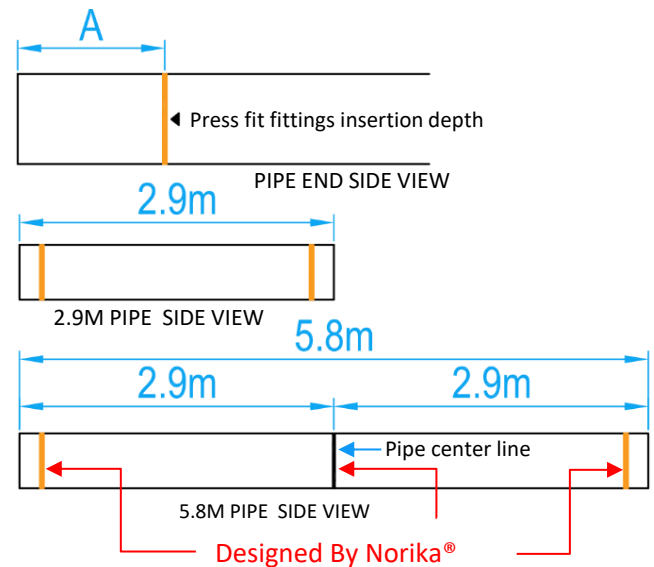


CROSS SECTION VIEW

* Polished finishing for improved appearance, enhanced rust resistance, easier cleaning, and longer service life.

STANDARD SPECIFICATIONS

Working Pressure	25 Bar 362 PSI
Working Temperature	0 ~ 85°C
Standard Length	5.8 meters
Material	Stainless steel 316L
Melting Point	1375-1400°C (2507-2552°F)
Surface Finish	Polished



DIMENSIONS

SKU	DN	D (mm)	d (mm)	T (mm)	Insertion Depth A (mm)	L (mm)	WEIGHT (kg)	2.9m PIPE		
								SKU	L (mm)	WEIGHT (kg)
PIPSS316L015	15	15.06-15.15	13.8	0.6	20	5800	1.250	PIPSS316L015-2.9M	2900	0.624
PIPSS316L020	22	22.07-22.18	20.6	0.7	21	5800	2.420	PIPSS316L020-2.9M	2900	1.106
PIPSS316L025	28	28.07-28.18	26.4	0.8	22	5800	3.110	PIPSS316L025-2.9M	2900	1.418
PIPSS316L035	35	35.09-35.23	33.0	1.0	26	5800	4.990	PIPSS316L035-2.9M	2900	2.265
PIPSS316L042	42	42.09-42.23	39.8	1.1	30	5800	6.430	PIPSS316L042-2.9M	2900	3.393
PIPSS316L050	54	54.09-54.23	51.6	1.2	35	5800	9.010	PIPSS316L050-2.9M	2900	4.390
PIPSS316L065	67	66.80-67.03	64.6	1.2	50	5800	11.16	PIPSS316L065-2.9M	2900	5.635
PIPSS316L080	76	76.20-76.43	73.0	1.5	51	5800	15.93	PIPSS316L080-2.9M	2900	8.300
PIPSS316L100	108	108.10-108.33	105.0	1.5	75	5800	22.66	PIPSS316L100-2.9M	2900	11.900

NOTE:

1. Wall thickness tolerance standard is $\pm 10\%$.
2. The 5.8m length pipes comes with a pre-cut length of 2.9m (as shown above).

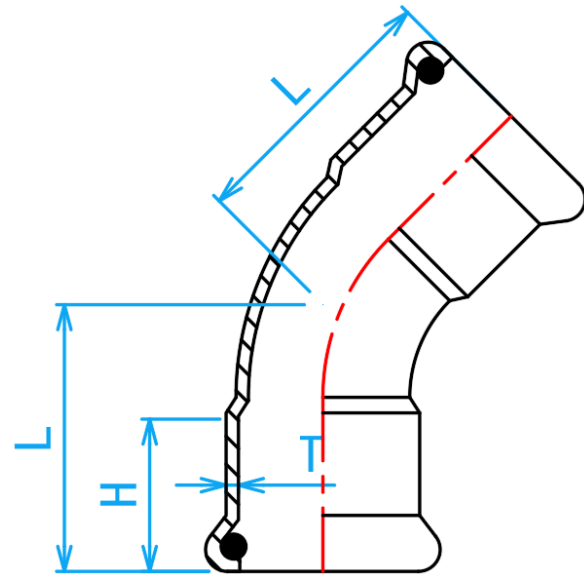
STAINLESS STEEL 316L PRESS FIT FITTINGS (M PROFILE)

COMPLY WITH BSEN1254-2: 1998

45° ELBOW



A Product of the nPressGuard® Solution



CROSS SECTIONAL VIEW

STANDARD SPECIFICATION

Working Pressure	16 Bar
Working Temperature	0 ~ 85°C
Applications	Hot and cold potable water system.

DIMENSIONS

SKU	SIZE (mm)	L (mm)	H (mm)	T (mm)	WEIGHT (kg)	PCS/CTN
SS316LPFNE45015	15	31	20	1.5	0.037	400
SS316LPFNE45020	22	33	21	1.5	0.065	160
SS316LPFNE45025	28	40	23	1.5	0.090	120
SS316LPFNE45035	35	45	26	1.5	0.125	140
SS316LPFNE45042	42	54	31	1.5	0.217	80
SS316LPFNE45050	54	65	36	1.5	0.268	48
SS316LPFNE45065	65	93	50	1.8	0.604	18
SS316LPFNE45080	76	98	51	2.0	0.812	12
SS316LPFNE45100	108	133	75	2.0	1.615	4

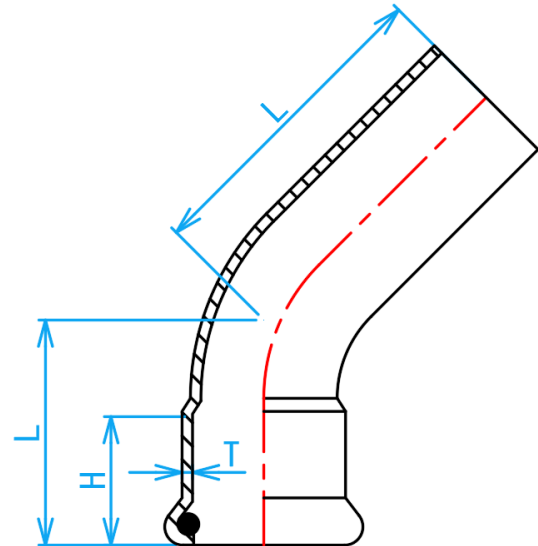
STAINLESS STEEL 316L PRESS FIT FITTINGS (M PROFILE)

COMPLY WITH BSEN1254-2: 1998

MXF 45° ELBOW



A Product of the nPressGuard® Solution



STANDARD SPECIFICATION

Working Pressure	16 Bar
Working Temperature	0 ~ 85°C
Applications	Hot and cold potable water system.

CROSS SECTIONAL VIEW

DIMENSIONS

SKU	SIZE (mm)	L (mm)	L1 (mm)	H (mm)	T (mm)	WEIGHT (kg)	PCS/CTN
SS316LPFNE45015MF	15	35	31	20	1.5	0.036	360
SS316LPFNE45020MF	22	36	37	21	1.5	0.060	200
SS316LPFNE45025MF	28	42	38	23	1.5	0.109	120
SS316LPFNE45035MF	35	53	45	26	1.5	0.148	150
SS316LPFNE45042MF	42	61	54	31	1.5	0.180	60
SS316LPFNE45050MF	54	73	63	36	1.5	0.270	48
SS316LPFNE45065MF	67	106	93	50	1.8	0.600	15
SS316LPFNE45080MF	76	120	97	51	2.0	0.837	12
SS316LPFNE45100MF	108	164	130	75	2.0	1.600	4

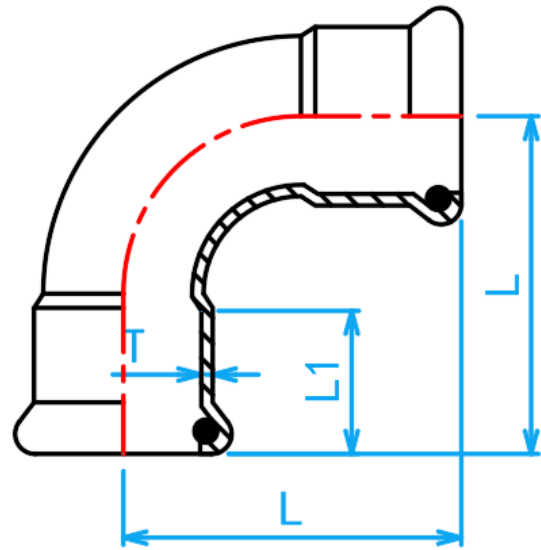
STAINLESS STEEL 316L PRESS FIT FITTINGS (M PROFILE)

COMPLY WITH BSEN1254-2: 1998

90° ELBOW



A Product of the nPressGuard® Solution



CROSS SECTIONAL VIEW

STANDARD SPECIFICATION

Working Pressure	16 Bar
Working Temperature	0 ~ 85°C
Applications	Hot and cold potable water system.

DIMENSIONS

SKU	SIZE (mm)	L (mm)	L1 (mm)	T (mm)	WEIGHT (kg)	PCS/CTN
SS316LPFNE90015	15	42	20	1.5	0.045	300
SS316LPFNE90020	22	51	21	1.5	0.077	150
SS316LPFNE90025	28	60	23	1.5	0.124	150
SS316LPFNE90035	35	72	26	1.5	0.165	100
SS316LPFNE90042	42	85	31	1.5	0.239	60
SS316LPFNE90050	54	105	36	1.5	0.375	32
SS316LPFNE90065	67	143	50	1.8	0.825	13
SS316LPFNE90080	76	150	51	2.0	0.990	12
SS316LPFNE90100	108	221	75	2.0	2.110	4

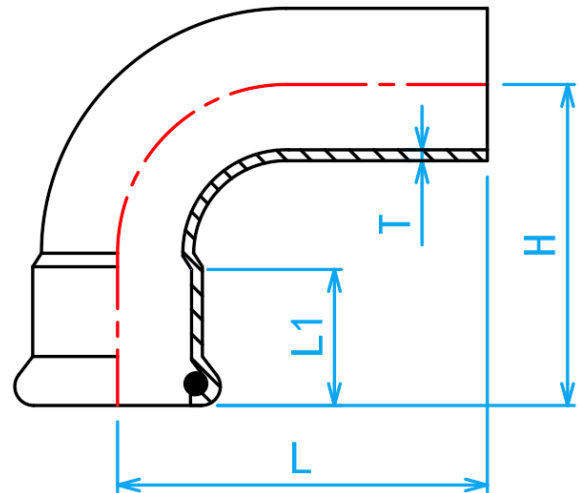
STAINLESS STEEL 316L PRESS FIT FITTINGS (M PROFILE)

COMPLY WITH BSEN1254-2: 1998

MXF 90° ELBOW



A Product of the nPressGuard® Solution



CROSS SECTIONAL VIEW

STANDARD SPECIFICATION

Working Pressure	16 Bar
Working Temperature	0 ~ 85°C
Applications	Hot and cold potable water system.

DIMENSIONS

SKU	SIZE (mm)	L (mm)	L1 (mm)	H (mm)	T (mm)	WEIGHT (kg)	PCS/CTN
SS316LPFNE90015MF	15	42	20	44	1.5	0.042	360
SS316LPFNE90020MF	22	51	21	55	1.5	0.093	150
SS316LPFNE90025MF	28	60	23	68	1.5	0.131	160
SS316LPFNE90035MF	35	72	26	89	1.5	0.212	100
SS316LPFNE90042MF	42	85	31	95	1.5	0.268	60
SS316LPFNE90050MF	54	105	36	113	1.5	0.415	30
SS316LPFNE90065MF	67	140	50	150	1.8	0.800	15
SS316LPFNE90080MF	76	150	51	182	2.0	1.026	12
SS316LPFNE90100MF	108	221	75	238	2.0	2.206	4

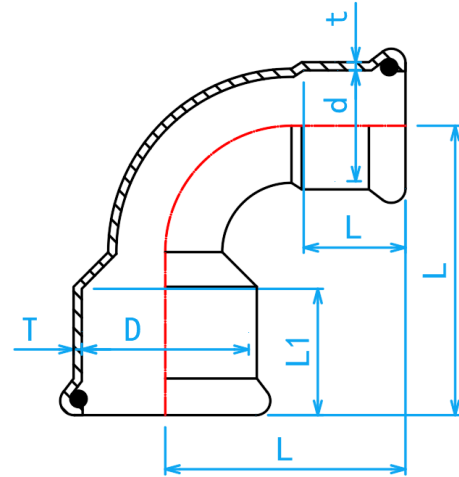
STAINLESS STEEL 316L PRESSFIT FITTINGS (M PROFILE)

COMPLY WITH BSEN1254-2: 1998

REDUCER 90° ELBOW



A Product of the nPressGuard® Solution



CROSS SECTIONAL VIEW

STANDARD SPECIFICATION

Working Pressure	16 Bar
Working Temperature	0 ~ 85°C
Applications	Hot and cold potable water system.

DIMENSIONS

SKU	SIZE (mm)	H (mm)	L (mm)	h (mm)	h1 (mm)	T (mm)	t (mm)	WEIGHT (kg)	PCS/CTN
SS316LPFNRE9002015	22x15	52	43	21	20	1.5	1.5	0.065	160
SS316LPFNRE9002515	28x15	60	43	23	20	1.5	1.5	0.075	140
SS316LPFNRE9002520	28x22	62	50	23	21	1.5	1.5	0.095	160
SS316LPFNRE9003515	35x15	63	43	26	20	1.5	1.5	0.100	100
SS316LPFNRE9003520	35x22	70	50	26	21	1.5	1.5	0.115	80
SS316LPFNRE9003525	35x28	76	60	26	23	1.5	1.5	0.135	70
SS316LPFNRE9004215	42x15	72	43	31	20	1.5	1.5	0.125	60
SS316LPFNRE9004220	42x22	73	50	31	21	1.5	1.5	0.145	60
SS316LPFNRE9004225	42x28	84	60	31	23	1.5	1.5	0.165	60
SS316LPFNRE9004235*	42x35	87	72	31	26	1.5	1.5	0.200	60
SS316LPFNRE9005015	54x15	82	43	36	20	1.5	1.5	0.170	56
SS316LPFNRE9005020	54x22	87	50	36	21	1.5	1.5	0.186	56
SS316LPFNRE9005025	54x28	93	60	36	23	1.5	1.5	0.215	56
SS316LPFNRE9005035	54x35	97	72	36	26	1.5	1.5	0.245	30
SS316LPFNRE9005042	54x42	105	85	36	31	1.5	1.5	0.298	30
SS316LPFNRE9006525	67x28	115	60	50	23	1.8	1.5	0.354	15
SS316LPFNRE9006535	67x35	118	72	50	26	1.8	1.5	0.394	15
SS316LPFNRE9006542	67x42	84	85	50	31	1.8	1.5	0.428	15
SS316LPFNRE9006550	67x54	108	105	50	36	1.8	1.5	0.523	15

*This item requires special ordering. Please consult with a salesperson for the estimated lead time.

STAINLESS STEEL 316L

PRESS FIT FITTINGS

(M PROFILE)

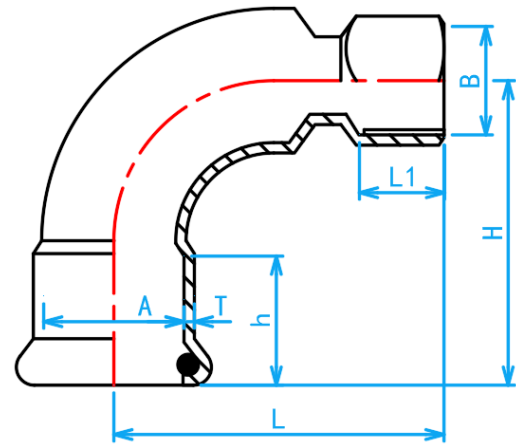


A Product of the nPressGuard® Solution



COMPLY WITH BSEN1254-2: 1998

FI 90° ELBOW



CROSS SECTIONAL VIEW

STANDARD SPECIFICATION

Working Pressure	16 Bar
Working Temperature	0 ~ 85°C
Applications	Hot and cold potable water system.

DIMENSIONS

SKU	A × B (mm × inch)	L (mm)	H (mm)	h (mm)	L1 (mm)	T (mm)	WEIGHT (kg)	PCS/CTN
SS316LFIE01515	15 × 1/2" BSP	43	43	20	15.5	1.5	0.060	300
SS316LFIE02015	22 × 1/2" BSP	43	50	21	15.5	1.5	0.078	160
SS316LFIE02020	22 × 3/4" BSP	48	50	21	16.0	1.5	0.090	160
SS316LFIE02515*	28 × 1/2" BSP	68	60	23	15.5	1.5	0.115	160
SS316LFIE02520*	28 × 3/4" BSP	55	60	23	16.0	1.5	0.128	80
SS316LFIE02525	28 × 1" BSP	62	60	23	20.0	1.5	0.146	70
SS316LFIE03515	35 × 1/2" BSP	76	72	26	15.5	1.5	0.165	60
SS316LFIE03520*	35 × 3/4" BSP	76	72	26	16.0	1.5	0.170	60
SS316LFIE03525	35 × 1" BSP	65	72	26	20.0	1.5	0.195	60
SS316LFIE03525L	35 × 1" BSP	80	90	26	20.0	1.5	0.230	40
SS316LFIE03535	35 × 1 1/4" BSP	68	72	26	22.0	1.5	0.235	80
SS316LFIE04215*	42 × 1/2" BSP	86	85	31	15.5	1.5	0.165	30
SS316LFIE04220*	42 × 3/4" BSP	83	85	31	16.0	1.5	0.233	30
SS316LFIE04225*	42 × 1" BSP	90	85	31	20.0	1.5	0.260	30
SS316LFIE04235*	42 × 1 1/4" BSP	98	85	31	22.0	1.5	0.278	30
SS316LFIE04242	42 × 1 1/2" BSP	80	85	31	25.0	1.5	0.300	30
SS316LFIE05015*	54 × 1/2" BSP	97	105	35	15.5	1.5	0.337	21
SS316LFIE05020*	54 × 3/4" BSP	100	105	35	20.0	1.5	0.345	25
SS316LFIE05025*	54 × 1" BSP	102	105	35	22.0	1.5	0.378	25
SS316LFIE05035	54 × 1 1/4" BSP	106	105	35	24.0	1.5	0.403	25
SS316LFIE05042*	54 × 1 1/2" BSP	100	105	35	25.0	1.5	0.396	25
SS316LFIE05050	54 × 2" BSP	93	105	36	25.0	1.5	0.460	30
SS316LFIE06565	67 × 2 1/2" BSP	133	143	50	28.0	1.8	0.970	15

*This item requires special ordering. Please consult with a salesperson for the estimated lead time.

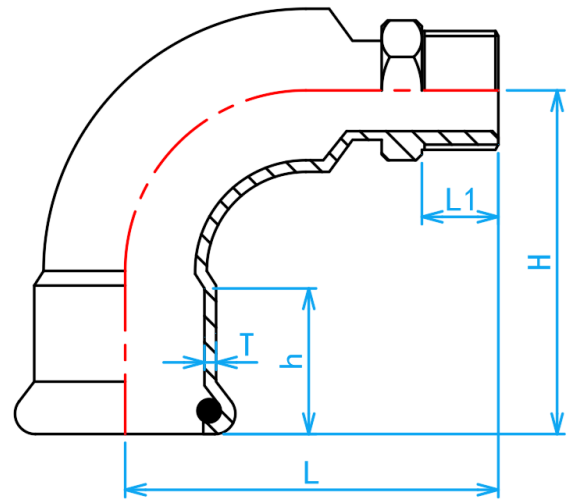
STAINLESS STEEL 316L PRESS FIT FITTINGS (M PROFILE)

COMPLY WITH BSEN1254-2: 1998

MI 90° ELBOW



A Product of the nPressGuard® Solution



CROSS SECTIONAL VIEW

STANDARD SPECIFICATION

Working Pressure	16 Bar
Working Temperature	0 ~ 85°C
Applications	Hot and cold potable water system.

DIMENSIONS

SKU	SIZE (mm × inch)	H (mm)	L (mm)	h (mm)	L1 (mm)	T (mm)	WEIGHT (kg)	PCS/CTN
SS316LPFNMI01515	15 × 1/2" BSPT	43.0	42.0	20	15	1.5	0.060	300
SS316LPFNMI02015	22 × 1/2" BSPT	50.0	46.0	21	15	1.5	0.080	200
SS316LPFNMI02020	22 × 3/4" BSPT	50.0	50.0	21	16	1.5	0.092	160
SS316LPFNMI02515	28 × 1/2" BSPT	60.0	68.0	23	19	1.5	0.120	100
SS316LPFNMI02525	28 × 1" BSPT	60.0	68.0	23	19	1.5	0.145	70
SS316LPFNMI03515*	35 × 1/2" BSPT	72.0	78.0	26	15	1.5	0.162	50
SS316LPFNMI03525*	35 × 1" BSPT	72.0	73.0	26	19	1.5	0.180	50
SS316LPFNMI03535	35 × 11/4" BSPT	72.0	74.0	26	21	1.5	0.225	55
SS316LPFNMI04225*	42 × 1" BSPT	85.0	93.0	26	19	1.5	0.255	50
SS316LPFNMI04242	42 × 11/2" BSPT	85.0	84.0	31	21	1.5	0.300	33
SS316LPFNMI05025	54 × 1" BSPT	105.0	112.0	36	19	1.5	0.365	40
SS316LPFNMI05050	54 × 2" BSPT	105.0	105.0	36	26	1.5	0.485	21
SS316LPFNMI06565	67 × 21/2" BSPT	143.0	131.5	50	26	1.8	0.970	12

*This item requires special ordering. Please consult with a salesperson for the estimated lead time.

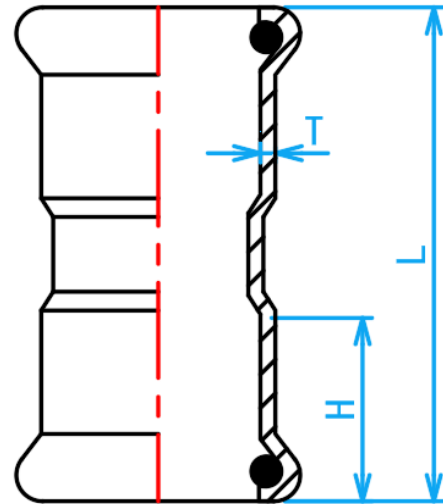
STAINLESS STEEL 316L PRESS FIT FITTINGS (M PROFILE)

COMPLY WITH BSEN1254-2: 1998

EQUAL SOCKET



A Product of the nPressGuard® Solution



CROSS SECTIONAL VIEW

STANDARD SPECIFICATION

Working Pressure	16 Bar
Working Temperature	0 ~ 85°C
Applications	Hot and cold potable water system.

DIMENSIONS

SKU	SIZE (mm)	L (mm)	H (mm)	T (mm)	WEIGHT (kg)	PCS/CTN
SS316LPFNES015	15	53	20	1.5	0.036	420
SS316LPFNES020	22	55	21	1.5	0.056	200
SS316LPFNES025	28	59	23	1.5	0.074	140
SS316LPFNES035	35	65	26	1.5	0.099	160
SS316LPFNES042	42	76	31	1.5	0.144	120
SS316LPFNES050	54	88	36	1.5	0.209	74
SS316LPFNES065	67	124	50	1.8	0.416	33
SS316LPFNES080	76	134	51	2.0	0.520	20
SS316LPFNES100	108	182	75	2.0	1.130	6

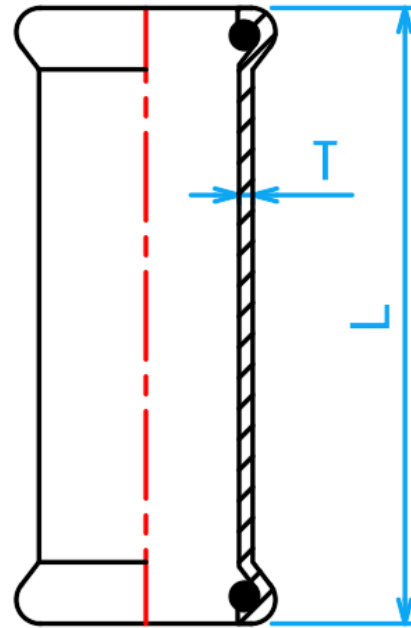
STAINLESS STEEL 316L PRESS FIT FITTINGS (M PROFILE)

COMPLY WITH BSEN1254-2: 1998

LONG EQUAL SOCKET



A Product of the nPressGuard® Solution



CROSS SECTIONAL VIEW

STANDARD SPECIFICATION

Working Pressure	16 Bar
Working Temperature	0 ~ 85°C
Applications	Hot and cold potable water system.

DIMENSIONS

SKU	SIZE (mm)	L (mm)	T (mm)	WEIGHT (kg)	PCS/CTN
SS316LPFNES015L	15	80	1.5	0.053	250
SS316LPFNES020L	22	85	1.5	0.086	120
SS316LPFNES025L	28	95	1.5	0.120	100
SS316LPFNES035L	35	105	1.5	0.150	60
SS316LPFNES042L	42	120	1.5	0.250	70
S316SLPFNES050L	54	135	1.5	0.290	40
SS316LPFNES065L	67	200	1.8	0.690	20
SS316LPFNES080L	76	225	2.0	0.900	15
SS316PFNES0100L	108	315	2.0	1.860	4

STAINLESS STEEL 316L

PRESS FIT FITTINGS

(M PROFILE)

COMPLY WITH BSEN1254-2: 1998

REDUCEING SOCKET



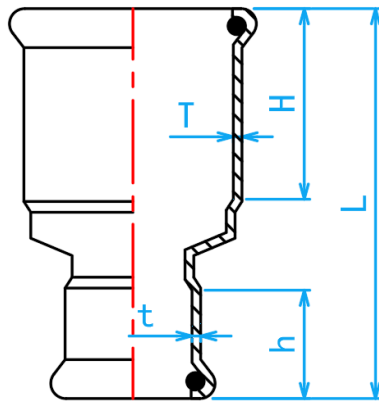
A Product of the nPressGuard® Solution



STANDARD SPECIFICATION

Working Pressure	16 Bar
Working Temperature	0 ~ 85°C
Applications	Hot and cold potable water system.

DIMENSIONS



CROSS SECTIONAL VIEW

SKU	SIZE (mm)	L (mm)	H (mm)	h (mm)	T (mm)	t (mm)	WEIGHT (kg)	PCS/CT N
SS316LPFNRS02015	22×15	63	21	20	1.5	1.5	0.054	200
SS316LPFNRS02515	28×15	68	23	20	1.5	1.5	0.068	160
SS316LPFNRS02520	28×22	65	23	21	1.5	1.5	0.075	130
SS316LPFNRS03515	35×15	73	26	20	1.5	1.5	0.087	160
SS316LPFNRS03520	35×22	73	26	21	1.5	1.5	0.083	120
SS316LPFNRS03525	35×28	74	26	23	1.5	1.5	0.097	80
SS316LPFNRS04215	42×15	83	31	20	1.5	1.5	0.110	120
SS316LPFNRS04220	42×22	80	31	21	1.5	1.5	0.122	130
SS316LPFNRS04225	42×28	80	31	23	1.5	1.5	0.125	100
SS316LPFNRS04235	42×35	82	31	26	1.5	1.5	0.133	70
SS316LPFNRS05015	54×15	93	36	20	1.5	1.5	0.166	70
SS316LPFNRS05020	54×22	92	36	21	1.5	1.5	0.162	70
SS316LPFNRS05025	54×28	93	36	23	1.5	1.5	0.175	100
SS316LPFNRS05035	54×35	94	36	26	1.5	1.5	0.180	70
SS316LPFNRS05042	54×42	94	36	31	1.5	1.5	0.207	70
SS316LPFNRS06515	67×15	114	50	20	1.8	1.5	0.300	25
SS316LPFNRS06520	67×22	114	50	21	1.8	1.5	0.310	25
SS316LPFNRS06525	67×28	116	50	23	1.8	1.5	0.300	25
SS316LPFNRS06535	67×35	115	50	26	1.8	1.5	0.310	25
SS316LPFNRS06542	67×42	117	50	31	1.8	1.5	0.320	25
SS316LPFNRS06550	67×54	119	50	36	1.8	1.5	0.347	36
SS316LPFNRS08025	76×28	120	51	23	2.0	1.5	0.380	20
SS316LPFNRS08035	76×35	123	51	26	2.0	1.5	0.400	20
SS316LPFNRS08042	76×42	128	51	31	2.0	1.5	0.435	20
SS316LPFNRS08050	76×54	129	51	36	2.0	1.5	0.430	36
SS316LPFNRS08065	76×67	141	51	50	2.0	1.8	0.520	20
SS316LPFNRS10042	108×42	158	75	31	2.0	1.5	0.790	12
SS316LPFNRS10050	108×54	162	75	36	2.0	1.5	0.810	12
SS316LPFNRS10065	108×67	180	75	50	2.0	1.8	0.905	12
SS316LPFNRS10080	108×76	180	75	51	2.0	2.0	0.942	12

STAINLESS STEEL 316L

PRESS FIT FITTINGS

(M PROFILE)

COMPLY WITH BSEN1254-2: 1998

MXF REDUCER



A Product of the nPressGuard® Solution

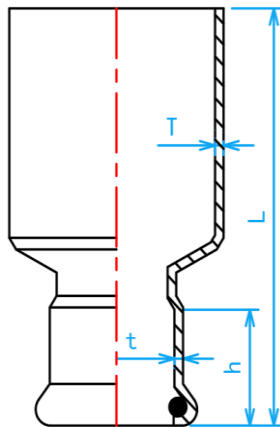


STANDARD SPECIFICATION

Working Pressure	16 Bar
Working Temperature	0 ~ 85°C
Applications	Hot and cold potable water system.

DIMENSIONS

SKU	SIZE (mm)	H (mm)	h (mm)	T (mm)	T1 (mm)	WEIGHT (kg)	PCS/C TN
SS316LPFNRS02015MF	22×15	68	20	1.5	1.5	0.048	300
SS316LPFNRS02515MF	28×15	73	20	1.5	1.5	0.059	300
SS316LPFNRS02520MF	28×22	71	21	1.5	1.5	0.065	250
SS316LPFNRS03515MF	35×15	81	20	1.5	1.5	0.080	160
SS316LPFNRS03520MF	35×22	80	21	1.5	1.5	0.091	100
SS316LPFNRS03525MF	35×28	80	23	1.5	1.5	0.089	80
SS316LPFNRS04215MF	42×15	90	20	1.5	1.5	0.110	80
SS316LPFNRS04220MF	42×22	87	21	1.5	1.5	0.116	100
SS316LPFNRS04225MF	42×28	87	23	1.5	1.5	0.124	110
SS316LPFNRS04235MF	42×35	88	26	1.5	1.5	0.125	60
SS316LPFNRS05015MF	54×15	105	20	1.5	1.5	0.162	77
SS316LPFNRS05020MF	54×22	104	21	1.5	1.5	0.170	77
SS316LPFNRS05025MF	54×28	102	23	1.5	1.5	0.175	100
SS316LPFNRS05035MF	54×35	104	26	1.5	1.5	0.185	90
SS316LPFNRS05042MF	54×42	103	31	1.5	1.5	0.195	80
SS316LPFNRS06525MF	67×28	127	23	1.8	1.5	0.320	40
SS316LPFNRS06535MF	67×35	128	26	1.8	1.5	0.316	40
SS316LPFNRS06542MF	67×42	130	31	1.8	1.5	0.330	40
SS316LPFNRS06550MF	67×54	132	36	1.8	1.5	0.350	40
SS316LPFNRS08025MF	76×28	140	23	2.0	1.5	0.425	20
SS316LPFNRS08035MF	76×35	141	26	2.0	1.5	0.435	20
SS316LPFNRS08042MF*	76×42	145	31	2.0	1.5	0.470	20
SS316LPFNRS08050MF	76×54	147	36	2.0	1.5	0.470	30
SS316LPFNRS08065MF	76×67	162	50	2.0	1.8	0.560	21
SS316LPFNRS10042MF*	108×42	180	31	2.0	1.5	0.810	12
SS316LPFNRS10050MF	108×54	182	36	2.0	1.5	0.830	10
SS316LPFNRS10065MF	108×67	195	50	2.0	1.8	0.920	9
SS316LPFNRS10080MF	108×76	198	51	2.0	2.0	0.960	9



CROSS SECTIONAL VIEW

*This item requires special ordering. Please consult with a salesperson for the estimated lead time.

STAINLESS STEEL 316L

PRESS FIT FITTINGS

(M PROFILE)

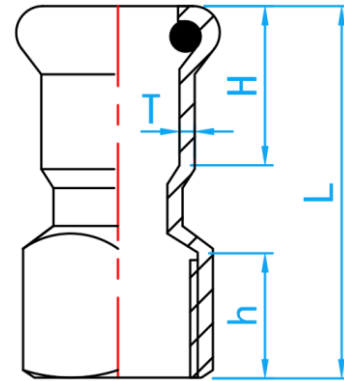


A Product of the nPressGuard® Solution



COMPLY WITH BSEN1254-2: 1998

FI SOCKET



CROSS SECTIONAL VIEW

STANDARD SPECIFICATION

Working Pressure	16 Bar
Working Temperature	0 ~ 85°C
Applications	Hot and cold potable water system.

DIMENSIONS

SKU	SIZE (mm x inch)	L(mm)	H(mm)	h(mm)	T (mm)	WEIGHT(kg)	PCS/CTN
SS316LFIA01515	15 × 1/2" BSP	52	20	15.5	1.5	0.050	300
SS316LFIA02015*	22 × 1/2" BSP	50	20	15.5	1.5	0.055	240
SS316LFIA02020	22 × 3/4" BSP	50	21	16.0	1.5	0.070	170
SS316LFIA02515*	28 × 1/2" BSP	65	23	15.5	1.5	0.075	100
SS316LFIA02520*	28 × 3/4" BSP	54	23	16.0	1.5	0.080	100
SS316LFIA02525	28 × 1" BSP	57	23	20.0	1.5	0.110	120
SS316LFIA03515*	35 × 1/2" BSP	72	26	15.5	1.5	0.095	80
SS316LFIA03520*	35 × 3/4" BSP	70	26	16.0	1.5	0.110	70
SS316LFIA03525*	35 × 1" BSP	64	26	20.0	1.5	0.180	80
SS316LFIA03535	35 × 1 1/4" BSP	65	26	22.0	1.5	0.150	75
SS316LFIA03542*	35 × 1 1/2" BSP	77	26	25.0	1.5	0.185	60
SS316LFIA04215	42 × 1/2" BSP	80	31	15.5	1.5	0.134	120
SS316LFIA04220*	42 × 3/4" BSP	77	31	16.0	1.5	0.135	120
SS316LFIA04225*	42 × 1" BSP	80	31	20.0	1.5	0.155	100
SS316LFIA04235*	42 × 1 1/4" BSP	70	31	22.0	1.5	0.170	100
SS316LFIA04242	42 × 1 1/2" BSP	71	31	25.0	1.5	0.200	60
SS316LFIA04250*	42 × 2" BSP	90	31	25.0	1.5	0.280	50
SS316LFIA05015	54 × 1/2" BSP	90	36	15.5	1.5	0.170	70
SS316LFIA05020*	54 × 3/4" BSP	90	36	16.0	1.5	0.178	60
SS316LFIA05025*	54 × 1" BSP	92	36	20.0	1.5	0.205	60
SS316LFIA05035*	54 × 1 1/4" BSP	92	36	22.0	1.5	0.229	60
SS316LFIA05042*	54 × 1 1/2" BSP	92	36	25.0	1.5	0.246	36
SS316LFIA05050	54 × 2" BSP	84	35	25.0	1.5	0.285	36
SS316LFIA06515	67 × 1/2" BSP	111	50	15.5	1.8	0.310	28
SS316LFIA06550*	67 × 2" BSP	115	50	25.0	1.8	0.435	15
SS316LFIA06565	67 × 2 1/2" BSP	115	50	28.0	1.8	0.570	15
SS316LFIA08015	76 × 1/2" BSP	120	51	15.5	2.0	0.405	24
SS316LFIA10015	108 × 1/2" BSP	153	75	15.5	2.0	0.810	10

*This item requires special ordering. Please consult with a salesperson for the estimated lead time.

STAINLESS STEEL 316L PRESS FIT FITTINGS (M PROFILE)

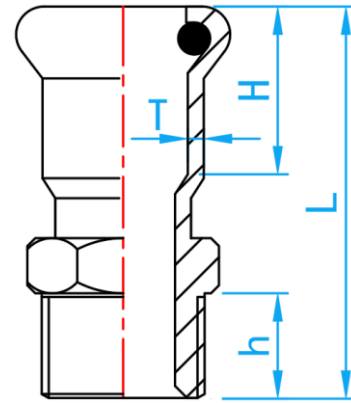
COMPLY WITH BSEN1254-2: 1998

MI SOCKET



The Complete Press-Fit Solution by Norika

A Product of the nPressGuard® Solution



CROSS SECTIONAL VIEW

STANDARD SPECIFICATION

Working Pressure	16 Bar
Working Temperature	0 ~ 85°C
Applications	Hot and cold potable water system.

DIMENSIONS

SKU	SIZE (mm x inch)	L (mm)	H (mm)	h (mm)	T (mm)	WEIGHT (kg)	PCS/CTN
SS316LMIA01515	15 × 1/2" BSPT	51.0	20	15	1.5	0.044	420
SS316LMIA02015	22 × 1/2" BSPT	53.0	20	15	1.5	0.060	170
SS316LMIA02020	22 × 3/4" BSPT	55.0	21	16	1.5	0.065	200
SS316LMIA02025*	22 × 1" BSPT	70.0	24	16	1.5	0.105	130
SS316LMIA02515*	28 × 1/2" BSPT	66.5	24	14	1.5	0.075	130
SS316LMIA02520*	28 × 3/4" BSPT	58.0	24	16	1.5	0.082	130
SS316LMIA02525	28 × 1" BSPT	62.0	33	19	1.5	0.105	130
SS316LMIA03515*	35 × 1/2" BSPT	76.0	26	15	1.5	0.095	80
SS316LMIA03520*	35 × 3/4" BSPT	75.0	26	15	1.5	0.100	80
SS316LMIA03525	35 × 1" BSPT	67.0	26	21	1.5	0.120	80
SS316LMIA03535	35 × 1 1/4" BSPT	70.0	26	21	1.5	0.160	80
SS316LMIA03542*	35 × 1 1/2" BSPT	82.0	28	22	1.5	0.165	66
SS316LMIA03550*	35 × 2" BSPT	92.0	26	26	1.5	0.300	38
SS316LMIA04215*	42 × 1/2" BSPT	81.0	31	14	1.5	0.120	50
SS316LMIA04220*	42 × 3/4" BSPT	82.0	31	16	1.5	0.132	50
SS316LMIA04225*	42 × 1" BSPT	84.0	24	22	1.5	0.150	50
SS316LMIA04235*	42 × 1 1/4" BSPT	75.0	31	21	1.5	0.180	50
SS316LMIA04242	42 × 1 1/2" BSPT	75.0	31	21	1.5	0.195	66
SS316LMIA04250*	42 × 2" BSPT	96.0	31	21	1.5	0.320	50
SS316LMIA05020*	54 × 3/4" BSPT	94.0	35	16	1.5	0.178	60
SS316LMIA05025*	54 × 1" BSPT	95.0	35	19	1.5	0.198	50
SS316LMIA05035*	54 × 1 1/4" BSPT	96.0	35	20	1.5	0.232	38
SS316LMIA05042*	54 × 1 1/2" BSPT	95.0	35	21	1.5	0.246	38
SS316LMIA05050	54 × 2" BSPT	88.0	36	26	1.5	0.320	38
SS316LMIA06565	67 × 2 1/2" BSPT	110.0	50	30	1.8	0.735	15
SS316LMIA08065	76 × 2 1/2" BSPT	115.0	55	30	2.0	0.626	24
SS316LMIA08080	76 × 3" BSPT	117.0	55	32	2.0	0.825	24
SS316LMIA100100	108 × 4" BSPT	148.0	80	35	2.0	1.243	10

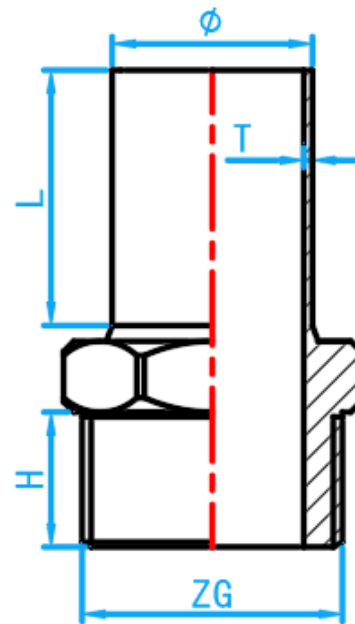
*This item requires special ordering. Please consult with a salesperson for the estimated lead time.

STAINLESS STEEL 316L PRESS FIT FITTINGS (M PROFILE)

COMPLY WITH BSEN1254-2: 1998

[MI] PIPE


A Product of the nPressGuard® Solution



CROSS SECTIONAL VIEW

STANDARD SPECIFICATION

Working Pressure	16 Bar
Working Temperature	0 ~ 85°C
Applications	Hot and cold potable water system.

DIMENSIONS

SKU	SIZE (mm)	ZG (inch)	Ø (mm)	T (mm)	L (mm)	H (mm)	WEIGHT (kg)	PCS/CTN
SS316L PPFNMIP01515	15	1/2" BSPT	15	1.5	35	15	0.050	500
SS316L PPFNMIP02020	22	3/4" BSPT	22	1.5	36	16	0.070	200
SS316L PPFNMIP02525	28	1" BSPT	28	1.5	38	19	0.140	150
SS316L PPFNMIP03535	35	1 1/4" BSPT	35	1.5	40	21	0.150	50
SS316L PPFNMIP04242	42	1 1/2" BSPT	42	1.5	45	21	0.190	50
SS316L PPFNMIP05050	54	2" BSPT	54	1.5	50	26	0.335	60

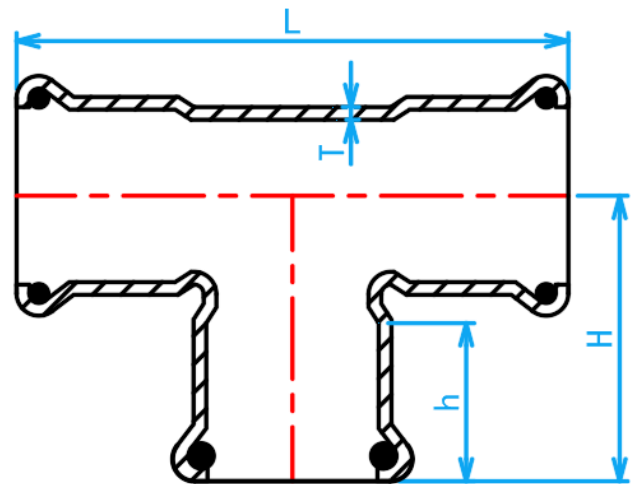
STAINLESS STEEL 316L PRESS FIT FITTINGS (M PROFILE)

COMPLY WITH BSEN1254-2: 1998

EQUAL TEE



A Product of the nPressGuard® Solution



CROSS SECTIONAL VIEW

STANDARD SPECIFICATION

Working Pressure	16 Bar
Working Temperature	0 ~ 85°C
Applications	Hot and cold potable water system.

DIMENSIONS

SKU	SIZE (mm)	L (mm)	H (mm)	h (mm)	T (mm)	WEIGHT (kg)	PCS/CTN
SS316L PFNET015	15	70	36	20	1.5	0.065	240
SS316L PFNET020	22	78	40	21	1.5	0.100	120
SS316L PFNET025	28	87	45	23	1.5	0.132	70
SS316L PFNET035	35	100	53	26	1.5	0.185	50
SS316L PFNET042	42	120	61	31	1.5	0.275	52
SS316L PFNET050	54	142	73	36	1.5	0.350	28
SS316L PFNET065	67	202	98	50	1.8	0.955	12
SS316L PFNET080	76	230	110	51	2.0	1.200	8
SS316L PFNET100	108	305	160	75	2.0	2.320	3

STAINLESS STEEL 316L

PRESS FIT FITTINGS

(M PROFILE)

COMPLY WITH BSEN1254-2: 1998

REDUCING TEE



A Product of the nPressGuard® Solution

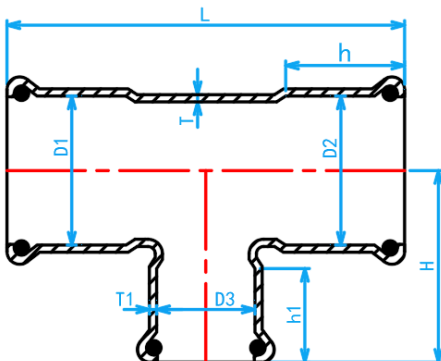
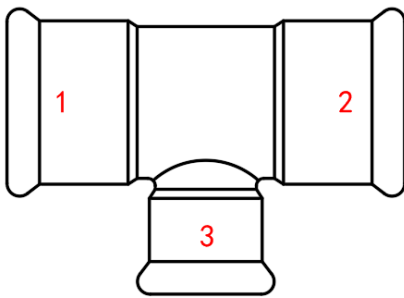


STANDARD SPECIFICATION

Working Pressure	16 Bar
Working Temperature	0 ~ 85°C
Applications	Hot and cold potable water system.

DIMENSIONS

SKU	D1×D2×D3 (mm)	L (mm)	H (mm)	h (mm)	h1 (mm)	T (mm)	T1 (mm)	WEIGHT (kg)	PCS/CT N
SS316LPFNRT0202015	22×22×15	76	38	21	20	1.5	1.5	0.090	120
SS316LPFNRT0252515	28×28×15	87	42	23	20	1.5	1.5	0.118	60
SS316LPFNRT0252520	28×28×22	87	45	23	21	1.5	1.5	0.134	60
SS316LPFNRT0353515	35×35×15	100	46	26	20	1.5	1.5	0.155	80
SS316LPFNRT0353520	35×35×22	100	46	26	21	1.5	1.5	0.160	80
SS316LPFNRT0353525	35×35×28	100	48	26	23	1.5	1.5	0.170	50
SS316LPFNRT0424215	42×42×15	118	52	31	20	1.5	1.5	0.220	51
SS316LPFNRT0424220	42×42×22	118	52	31	21	1.5	1.5	0.230	70
SS316LPFNRT0424225	42×42×28	118	53	31	23	1.5	1.5	0.230	60
SS316LPFNRT0424235	42×42×35	118	56	31	26	1.5	1.5	0.240	50
SS316LPFNRT0505015	54×54×15	142	55	36	20	1.5	1.5	0.300	38
SS316LPFNRT0505020	54×54×22	142	57	36	21	1.5	1.5	0.320	32
SS316LPFNRT0505025	54×54×28	142	56	36	23	1.5	1.5	0.300	32
SS316LPFNRT0505035	54×54×35	142	62	36	26	1.5	1.5	0.342	32
SS316LPFNRT0505042	54×54×42	142	67	36	31	1.5	1.5	0.360	32
SS316LPFNRT0656515	67×67×15	202	65	50	20	1.8	1.5	0.700	15
SS316LPFNRT0656520	67×67×22	202	66	50	21	1.8	1.5	0.700	15
SS316LPFNRT0656525	67×67×28	202	68	50	23	1.8	1.5	0.720	15
SS316LPFNRT0656535	67×67×35	202	72	50	26	1.8	1.5	0.730	15
SS316LPFNRT0656542	67×67×42	202	76	50	31	1.8	1.5	0.750	15
SS316LPFNRT0656550	67×67×54	202	83	50	36	1.8	1.5	0.850	12
SS316LPFNRT0808015	76×76×15	230	69	51	20	2.0	1.5	0.860	12
SS316LPFNRT0808020	76×76×22	230	69	51	21	2.0	1.5	0.870	12
SS316LPFNRT0808025	76×76×28	230	71	51	23	2.0	1.5	0.870	12
SS316LPFNRT0808035	76×76×35	230	77	51	26	2.0	1.5	0.970	12
SS316LPFNRT0808042	76×76×42	230	81	51	31	2.0	1.5	0.960	11
SS316LPFNRT0808050	76×76×54	230	87	51	36	2.0	1.5	1.030	10
SS316LPFNRT0808065	76×76×67	230	105	51	50	2.0	1.8	1.130	10
SS316LPFNRT10010020	108×108×22	310	85	75	21	2.0	1.5	1.830	4
SS316LPFNRT10010025	108×108×28	310	87	75	23	2.0	1.5	1.840	4
SS316LPFNRT10010035	108×108×35	310	91	75	26	2.0	1.5	1.850	4
SS316LPFNRT10010042	108×108×42	310	97	75	31	2.0	1.5	1.860	4
SS316LPFNRT10010050	108×108×54	310	102	75	36	2.0	1.5	1.870	3
SS316LPFNRT10010065	108×108×67	310	120	75	50	2.0	1.8	1.990	3
SS316LPFNRT10010080	108×108×76	310	125	75	51	2.0	2.0	2.070	3



CROSS SECTIONAL VIEW

STAINLESS STEEL 316L

PRESS FIT FITTINGS

(M PROFILE)

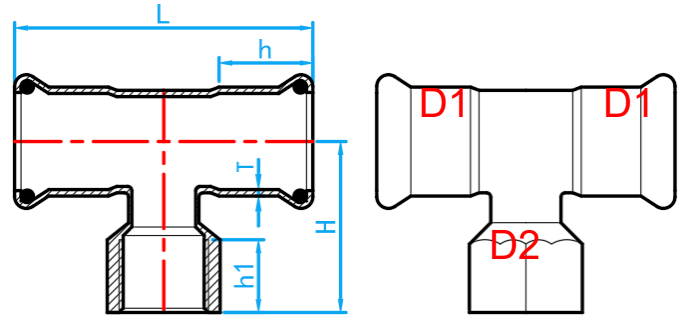


A Product of the nPressGuard® Solution



COMPLY WITH BSEN1254-2: 1998

FI TEE



CROSS SECTIONAL VIEW

STANDARD SPECIFICATION

Working Pressure	16 Bar
Working Temperature	0 ~ 85°C
Applications	Hot and cold potable water system.

DIMENSIONS

SKU	SIZE D1xD1xD2 (mm x mm x inch)	L (mm)	H (mm)	h (mm)	h1 (mm)	T (mm)	WEIGHT (kg)	PCS/CTN
SS316LPFNFIT01515	15 × 15 × 1/2" BSP	70	36	20	15.5	1.5	0.072	150
SS316LPFNFIT02015	22 × 22 × 1/2" BSP	76	37	21	15.5	1.5	0.104	140
SS316LPFNFIT02020	22 × 22 × 3/4" BSP	76	39	21	16.0	1.5	0.140	120
SS316LPFNFIT02515	28 × 28 × 1/2" BSP	87	39	23	15.5	1.5	0.134	80
SS316LPFNFIT02520	28 × 28 × 3/4" BSP	87	40	23	16.0	1.5	0.150	60
SS316LPFNFIT02525	28 × 28 × 1" BSP	87	45	23	20.0	1.5	0.210	60
SS316LPFNFIT03506*	35 × 35 × 1/4" BSP	100	42	26	15.5	1.5	0.180	60
SS316LPFNFIT03515	35 × 35 × 1/2" BSP	100	42	26	15.5	1.5	0.185	60
SS316LPFNFIT03520	35 × 35 × 3/4" BSP	100	54	26	16.0	1.5	0.191	60
SS316LPFNFIT03525	35 × 35 × 1" BSP	100	48	26	20.0	1.5	0.170	60
SS316LPFNFIT03535	35 × 35 × 1 1/4" BSP	100	52	26	21.0	1.5	0.230	40
SS316LPFNFIT04215	42 × 42 × 1/2" BSP	118	47	31	15.5	1.5	0.235	60
SS316LPFNFIT04220	42 × 42 × 3/4" BSP	118	47	31	16.0	1.5	0.240	50
SS316LPFNFIT04225	42 × 42 × 1" BSP	118	53	31	20.0	1.5	0.265	50
SS316LPFNFIT04235	42 × 42 × 1 1/4" BSP	118	57	31	21.0	1.5	0.300	50
SS316LPFNFIT04242	42 × 42 × 1 1/2" BSP	118	61	31	25.0	1.5	0.310	40
SS316LPFNFIT05015	54 × 54 × 1/2" BSP	142	55	36	15.5	1.5	0.330	40
SS316LPFNFIT05020	54 × 54 × 3/4" BSP	142	54	36	16.0	1.5	0.357	34
SS316LPFNFIT05025	54 × 54 × 1" BSP	142	59	36	20.0	1.5	0.357	32
SS316LPFNFIT05035	54 × 54 × 1 1/4" BSP	142	62	36	21.0	1.5	0.350	30
SS316LPFNFIT05042	54 × 54 × 1 1/2" BSP	142	64	36	21.0	1.5	0.410	30
SS316LPFNFIT05050	54 × 54 × 2" BSP	142	70	36	25.0	1.5	0.480	32
SS316LPFNFIT06515	67 × 67 × 1/2" BSP	202	61	50	15.5	1.8	0.700	18
SS316LPFNFIT06520	67 × 67 × 3/4" BSP	202	61	50	16.0	1.8	0.710	15
SS316LPFNFIT06525*	67 × 67 × 1" BSP	202	66	50	20.0	1.8	0.720	15
SS316LPFNFIT06535*	67 × 67 × 1 1/4" BSP	202	70	50	21.0	1.8	0.765	15
SS316LPFNFIT06542*	67 × 67 × 1 1/2" BSP	202	72	50	25.0	1.8	0.800	15
SS316LPFNFIT06550*	67 × 67 × 2" BSP	202	78	50	25.0	1.8	0.820	15
SS316LPFNFIT08015	76 × 76 × 1/2" BSP	230	66	51	15.5	2.0	0.955	12
SS316LPFNFIT08020*	76 × 76 × 3/4" BSP	230	66	51	16.0	2.0	0.970	12
SS316LPFNFIT08025*	76 × 76 × 1" BSP	230	73	51	20.0	2.0	0.990	12
SS316LPFNFIT10025	108 × 108 × 1" BSP	310	87	75	20.0	2.0	1.900	4
SS316LPFNFIT10050*	108 × 108 × 2" BSP	310	100	75	25.0	2.0	2.050	3

*This item requires special ordering. Please consult with a salesperson for the estimated lead time.

STAINLESS STEEL 316L

PRESS FIT FITTINGS

(M PROFILE)

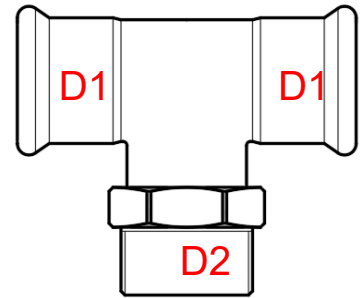
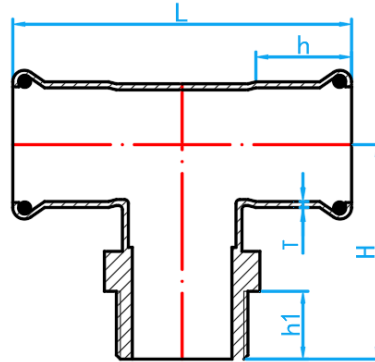
COMPLY WITH BSEN1254-2: 1998

MI TEE



The Complete Press-Fit Solution by Norika

A Product of the nPressGuard® Solution



CROSS SECTIONAL VIEW

STANDARD SPECIFICATION

Working Pressure	16 Bar
Working Temperature	0 ~ 85°C
Applications	Hot and cold potable water system.

DIMENSIONS

SKU	SIZE D1xD1xD2 (mm x mm x inch)	L (mm)	H (mm)	h (mm)	h1 (mm)	T (mm)	WEIGHT (kg)	PCS/CTN
SS316LPFNMIT01515	15×15×1/2" BSPT	70	36	20	15	1.5	0.070	200
SS316LPFNMIT02015	22×22×1/2" BSPT	76	38	21	15	1.5	0.090	140
SS316LPFNMIT02020	22×22×3/4" BSPT	76	43	21	16	1.5	0.110	100
SS316LPFNMIT02515	28×28×1/2" BSPT	87	40	23	15	1.5	0.125	80
SS316LPFNMIT02520	28×28×3/4" BSPT	87	45	23	16	1.5	0.140	80
SS316LPFNMIT02525	28×28×1" BSPT	87	48	23	18	1.5	0.160	70
SS316LPFNMIT03515	35×35×1/2" BSPT	100	46	26	15	1.5	0.167	50
SS316LPFNMIT03520	35×35×3/4" BSPT	100	48	26	16	1.5	0.175	50
SS316LPFNMIT03525	35×35×1" BSPT	100	53	26	18	1.5	0.200	50
SS316LPFNMIT03535	35×35×1 1/4" BSPT	100	58	26	20	1.5	0.250	50
SS316LPFNMIT04215	42×42×1/2" BSPT	118	50	31	15	1.5	0.220	48
SS316LPFNMIT04220	42×42×3/4" BSPT	118	52	31	16	1.5	0.240	48
SS316LPFNMIT04225	42×42×1" BSPT	118	54	31	18	1.5	0.260	45
SS316LPFNMIT04235	42×42×1 1/4" BSPT	118	60	31	20	1.5	0.300	42
SS316LPFNMIT04242	42×42×1 1/2" BSPT	118	62	31	20	1.5	0.313	35
SS316LPFNMIT05015	54×54×1/2" BSPT	142	59	36	15	1.5	0.320	44
SS316LPFNMIT05020	54×54×3/4" BSPT	142	63	36	16	1.5	0.340	40
SS316LPFNMIT05025	54×54×1" BSPT	142	66	36	18	1.5	0.360	32
SS316LPFNMIT05035	54×54×1 1/4" BSPT	142	67	36	20	1.5	0.401	35
SS316LPFNMIT05042	54×54×1 1/2" BSPT	142	68	36	20	1.5	0.420	30
SS316LPFNMIT05050	54×54×2" BSPT	142	76	36	23	1.5	0.485	28
SS316LPFNMIT06525	67×67×1" BSPT	202	71	52	18	1.8	0.745	10
SS316LPFNMIT06550	67×67×2" BSPT	202	82	55	25	1.8	0.925	10
SS316LPFNMIT06565	67×67×2 1/2" BSPT	202	84	55	28	1.8	1.005	10
SS316LPFNMIT08050*	76×76×2" BSPT	230	88	55	27	2.0	1.130	10
SS316LPFNMIT10050*	108×108×2" BSPT	310	105	80	27	2.0	2.040	3
SS316LPFNMIT10080*	108×108×3" BSPT	310	110	80	30	2.0	2.410	3

*This item requires special ordering. Please consult with a salesperson for the estimated lead time.

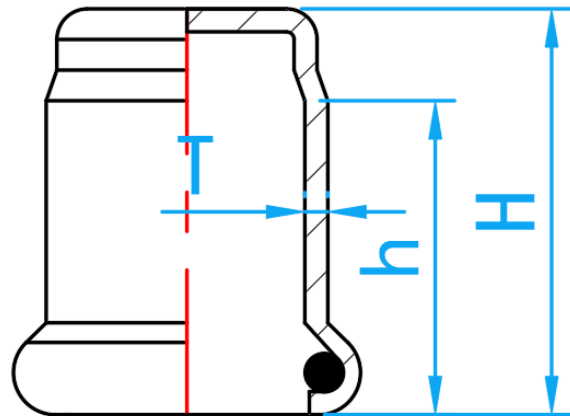
STAINLESS STEEL 316L PRESS FIT FITTINGS (M PROFILE)

COMPLY WITH BSEN1254-2: 1998

END CAP



A Product of the nPressGuard® Solution



CROSS SECTIONAL VIEW

STANDARD SPECIFICATION

Working Pressure	16 Bar
Working Temperature	0 ~ 85°C
Applications	Hot and cold potable water system.

DIMENSIONS

SKU	SIZE (mm)	H (mm)	h (mm)	T (mm)	WEIGHT (kg)	PCS/CTN
SS316LPFNEC015	15	35	20	1.5	0.024	500
SS316LPFNEC020	22	35	21	1.5	0.041	300
SS316LPFNEC025	28	38	23	1.5	0.059	200
SS316LPFNEC035	35	41	26	1.5	0.077	180
SS316LPFNEC042	42	48	31	1.5	0.106	120
SS316LPFNEC050	54	52	36	1.5	0.153	84
SS316LPFNEC065	67	72	50	1.8	0.280	65
SS316LPFNEC080	76	83	51	2.0	0.410	36
SS316LPFNEC100	108	107	75	2.0	0.715	12

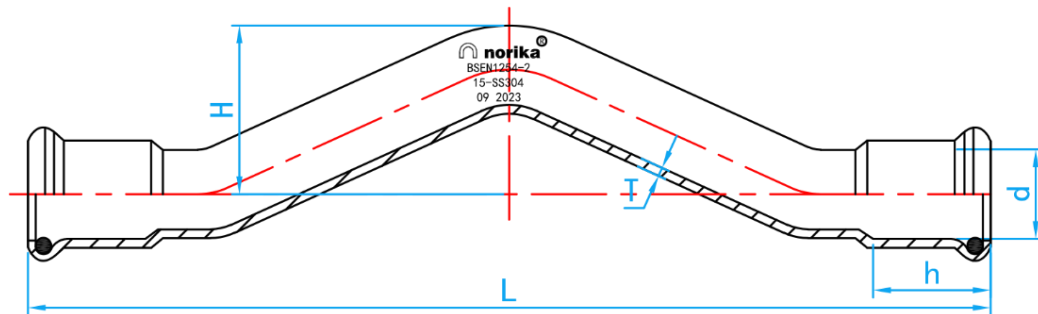
**STAINLESS STEEL 316L
PRESS FIT FITTINGS
(M PROFILE)**

COMPLY WITH BSEN1254-2: 1998

CROSS OVER



A Product of the nPressGuard[®] Solution



CROSS SECTIONAL VIEW

STANDARD SPECIFICATION

Working Pressure	16 Bar
Working Temperature	0 ~ 85°C
Applications	Hot and cold potable water system.

DIMENSIONS

SKU	DN mm	d (mm)	L (mm)	H (mm)	h (mm)	T (mm)	WEIGHT (kg)	PCS/CTN
SS316LPFNCO015	15	15	168	32.5	20	1.5	0.110	250
SS316LPFNCO020	22	22	168	40.5	21	1.5	0.142	150
SS316LPFNCO025	28	28	196	47.5	23	1.5	0.220	100

STAINLESS STEEL 316L PRESS FIT FITTINGS (M PROFILE)

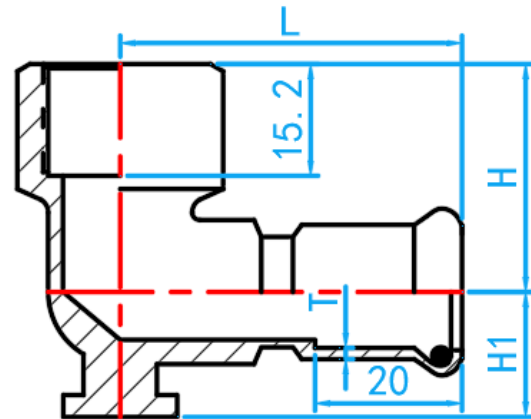
COMPLY WITH BSEN1254-2: 1998



A Product of the nPressGuard® Solution



WALL PLATE ELBOW



CROSS SECTIONAL VIEW

STANDARD SPECIFICATION

Working Pressure	16 Bar
Working Temperature	0 ~ 85°C
Applications	Hot and cold potable water system.

DIMENSIONS

SKU	SIZE (mm x inch)	L (mm)	H (mm)	H1 (mm)	T (mm)	WEIGHT (kg)	PCS/CTN
SS316LPFNFE015	15 × 1/2" BSP	48	26	15	1.5	0.089	150

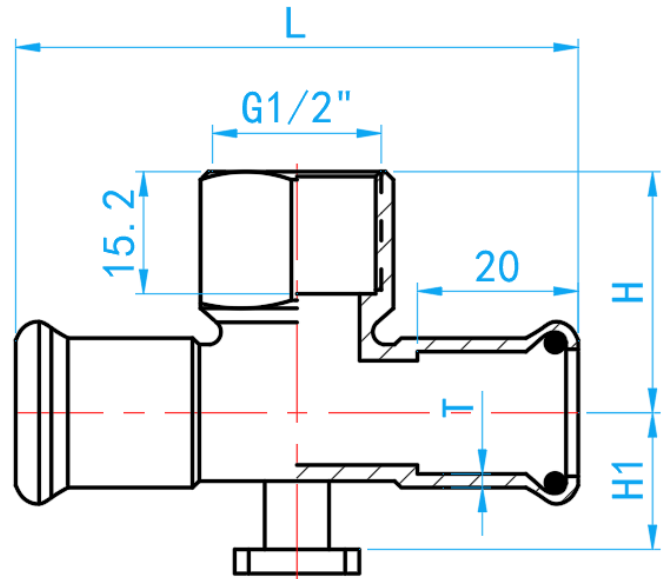
**STAINLESS STEEL 316L
PRESS FIT FITTINGS
(M PROFILE)**

COMPLY WITH BSEN1254-2: 1998

WALL PLATE FI TEE



A Product of the nPressGuard[®] Solution



CROSS SECTIONAL VIEW

STANDARD SPECIFICATION

Working Pressure	16 Bar
Working Temperature	0 ~ 85°C
Applications	Hot and cold potable water system.

DIMENSIONS

SKU	SIZE (mm x mm x inch)	L (mm)	H (mm)	H1 (mm)	T (mm)	WEIGHT (kg)	PCS/CTN
SS316LPFNFT015	15 × 15 × 1/2" BSP	70	32	20	1.5	0.093	140

**STAINLESS STEEL 316L
PRESS FIT FITTINGS
(M PROFILE)**

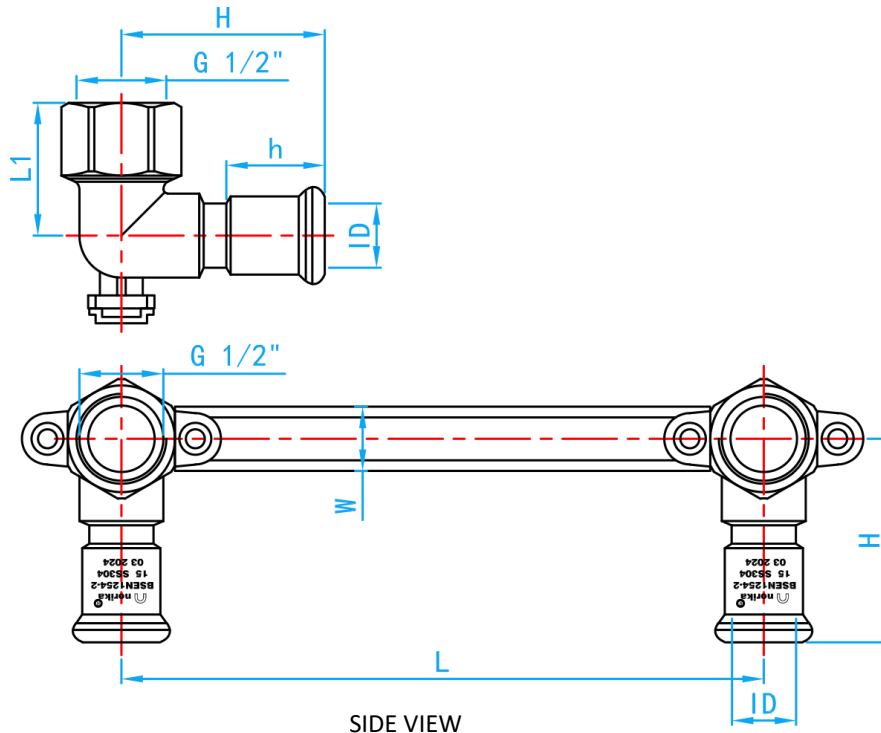
COMPLY WITH BSEN1254-2: 1998



A Product of the nPressGuard[®] Solution



DOUBLE ELBOW WALL MOUNTED PLATE



STANDARD SPECIFICATION

Working Pressure	16 Bar
Working Temperature	0 ~ 85°C
Applications	Hot and cold potable water system.

DIMENSIONS

SKU	SIZE ID × G (mm x inch)	L (mm)	L1 (mm)	H (mm)	h (mm)	W (mm)	WEIGHT (kg)	PCS/CTN
SS316LPFNFE015S*	15 × 1/2" BSP	150	31	47.5	23	15	0.200	40

*This item requires special ordering. Please consult with a salesperson for the estimated lead time.

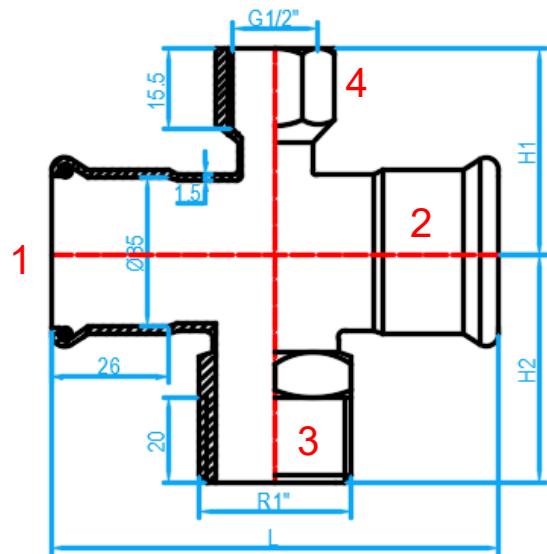
STAINLESS STEEL 316L PRESS FIT FITTINGS (M PROFILE)

COMPLY WITH BSEN1254-2: 1998

REDUCING CROSS TEE MXF



A Product of the nPressGuard® Solution



CROSS SECTIONAL VIEW

STANDARD SPECIFICATION

Working Pressure	16 Bar
Working Temperature	0 ~ 85°C
Applications	Hot and cold potable water system.

DIMENSIONS

STOCK CODE	SIZE (mm x mm x inch x inch)	L (mm)	H1 (mm)	H2 (mm)	WEIGHT (kg)	PCS/CTN
SS316LPFNCT3525M15F*	35X35X1"BSPTX1/2" BSP	100	43	54	0.241	30

*This item requires special ordering. Please consult with a salesperson for the estimated lead time.

STAINLESS STEEL 316L PRESS FIT FITTINGS (M PROFILE)

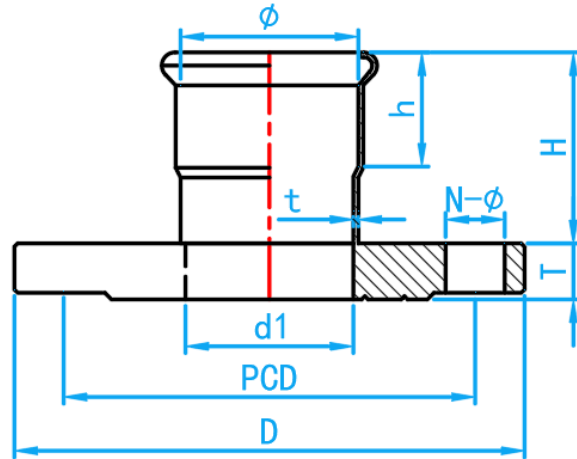
COMPLY WITH BSEN1254-2: 1998



A Product of the nPressGuard® Solution



PRESSFIT FLANGE SOCKET



CROSS SECTIONAL VIEW

STANDARD SPECIFICATION

Working Pressure	16 Bar
Working Temperature	0 ~ 85°C
Applications	Hot and cold potable water system.

DIMENSIONS

STOCK CODE	Ø (mm)	D (mm)	PCD (mm)	d1 (mm)	NO.S OF HOLS	d (mm)	T (mm)	H (mm)	h (mm)	t (mm)	WEIGHT (kg)
SS316LPFNFLS01515*	15	95	65	12	4	14	14	31	20	1.5	0.640
SS316LPFNFLS02020*	22	105	75	18	4	14	16	35	21	1.5	0.940
SS316LPFNFLS02525	28	115	85	25	4	14	16	40	23	1.5	1.140
SS316LPFNFLS03535	35	130	100	32	4	18	18	45	26	1.5	1.840
SS316LPFNFLS04242	42	140	110	39	4	18	18	54	31	1.5	2.150
SS316LPFNFLS05050	54	155	125	51	4	18	19	67	36	1.5	2.720
SS316LPFNFLS06565	67	175	145	72	4	18	18	67	50	1.8	3.640
SS316LPFNFLS08080	76	190	160	85	8	18	20	73	51	2.0	4.140
SS316LPFNFLS100100	108	210	180	104	8	18	22	86	75	2.0	4.710

*This item requires special ordering. Please consult with a salesperson for the estimated lead time.

STAINLESS STEEL 316L

PRESS FIT FITTINGS

(M PROFILE)

COMPLY WITH BSEN1254-2: 1998

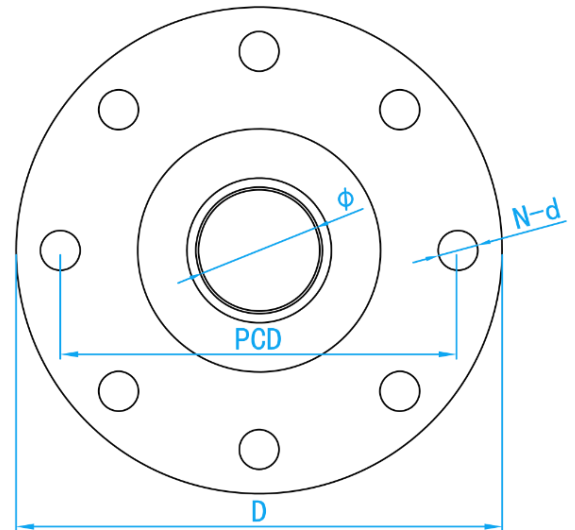


The Complete Press-Fit Solution by Norika

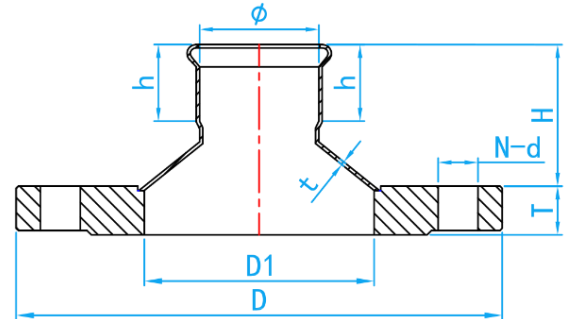
A Product of the nPressGuard® Solution



PRESSFIT FLANGE REDUCE SOCKET



TOP VIEW



CROSS SECTIONAL VIEW

STANDARD SPECIFICATION

Working Pressure	16 Bar
Working Temperature	0 ~ 85°C
Applications	Hot and cold potable water system.

DIMENSIONS

SKU	ϕ (mm)	D (mm)	PCD (mm)	D1 (mm)	NO.S OF HOLS	d (mm)	T (mm)	H (mm)	h (mm)	t (mm)	WEIGHT (kg)
SS316LPFNFLS06550	54	185	145	63	4	18	20	53	36	1.8	3.19
SS316LPFNFLS08050	54	200	160	85	8	18	20	59	36	1.5	3.92
SS316LPFNFLS08065	67	200	160	85	8	18	20	71	50	1.8	4.02
SS316LPFNFLS100050	54	220	180	104	8	18	20	67	36	1.5	4.31
SS316LPFNFLS100065	67	220	180	104	8	18	20	85	50	1.8	4.42
SS316LPFNFLS100080	76	220	180	104	8	18	20	85	53	2.0	4.46
SS316LPFNFLS150065	67	285	240	154	8	22	24	116	50	1.8	8.20
SS316LPFNFLS150080	76	285	240	154	8	22	24	121	53	2.0	8.23
SS316LPFNFLS150100	108	285	240	154	8	22	24	140	75	2.0	8.48

STAINLESS STEEL 316L PRESS FIT FITTINGS (M PROFILE)

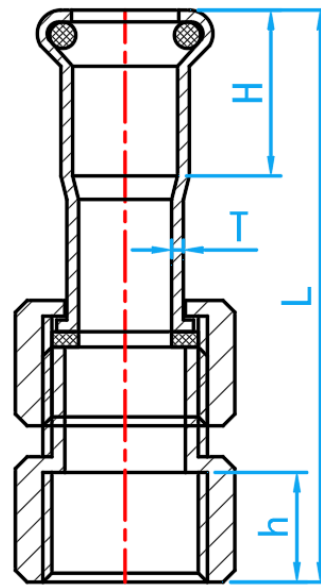
COMPLY WITH BSEN1254-2: 1998



A Product of the nPressGuard® Solution



FEMALE JOINT CONNECTOR



CROSS SECTIONAL VIEW

STANDARD SPECIFICATION

Working Pressure	16 Bar
Working Temperature	0 ~ 85°C
Applications	Hot and cold potable water system.

DIMENSIONS

SKU	SIZE (mm x inch)	L (mm)	H (mm)	h (mm)	T (mm)	WEIGHT (kg)	PCS/CTN
SS316L PFNFJCO1515	15 × 1/2" BSP	71	20	15	1.5	0.110	180
SS316L PFNFJCO2020	22 × 3/4" BSP	75	21	17	1.5	0.152	150
SS316L PFNFJCO2525	28 × 1" BSP	83	23	19	1.5	0.215	70
SS316L PFNFJCO3535	35 × 1 1/4" BSP	91	26	21	1.5	0.326	70
SS316L PFNFJCO4242	42 × 1 1/2" BSP	111	31	22	1.5	0.381	50
SS316L PFNFJCO5050	54 × 2" BSP	116	36	27	1.5	0.634	24

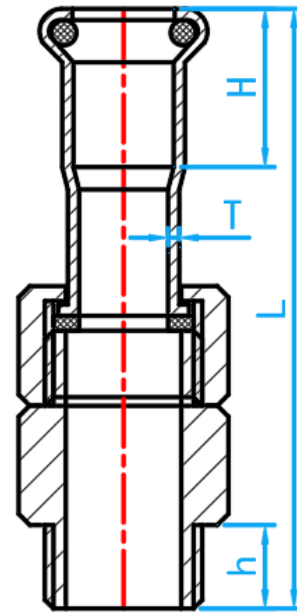
STAINLESS STEEL 316L PRESS FIT FITTINGS (M PROFILE)

COMPLY WITH BSEN1254-2: 1998

MALE JOINT CONNECTOR



A Product of the nPressGuard® Solution



CROSS SECTIONAL VIEW

STANDARD SPECIFICATION

Working Pressure	16 Bar
Working Temperature	0 ~ 85°C
Applications	Hot and cold potable water system.

DIMENSIONS

SKU	SIZE (mm x inch)	L (mm)	H (mm)	h (mm)	T (mm)	WEIGHT (kg)	PCS/CTN
SS316LPFNMJC01515	15 × 1/2" BSPT	88	20	15	1.5	0.110	180
SS316LPFNMJC02020	22 × 3/4" BSPT	87	21	17	1.5	0.157	150
SS316LPFNMJC02525	28 × 1" BSPT	96	23	19	1.5	0.225	70
SS316LPFNMJC03525	35 × 1" BSPT	96	26	19	1.5	0.230	60
SS316LPFNMJC03535	35 × 1 1/4" BSPT	100	26	21	1.5	0.302	60
SS316LPFNMJC04225	42 × 1" BSPT	115	31	19	1.5	0.275	34
SS316LPFNMJC04242	42 × 1 1/2" BSPT	107	31	22	1.5	0.430	34
SS316LPFNMJC05025	54 × 1" BSPT	125	36	19	1.5	0.315	24
SS316LPFNMJC05050	54 × 2" BSPT	130	36	27	1.5	0.620	24
SS316LPFNMJC06565	67 × 2 1/2" BSPT	165	50	30	1.8	0.670	10
SS316LPFNMJC08080*	76 × 3" BSPT	180	51	33	2.0	1.440	5
SS316LPFNMJC100100*	108 × 4" BSPT	250	75	38	2.0	2.760	6

*This item requires special ordering. Please consult with a salesperson for the estimated lead time.

STAINLESS STEEL 316L PRESS FIT FITTINGS

COMPLY WITH BSEN1254-2: 1998

FLANGE SOCKET

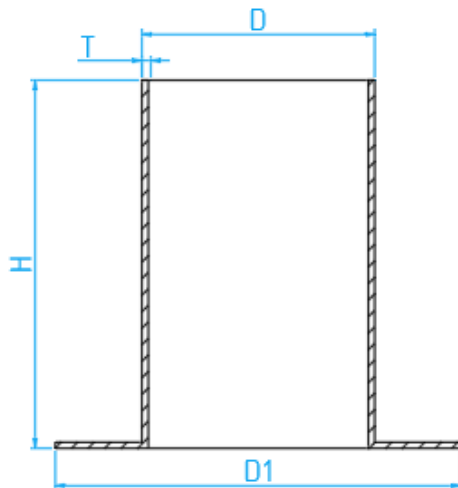


A Product of the nPressGuard® Solution

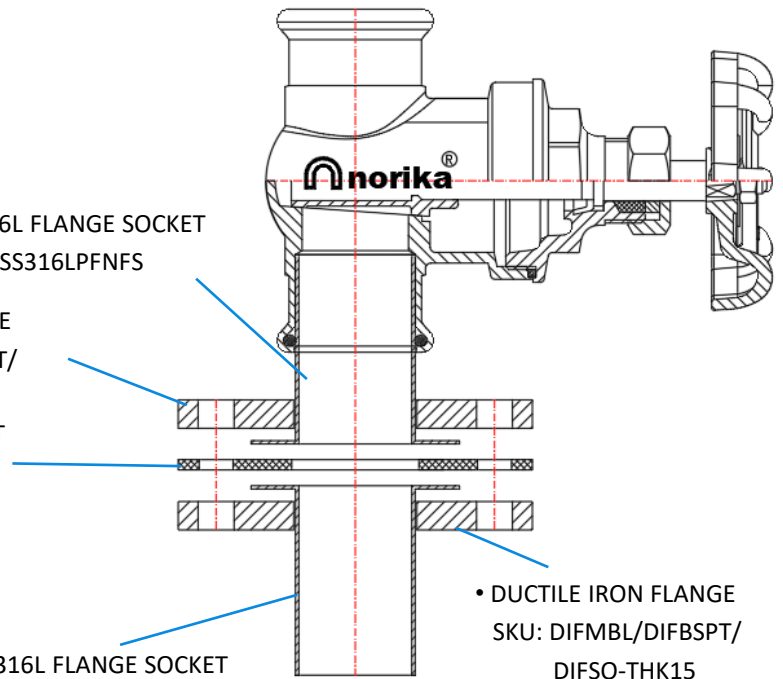


- SS316L FLANGE SOCKET
SKU:SS316LPFNFS

- DUCTILE IRON FLANGE
SKU: DIFMBL/DIFBSPT/
DIFSO-THK15
- EPDM RUBBER GASKET
SKU: RFGN-PUB



CROSS SECTIONAL VIEW



- SS316L FLANGE SOCKET
SKU:SS316LPFNFS

- DUCTILE IRON FLANGE
SKU: DIFMBL/DIFBSPT/
DIFSO-THK15

INSTALLATION ASSEMBLY

STANDARD SPECIFICATION

Working Pressure	16 Bar
Working Temperature	0 ~ 85°C
Applications	Hot and cold potable water system.

DIMENSIONS

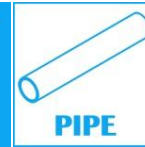
SKU	DN (mm)	D (mm)	D1 (mm)	H (mm)	T (mm)	WEIGHT (kg)	PCS/CTN
SS316LPFNFP042	42	42.07	97	90	1.5	0.265	30
SS316LPFNFP050	54	54.07	107	100	1.5	0.352	45
SS316LPFNFP065	67	66.75	127	140	1.8	0.635	19
SS316LPFNFP080	76	76.30	142	150	2.0	0.780	14
SS316LPFNFP100	108	108.25	160	190	2.0	1.180	8

**STAINLESS STEEL 316L
PRESSFIT SINGLE SIDED
MANIFOLDS**

COMPLY WITH BSEN1254-2: 1998



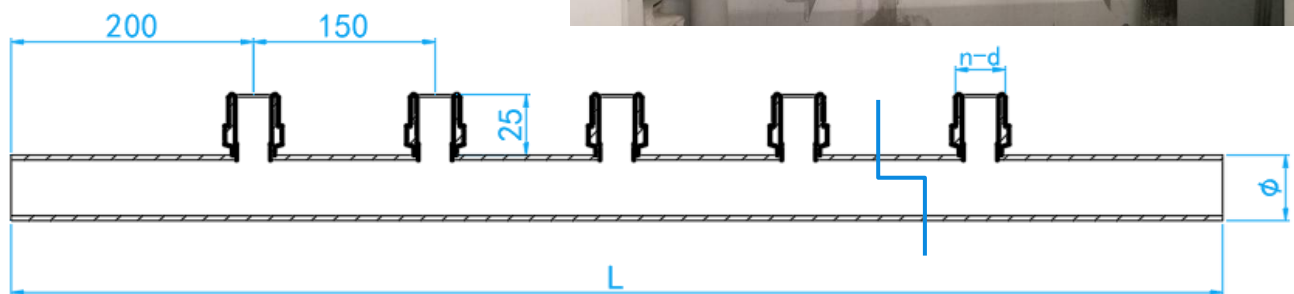
A Product of the nPressGuard[®] Solution



ACTUAL APPLICATION



* Size could be customized.



CROSS SECTIONAL VIEW

STANDARD SPECIFICATION

Working Pressure	16 Bar
Working Temperature	0 ~ 85°C
Applications	Hot and cold potable water system.

DIMENSIONS

SKU	∅ × Thickness (mm)	n-d	L (mm)	WEIGHT (kg)
SS316LNM05015MX03*	54 × 1.5	3NOS -G1/2" MI	700	1.395
SS316LNM05015MX04*	54 × 1.5	4NOS -G1/2" MI	850	1.715
SS316LNM05015MX05*	54 × 1.5	5NOS -G1/2" MI	1000	2.050

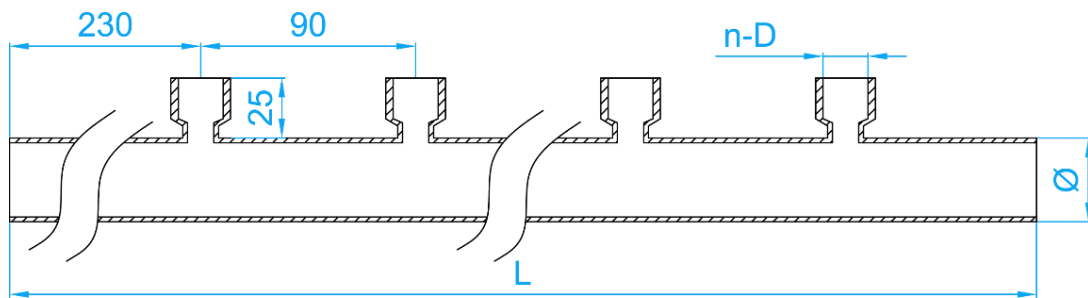
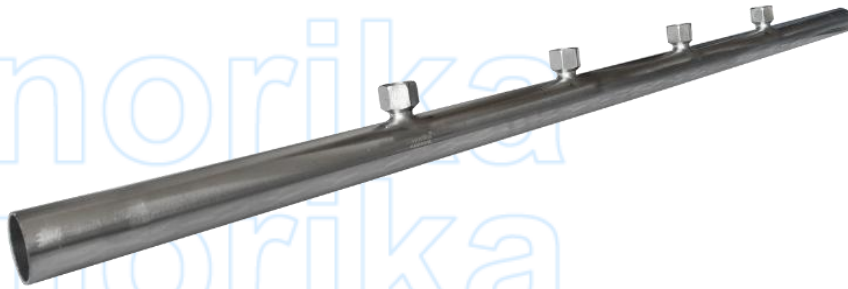
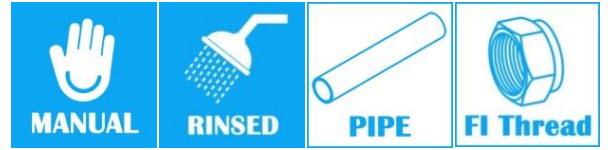
*This item requires special ordering. Please consult with a salesperson for the estimated lead time.

**STAINLESS STEEL 316L
PRESSFIT SINGLE SIDED
MANIFOLDS**



A Product of the nPressGuard[®] Solution

COMPLY WITH BSEN1254-2: 1998



CROSS SECTIONAL VIEW

STANDARD SPECIFICATION

Working Pressure	16 Bar
Working Temperature	0 ~ 85°C
Applications	Hot and cold potable water system.

* Size could be customized.

DIMENSIONS

SKU	Ø × Thickness (mm)	n-D	L (mm)	WEIGHT (kg)
SS316LNM03515FX04*	35 × 1.5	4NOS –G1/2" FI	1000	1.450

*This item requires special ordering. Please consult with a salesperson for the estimated lead time.

Built For Water

Main Office

133 Kitchener Road
Singapore 208517

Mon-Fri: 8:00am - 5:30pm
Sat: 8:00am - 1:00pm
Sun & PH: Closed

North Office

10 Admiralty Street, North
Link Building #02-45
Singapore 757695

Mon-Fri: 8:00am - 5:00pm
Sat: 8:00am - 1:00pm
Sun & PH: Closed