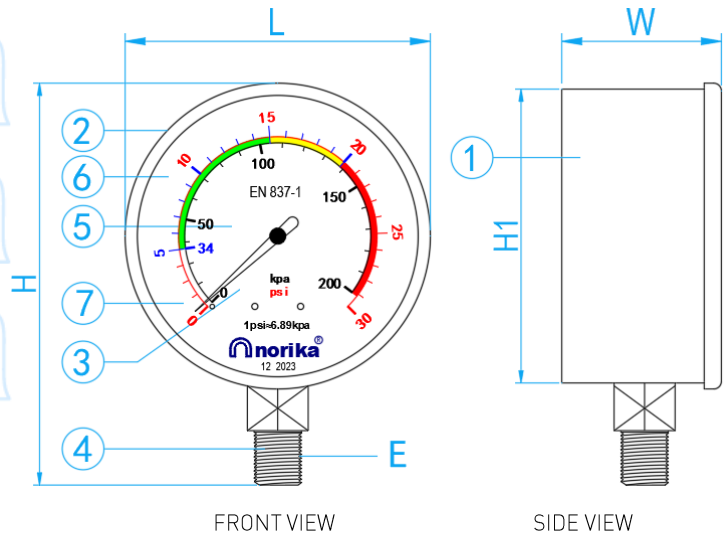
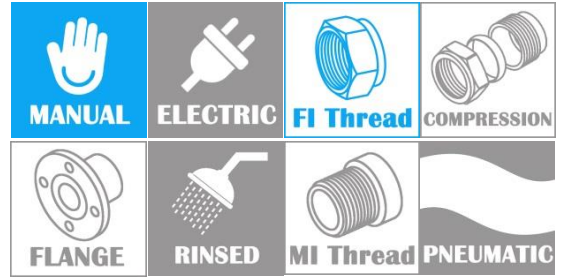


0-30 PSI STAINLESS STEEL LOW PRESSURE GAUGE (MODEL:WT-8001)



*Calibration certificates are provided upon customer request
(Additional added cost will be included)

COMPONENT PARTS

ITEM	PARTS	MATERIAL
1	Case	AISI304
2	Viewing lens	ABS
3	Screw	Stainless Steel
4	Socket	Brass
5	Indicator needle	Aluminium Black Painted
6	Dial	Aluminium White Painted With Black/ Red Marking
7	Stop Pin	Aluminium

STANDARD SPECIFICATIONS

SKU	SIZE (mm)	L (mm)	W (mm)	H (mm)	H1 (mm)	E (inch)	PCS/CTN	OPERATING PRESSURE
PG065030	65	63	28	81	63	1/4" BSPT	70	0-30 PSI (0-200 KPa)
PG080030	80	80	33	107	79	3/8" BSPT	70	0-30 PSI (0-200 KPa)

* When releasing of pressure, please open release valve slowly to avoid pin out of calibration.