

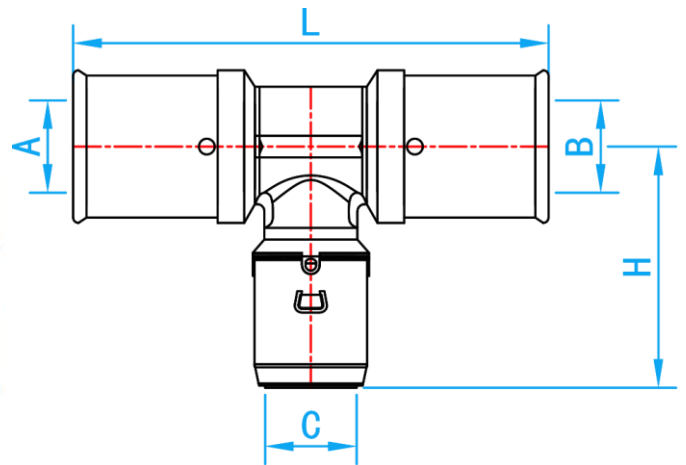
# PEX MULTI LAYER PIPES AND FITTINGS



COMPLY WITH BS EN ISO 21003-1:2008  
 BS EN ISO 21003-3:2008  
 BS EN ISO 21003-5:2008  
 BS EN 12165:2016  
 AS/NZS 4020:2005  
 SS 375:2015



## F5 PRESSFIT X F6 PUSH-FIT PEX REDUCING TEE



SIDE VIEW

### DIMENSIONS

SKU	SIZE A×B×C (mm)	A (mm)	B (mm)	C (mm)	L (mm)	H (mm)	WEIGHT (kg)	PCS/CTN
PEXF6RT0404025	40×40×25	31.75	31.75	19.75	128	63	0.485	24
PEXF6RT0404032	40×40×32	31.75	31.75	25.75	136	68	0.556	20