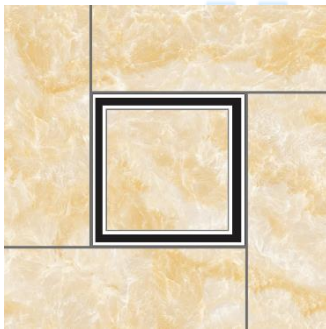
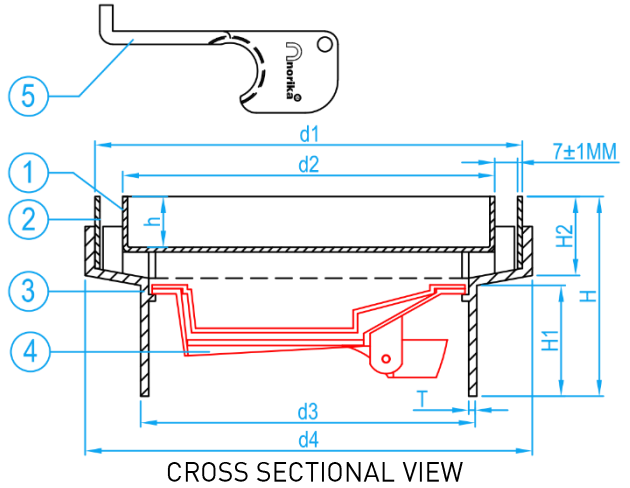
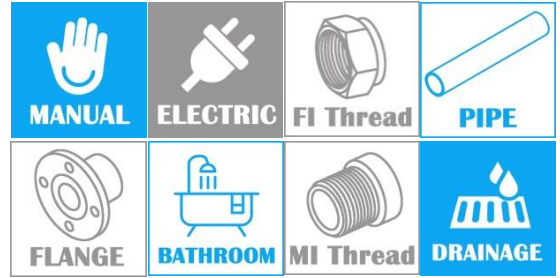
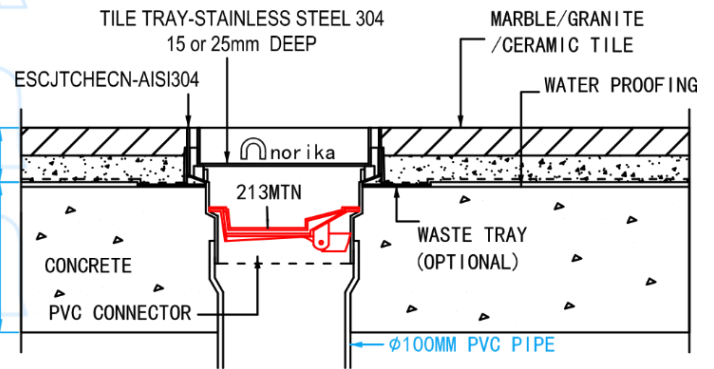


STAINLESS STEEL DECORATIVE SMARTDRAIN (HDB APPROVED DESIGN)

COMPLY WITH SS213:1998



INSTALLATION EFFECT



*** AISI316L material is available upon request.**

CHARACTERISTIC	
Main function	Drainage, sealing
Surface treatment	Hairline
Applications	Sleek and modern smartdrain for use in residential, hotels, apartments, office buildings. HDB. Villas

COMPONENT PARTS		
ITEM	PARTS	MATERIAL
1	Tray	AISI304L
2	Frame	AISI304L
3	Base	UPVC
4	Filter	UPVC (213MTNB)
5	Key	Nylon

DIMENSIONS												
SKU	d1 (mm)	d2 (mm)	d3 (mm)	d4 (mm)	H (mm)	H1 (mm)	H2 (mm)	h (mm)	T (mm)	WEIGHT (Kg)	PCS/CTN	
SMARTDRAIN125T-HDB	131	114	103	137	60	34	23	15.5	2.5	0.505	20	
SMARTDRAIN125M-HDB					70							33