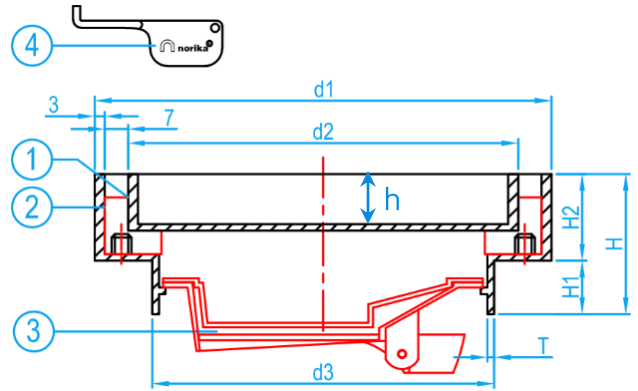
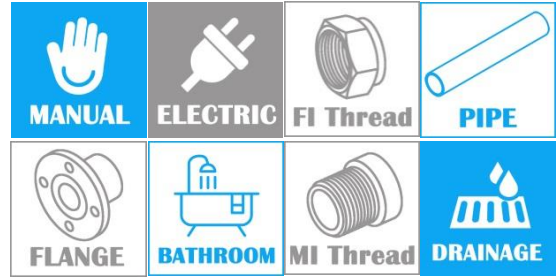
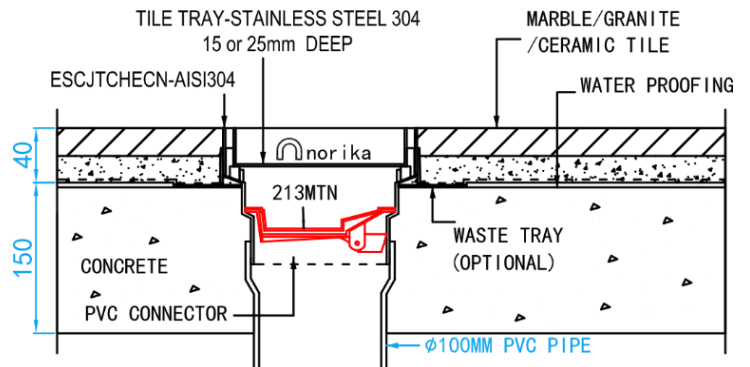


AISI304L LUXURY SMARTDRAIN TILE & MARBLE (For GCB Projects)

COMPLY WITH SS213:1998



CROSS SECTIONAL VIEW



* AISI316L material is available upon request.

INSTALLATION EFFECT

CHARACTERISTIC	
Main function	Drainage, sealing
Surface treatment	Hairline
Applications	Sleek and modern smartdrain specially designed for GCB and projects seeking a luxurious design.

COMPONENT PARTS		
ITEM	PARTS	MATERIAL
1	Tray	AISI304L
2	Frame Base	AISI304L
3	Filter	UPVC (213MTNB)
4	Key	Nylon

DIMENSIONS

SKU	d1 (mm)	d2 (mm)	d3 (mm)	H (mm)	H1 (mm)	H2 (mm)	h (mm)	T (mm)	WEIGHT (Kg)	PCS/CTN
SMARTDRAIN125T-GCB	137	117	102.5	42	16	26	15	2	0.968	20
SMARTDRAIN125M-GCB	137	117	102.5	50	16	34	23	2	1.168	20