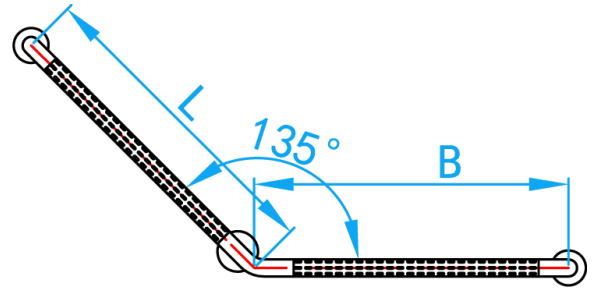


ANTIBACTERIAL S/STEEL HANDICAPPED GRAB BAR FOR AMBULANT TOILET

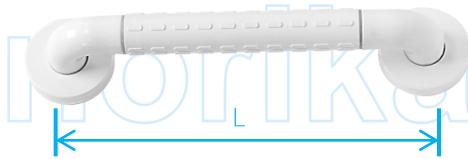
COMPLY WITH JIS Z 2801:2000



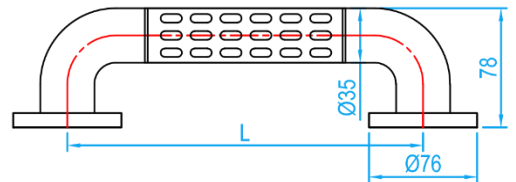
TYPE B : ABGBV



SIDE SECTIONAL VIEW

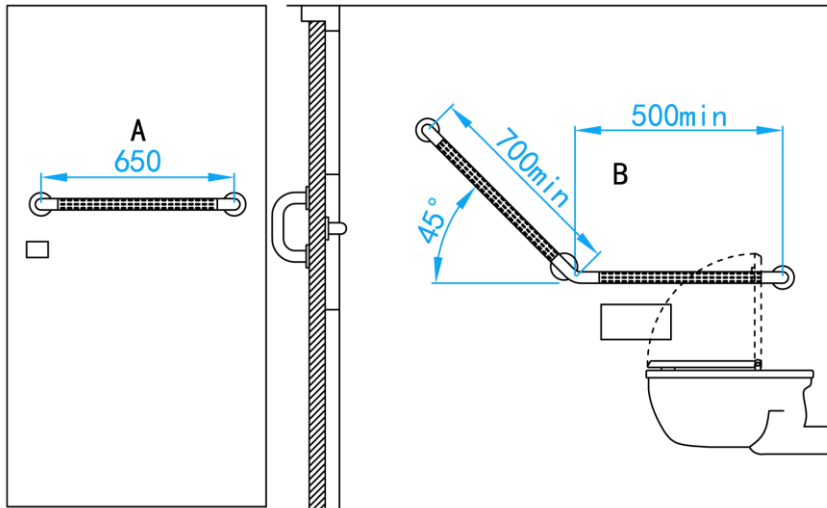


TYPE A : ABGB



SIDE VIEW

AMBULANT TOILET



STANDARD SPECIFICATIONS

| SKU | MATERIAL | L (mm) | PIPE DIAMETER (mm) | WEIGHT (kg) | PCS/CTN |
|-------------|-----------------|-------------------|--------------------|-------------|---------|
| ABGBV700700 | AISI304 & NYLON | 700 (L) x 700 (B) | Ø35 | 2.085 | 10 |
| ABGB0650 | AISI304 & NYLON | 650 | Ø35 | 1.15 | 20 |