

FUSION BONDED EPOXY COATED HUBLESS BEND

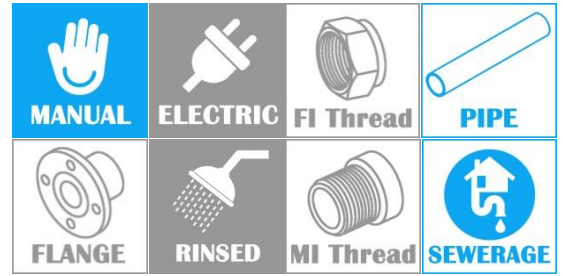
COMPLY WITH EN877:2010 01

COATING CHARACTERISTIC

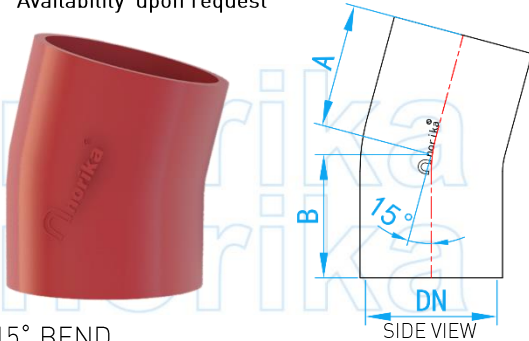
Fittings:

Epoxy fittings inside and outside: Fusion bonded epoxy coating.

Coating Thickness: Min- 240µm



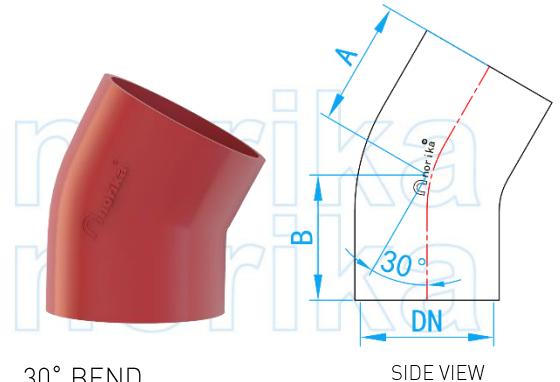
*Availability upon request



15° BEND

DIMENSIONS

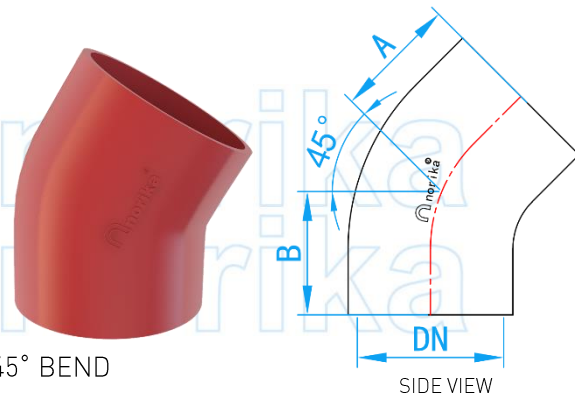
SKU	DN (mm)	A (mm)	B (mm)	WEIGHT (kg)
HUBB15050EPC	50	40	40	0.6
HUBB15080EPC	75	50	50	0.8
HUBB15100EPC	100	50	50	1.0
HUBB15125EPC	125*	60	60	1.7
HUBB15150EPC	150	65	65	2.5
HUBB15200EPC	200	80	80	4.6



30° BEND

DIMENSIONS

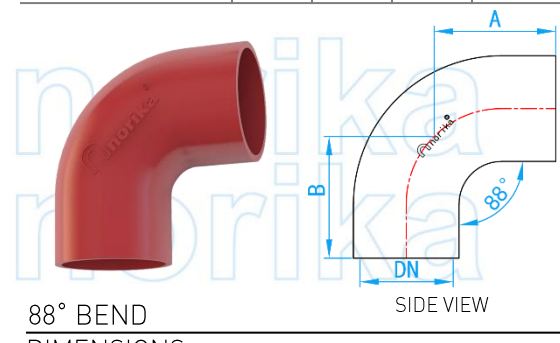
SKU	DN (mm)	A (mm)	B (mm)	WEIGHT (kg)
HUBB30050EPC	50	45	45	0.5
HUBB30080EPC	75	60	60	0.8
HUBB30100EPC	100	60	60	1.3
HUBB30125EPC	125*	70	70	2.0
HUBB30150EPC	150	80	80	3.0
HUBB30200EPC	200	95	95	5.4
HUBB30250EPC	250	110	110	9.7
HUBB30300EPC	300	130	130	15.5



45° BEND

DIMENSIONS

SKU	DN (mm)	A (mm)	B (mm)	WEIGHT (kg)
HUBB45050EPC	50	60	60	0.5
HUBB45080EPC	75	60	60	1.0
HUBB45100EPC	100	70	70	1.6
HUBB45125EPC	125*	80	80	2.3
HUBB45150EPC	150	90	90	3.5
HUBB45200EPC	200	110	110	6.2
HUBB45250EPC	250	130	130	10.3
HUBB45300EPC	300	155	155	17.3



88° BEND

DIMENSIONS

SKU	DN (mm)	A (mm)	B (mm)	WEIGHT (kg)
HUBB90050EPC	50	75	75	0.7
HUBB90080EPC	75	95	95	1.4
HUBB90100EPC	100	110	110	2.1
HUBB90125EPC	125*	125	125	3.2
HUBB90150EPC	150	145	145	4.9
HUBB90200EPC	200	180	180	8.8
HUBB90250EPC	250	225	225	17.9
HUBB90300EPC	300	260	260	28.0