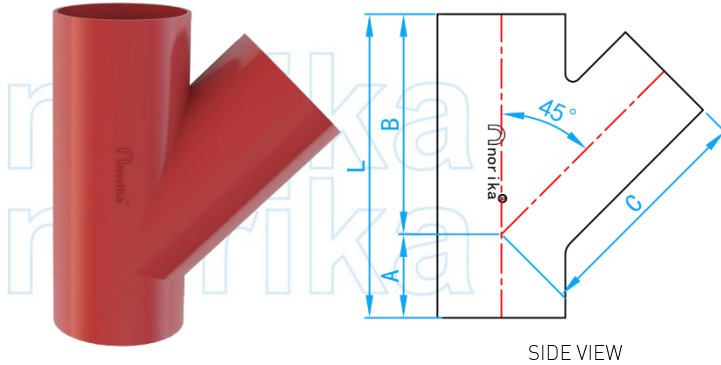
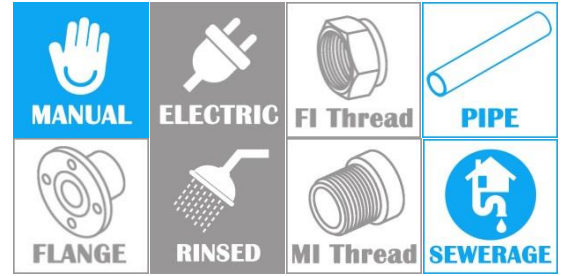


# FUSION BONDED EPOXY COATED HUBLESS BRANCH TEE 45°

COMPLY WITH EN877:2010 01



### COATING CHARACTERISTIC

**Fittings:**

Epoxy fittings inside and outside: Fusion bonded epoxy coating.

Coating Thickness: Min- 240µm

\*Availability upon request

### DIMENSIONS

| SKU            | DN (mm)  | A (mm) | B (mm) | L (mm) | C (mm) | WEIGHT (kg) |
|----------------|----------|--------|--------|--------|--------|-------------|
| HUBYT050EPC    | 50X50    | 50     | 135    | 185    | 135    | 1.4         |
| HUBYT08050EPC  | 75X50    | 50     | 140    | 190    | 140    | 1.8         |
| HUBYT080EPC    | 75X75    | 65     | 160    | 225    | 160    | 2.4         |
| HUBYT10050EPC  | 100X50   | 35     | 165    | 200    | 165    | 2.5         |
| HUBYT10080EPC  | 100X75   | 55     | 175    | 230    | 175    | 3.3         |
| HUBYT100EPC    | 100X100  | 70     | 205    | 275    | 205    | 4.2         |
| HUBYT12550EPC  | 125X50*  | 20     | 185    | 205    | 185    | 3.4         |
| HUBYT12580EPC  | 125X75*  | 40     | 200    | 240    | 200    | 4.4         |
| HUBYT125100EPC | 125X100  | 60     | 220    | 208    | 220    | 5.2         |
| HUBYT15080EPC  | 150X75   | 30     | 215    | 345    | 215    | 5.9         |
| HUBYT150100EPC | 150X100  | 55     | 240    | 295    | 240    | 6.8         |
| HUBYT150125EPC | 150X125* | 70     | 255    | 325    | 255    | 8.0         |
| HUBYT150EPC    | 150X150  | 90     | 265    | 355    | 265    | 9.2         |
| HUBYT20080EPC  | 200X75   | 15     | 240    | 255    | 240    | 8.5         |
| HUBYT200100EPC | 200X100  | 40     | 265    | 305    | 265    | 10.0        |
| HUBYT200125EPC | 200X125* | 55     | 280    | 335    | 280    | 11.9        |
| HUBYT200150EPC | 200X150  | 75     | 300    | 375    | 300    | 13.3        |
| HUBYT200EPC    | 200X200  | 115    | 340    | 455    | 340    | 17.2        |
| HUBYT250100EPC | 250X100* | 15     | 310    | 325    | 310    | 15.4        |
| HUBYT250125EPC | 250X125* | 35     | 335    | 370    | 335    | 17.7        |
| HUBYT250150EPC | 250X150* | 55     | 350    | 405    | 350    | 20.2        |
| HUBYT250200EPC | 250X200* | 90     | 385    | 475    | 385    | 25.1        |
| HUBYT250EPC    | 250X250* | 130    | 430    | 560    | 430    | 31.5        |
| HUBYT300100EPC | 300X100* | 5      | 345    | 350    | 345    | 22.0        |
| HUBYT300125EPC | 300X125* | 15     | 360    | 375    | 360    | 23.9        |
| HUBYT300150EPC | 300X150* | 35     | 380    | 415    | 380    | 26.9        |
| HUBYT300200EPC | 300X200* | 70     | 415    | 485    | 415    | 34.0        |
| HUBYT300250EPC | 300X250* | 115    | 465    | 580    | 465    | 34.0        |
| HUBYT300EPC    | 300X300* | 155    | 505    | 660    | 505    | 50.1        |