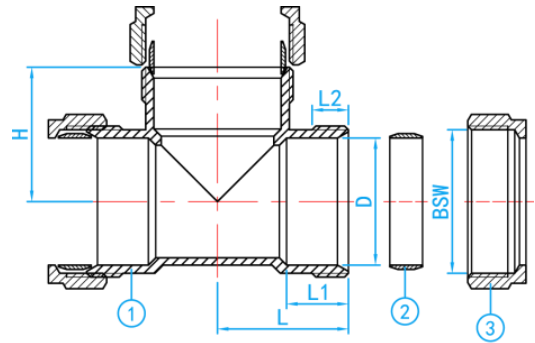
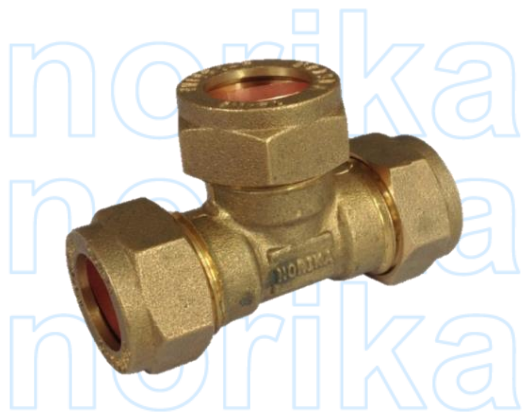


COMPRESSION TEE

COMPLY WITH BSEN1254-2:1998



SECTION VIEW

COMPONENT PARTS

ITEM	PARTS	MATERIAL
1	Body	CR Brass
2	Ring	Brass
3	Nut	Brass

DIMENSIONS

SKU	D (mm)	BSW	H (mm)	L (mm)	L1 (mm)	L2 (mm)	WEIGHT (kg)	PCS/CTN
CRCCT015	15	G1/2"	21.5	21.5	12	7.5	0.087	200
CRCCT020	22	1-1/8"	26	24.45	13	7.8	0.089	120
CRCCT025	28	1-3/8"	30	30	14.5	9.0	0.280	60
CRCCT035	35	1-5/8"	37	36	17	10	0.400	40
CRCCT042	42	1-64/67"	40.5	39	18	11.5	0.540	30
CRCCT050	54	2-31/64"	47.7	47	21.8	12.5	0.890	15