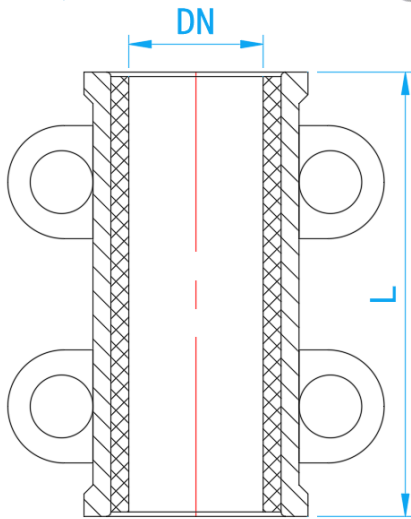


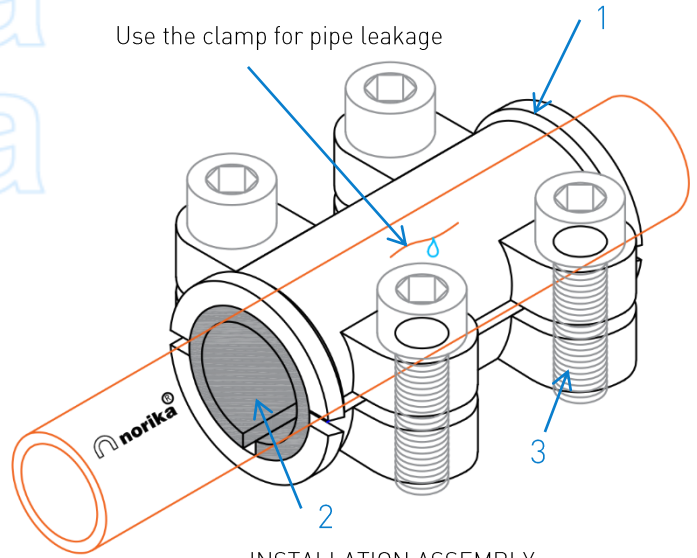
BRASS PIPE REPAIR CLAMP

MANUAL	ELECTRIC	FI Thread	PIPE
FLANGE	RINSED	MI Thread	PNEUMATIC



SIDE VIEW

Use the clamp for pipe leakage



INSTALLATION ASSEMBLY

COMPONENT PARTS

ITEM	PARTS	MATERIAL
1	Body	Brass
2	Liner	EPDM
3	Bolts	Nickel plated iron
4	Allen Key	Chrome plated iron

DIMENSIONS					APPLICABLE PIPE SIZE			
SKU	SIZE (inch)	DN (mm)	L (mm)	ALLEN KEY	S/STEEL (mm)	COPPER (mm)	WEIGHT (kg)	PCS/CTN
CFRCN015	1/2"	15	49.5	M6×110	15	15	0.133	90
CFRCN020	3/4"	22	59.5	M6×110	22	22	0.196	50
CFRCN025	1"	28	69.5	M6×110	28	28	0.286	40
CFRCN035	1 1/4"	35	70.0	M8×129	35	35	0.413	25
CFRCN042	1 1/2"	42	80.0	M8×129	42	42	0.540	15
CFRCN050	2"	54	100.0	M8×129	54	54	0.902	10