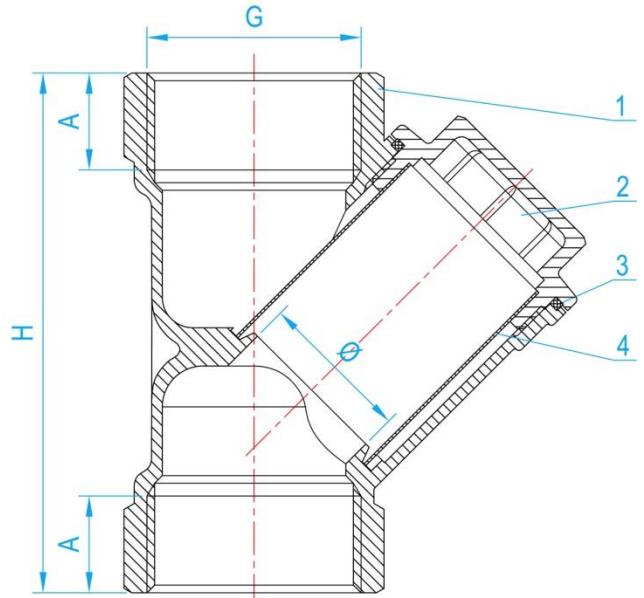


# BRASS Y STRAINER

COMPLY WITH BSEN1092-2:1997



## STANDARD SPECIFICATIONS

Nominal Pressure	1.6Mpa
Working Medium	Water, Non Corrosive Liquid
Working Temperature	0°C<t≤100°C

## COMPONENT PARTS

ITEM	PARTS	MATERIAL
1	Body	CW602N
2	Bonnet	CW602N
3	Valve Clack	PTFE
4	Filter	AISI304

## DIMENSIONS

SKU	G (inch)	A (mm)	H (mm)	Ø (mm)	WEIGHT (kg)	PCS/CTN
YSCRN015	1/2"	13	61	13.5	0.169	120
YSCRN020	3/4"	14	74	19	0.241	80
YSCRN025	1"	16.5	90	24	0.388	60
YSCRN035	1 1/4"	19	102	30	0.586	40
YSCRN042	1 1/2"	19	111	35	0.712	30
YSCRN050	2"	23.4	139	45	1.192	16
YSCRN065	2 1/2"	26.5	165	54.4	2.233	10