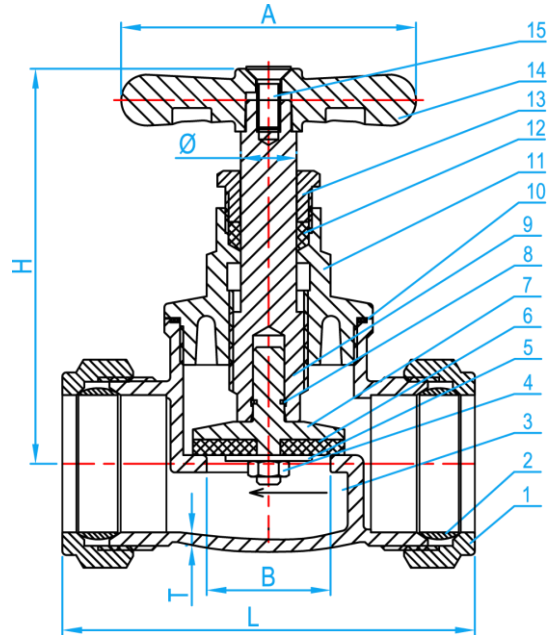
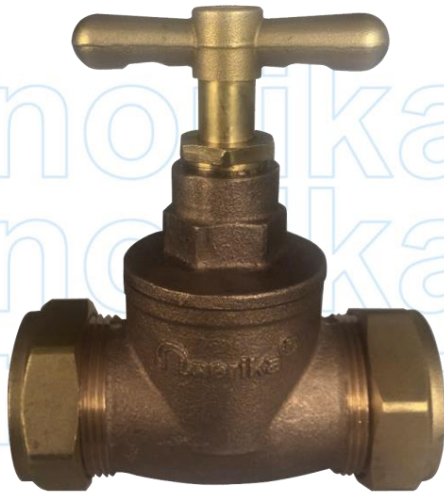


BRONZE GLOBE VALVE WITH COMPRESSION END

COMPLY WITH BS 5154:1991
 BS EN 1254-2: 1998
 AS/NZS 4020: 2005
 SS 375: 2015
 BS3457: 1973
 BS EN 1982: 2008
 BS EN 12165: 2016



CROSS SECTIONAL VIEW

STANDARD SPECIFICATIONS

Nominal Pressure	1.6Mpa
Working Medium	Water
Working Temperature	- 20° -120°C

DIMENSIONS

SKU	SIZE (mm)	A (mm)	B (mm)	T (mm)	L (mm)	Ø (mm)	H (mm)	WEIGHT (kg)	PCS/CTN
GLVCRN035	35	75	31.5	3.2	108	14.2	101	1.176	16
GLVCRN042	42	100	37.8	3.2	118	15.8	116	1.600	16
GLVCRN050	50	110	50.4	3.2	142	17.4	135	2.676	8

COMPONENT PARTS

ITEM	PARTS	MATERIAL
1	Compression Nut	Brass
2	Compression Ring	Brass
3	Body	Bronze
4	Nut	AISI304
5	Washer Plate	AISI304
6	Valve Clack	EPDM
7	Valve Seat	DZR Brass
8	Bead Flange	AISI304
9	Stem	DZR Brass
10	Gasket	PTFE
11	Bonnet	Bronze
12	Gland Packing	Expanded Graphite
13	Gland Nut	Brass
14	Handle	Ductile Iron
15	Head Screw	Brass