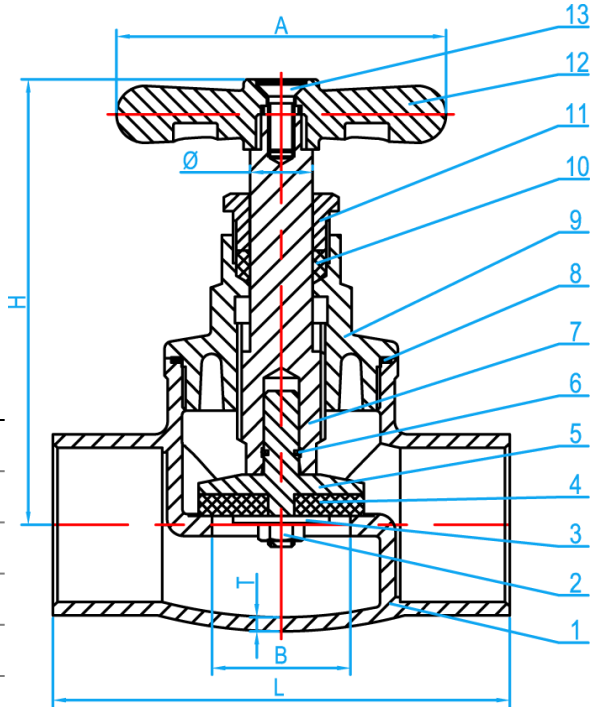
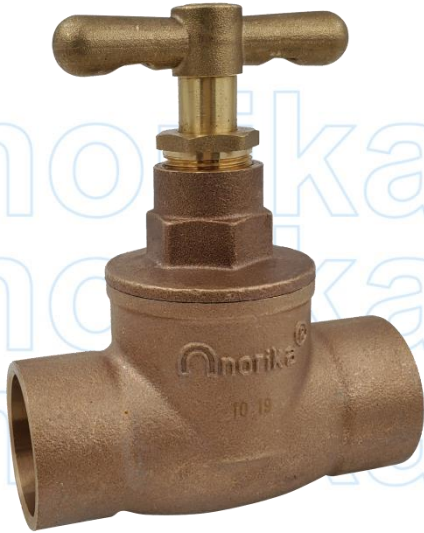
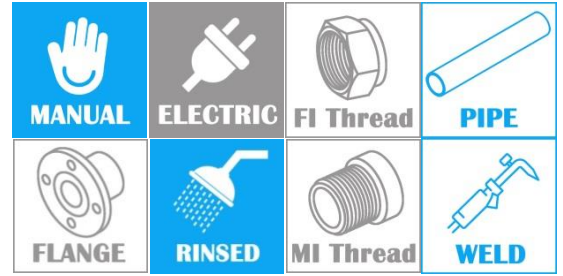


BRONZE STOP COCK SOLDERING END

COMPLY WITH SS 75:Part2:1978



CROSS SECTIONAL VIEW

COMPONENT PARTS

ITEMS	PARTS	MATERIAL
1	Body	Bronze
2	Nut	AISI304
3	Washer Plate	AISI304
4	Valve Clack	EPDM
5	Valve Seat	DZR Brass
6	Bead Flange	AISI304
7	Stem	DZR Brass
8	Gasket	PTFE
9	Bonnet	Bronze
10	Gland Packing	Expanded Graphite
11	Gland Nut	Brass
12	Handle	Brass
13	Head Screw	Brass

STANDARD SPECIFICATIONS

Nominal Pressure	1.6Mpa
Working Medium	Water
Working Temperature	$t \leq 100^{\circ}\text{C}$

DIMENSIONS

SKU	SIZE (mm)	A (mm)	B (mm)	T (mm)	L (mm)	\varnothing (mm)	H (mm)	WEIGHT (kg)	PCS/CTN
SCMBLN035	35	75	31.5	3.2	104	14.2	102	0.997	24