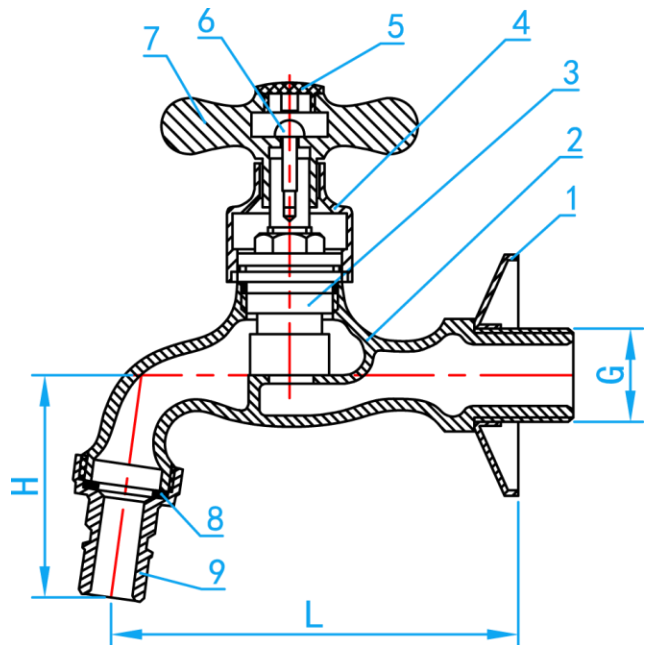
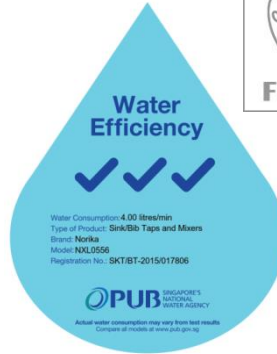


# CROSS HANDLE [QUICK TURN-ACTION] UNION TAP

COMPLY WITH BS EN200:2008



SECTION VIEW

## COMPONENT PARTS

ITEM	PARTS	MATERIAL
1	Decorative cover	Stainless Steel
2	Body	DZR Brass
3	Piston	Ceramic + Brass
4	Decorative cover	Kirsite
5	Tab	ABS
6	Screw	Brass
7	Handle	Kirsite
8	Washer	Silica Gel
9	Outlet Joint	Brass

## STANDARD SPECIFICATIONS

Nominal pressure	1.0MPa
Working Medium	Water
Working Temperature	0°C ≤ t ≤ 90 °C

## SPECIFICATIONS

SKU	G (inch)	L (mm)	H (mm)	WEIGHT (Kg)	PCS/CTN
NXL0556	1/2" BSP	96	52	0.357	40