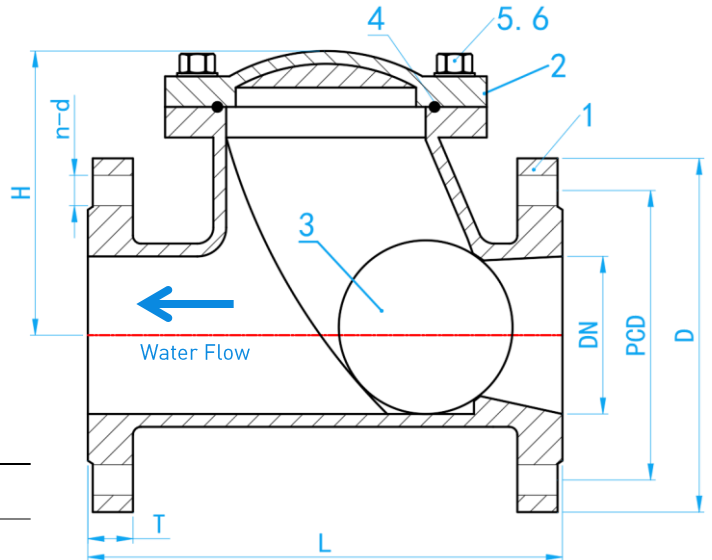
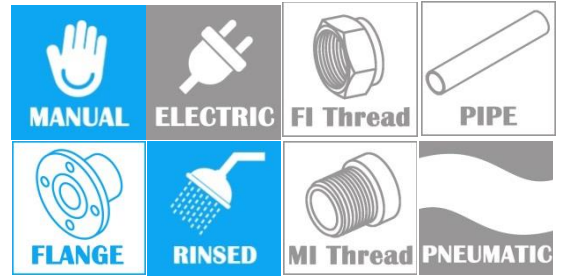


DUCTILE IRON BALL CHECK VALVE

COMPLY WITH BS EN 545:2010



CROSS SECTIONAL VIEW

STANDARD SPECIFICATIONS

Nominal Pressure	PN16
Opening inlet Pressure	≥ 0.5 Bar
Close The Leak Free Pressure	2 Bar
Operating Temperature	0 ~ 80°C

COMPONEN PARTS

ITEM	PARTS	MATERIAL
1	Body	Ductile Iron
2	Valve Cover	Ductile Iron
3	Globe Valve	WCB + NBR
4	O-ring	NBR
5	Bolt	AISI304
6	Washer	AISI304

- Adopting a full channel structure, it has the advantages of high flow rate and low resistance.
- The outer layer of the spherical valve disc is covered with rubber, and the valve disc automatically rotates in the flow channel, updating the sealing working surface, ensuring uniform wear and service life of the spherical surface
- The spherical valve disc is more suitable for industrial and domestic sewage pipelines with high viscosity and suspended solids.

DIMENSIONS

SKU	DN (mm)	L (mm)	D (mm)	PCD (mm)	H (mm)	NOS Of BOLT HOLES	T (mm)	WEIGHT (Kg)
BCVDIN080	80	245	200	160	140	8-19	20	13.4
BCVDIN100	100	295	220	180	160	8-19	22	18.2
BCVDIN150	150	362	285	240	216	8-23	24	40.7

*Note: The tolerance for L is ±5% .