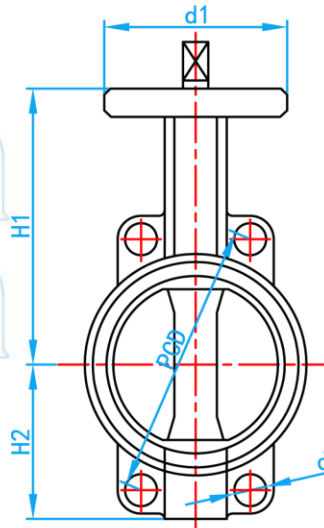
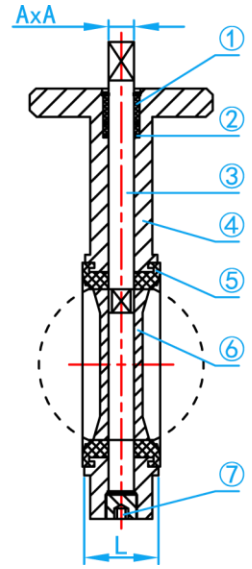


DUCTILE IRON BUTTERFLY VALVE

COMPLY WITH BSEN593:2004
 BSEN558-1:1996
 BSEN12266-1:2003



SIDE VIEW



CROSS SECTIONAL VIEW

COMPONENT PARTS

ITEM	PARTS	MATERIAL
1	Sleeve	Teflon
2	O-ring	NBR
3	Stem	AISI304
4	Body	Ductile Iron
5	Seal Ring	EPDM
6	Disc	Ductile Iron
7	Screw	Stainless steel

STANDARD SPECIFICATIONS

Nominal Pressure	PN16
Sealing Test Pressure	1.76Mpa
Strength Test Pressure	2.4Mpa
Suitable Temperature	- 10°~120°C

DIMENSIONS

SKU	SIZE (mm)	H1 (mm)	H2 (mm)	L (mm)	PCD (mm)	d1 (mm)	AxA (mm)	d (mm)	WEIGHT (kg)
BTFVN050	50	161	80	42.0	125	90	9x9	18	3.8
BTFVN065	65	175	90	44.0	145	90	9x9	18	4.3
BTFVN080	80	181	95	48.0	160	90	11x11	18	5.5
BTFVN100	100	200	114	52.0	180	90	12x12	18	6.3
BTFVN125	125	213	127	56.0	210	90	14x14	18	8.5
BTFVN150	150	226	140	56.0	240	90	14x14	22	10.8
BTFVN200	200	260	175	60.0	295	90	17x17	22	17.0
BTFVN250	250	292	203	68.0	355	125	20x20	26	24.0
BTFVN300	300	337	242	78.0	410	125	22x22	26	35.0