

DUCTILE IRON HEAVY DUTY AIR TIGHT MANHOLE COVER

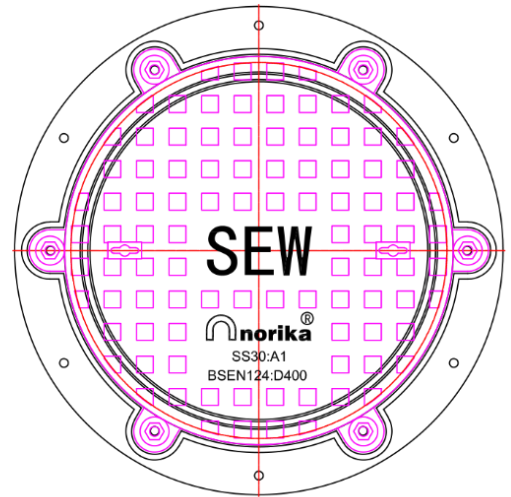


COMPLY WITH SS EN 124-2:2021
SS 30:1999 [2012]
BS 9124:2008

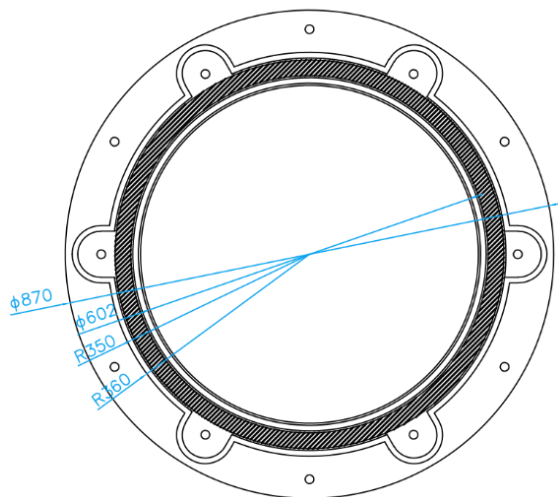
Type of Weight (Symbol)	SS 30	Design Load	Place of Installation	SS EN 124-2	Design Load
	A1	400KN	In carriageways of expressways, arterial, industrial roads and parking areas for all types of road vehicles.	D400	400KN



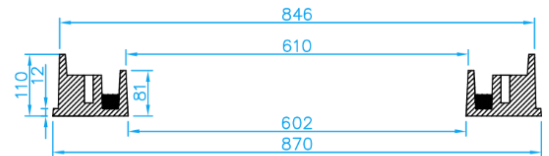
COVER AND FRAME ASSEMBLY



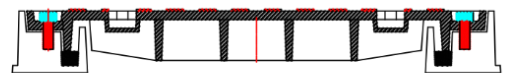
TOP VIEW



FRAME TOP VIEW



FRAME SIDE CROSS SECTIONAL VIEW



COVER AND FRAME SIDE CROSS SECTIONAL VIEW

DIMENSIONS

SKU	MATERIAL	INTERNAL OPENING (mm)	EXTERNAL (mm)	HEIGHT (mm)	Remarks/ Optional
DIMCATD400-R0600SEW	Ductile Iron	Ø600	Ø870	110	Air / Water Tight With "SEW" label