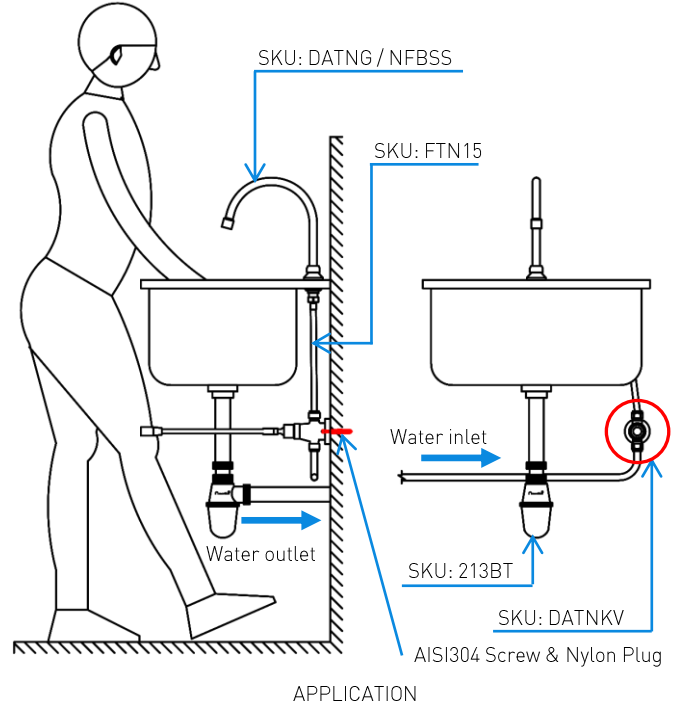
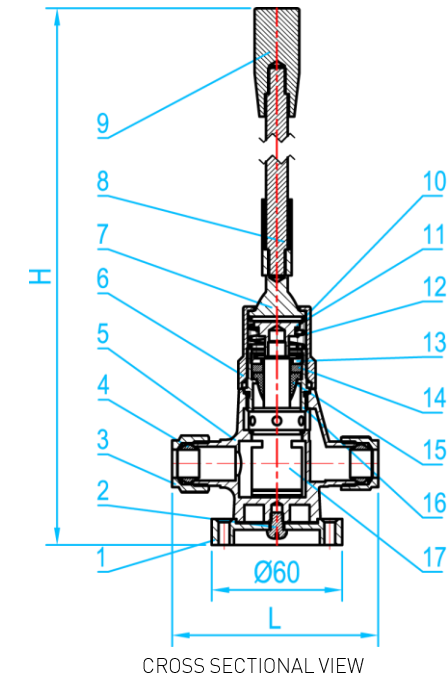


EXPOSED KNEE OR FOOT OPERATED VALVE



COMPONENT PARTS

ITEM	PARTS	MATERIAL
1	Seat	Chrome-plated Brass
2	Screw	AISI304
3	Nut	Chrome-plated Brass
4	Ring	Copper
5	Body	Chrome-plated Brass
6	Decorative cover	Chrome-plated Brass
7	Lever	Chrome-plated Brass
8	Extension lever	PA
9	Lever Handle	ABS
10	Spring	AISI304
11	Spring Pressure Cap	Brass
12	Spring	AISI304
13	Gland	Brass
14	Ring	ABS
15	Taper Ring	EPDM
16	Bonnet	Brass
17	Spool Assembly	Brass & EPDM

STANDARD SPECIFICATIONS

Working Pressure	10 Bar
Working Medium	Water
Working Temperature	$t \leq 90\text{ }^{\circ}\text{C}$
Delay Time	5 - 7 sec

DIMENSIONS

SKU	SIZE (mm)	H (mm)	L (mm)	WEIGHT (kg)	PCS/CTN
DATNKV	15	450	93	0.840	40

* Compatible with swing spout (DATNG or NFBSS) and flexible hose (FTN150--) at kitchen sink or hospital sink.