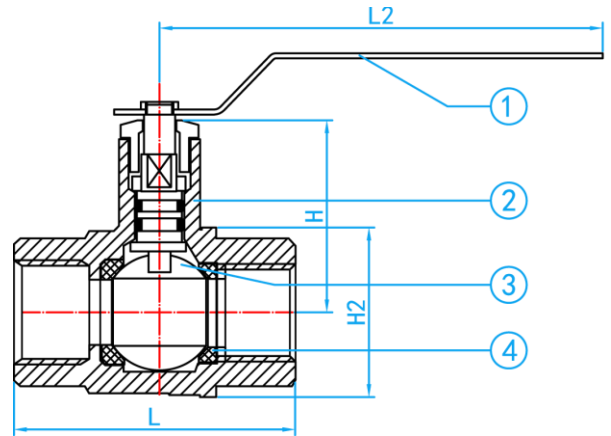
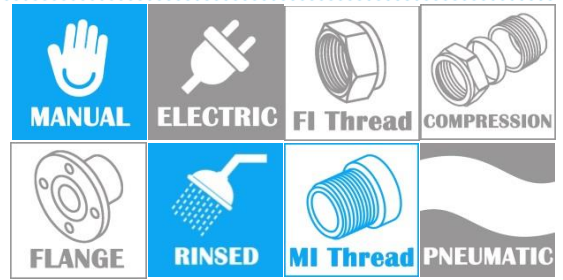


LOCKABLE BLUE HANDLE STAINLESS STEEL 316 FULLBORE BALL STOP VALVE

COMPLY WITH BS EN13828:2003



CROSS SECTIONAL VIEW

COMPONENT PARTS

ITEM	PARTS	MATERIAL
1	Handle	PVC Coated AISI304
2	Valve Body	AISI316
3	Ball	AISI316
4	Seat	PTFE

STANDARD SPECIFICATIONS

Max Pressure	16bars
Working Medium	Water
Working Temperature	-20°C ≤ t ≤ 120 °C

DIMENSIONS

SKU	DN (mm)	SIZE (inch)	H (mm)	H2 (mm)	L (mm)	L2 (mm)	WEIGHT (kg)	PCS/CTN
BVSS316N008	8	1/4" BSP	20	25.0	46.0	87.0	0.196	108
BVSS316N010	10	3/8" BSP	21	25.5	46.5	87.5	0.215	108
BVSS316N015	15	1/2" BSP	22	26.0	47.0	88.0	0.220	108
BVSS316N020	20	3/4" BSP	26	33.0	53.0	88.0	0.345	60
BVSS316N025	25	1" BSP	32	42.0	64.0	110.0	0.510	48
BVSS316N035	32	1 1/4" BSP	39	58.0	79.0	135.0	0.820	32
BVSS316N042	42	1 1/2" BSP	46	64.0	85.0	145.0	1.050	20
BVSS316N050	50	2" BSP	54	79.0	100.0	142.0	1.500	16
BVSS316N065	65	2 1/2" BSP	67	95.0	134.0	210.0	2.650	8
BVSS316N080	80	3" BSP	84	120.0	150.0	240.0	4.440	6
BVSS316N100	100	4" BSP	92	144.0	180.0	240.0	9.100	2