

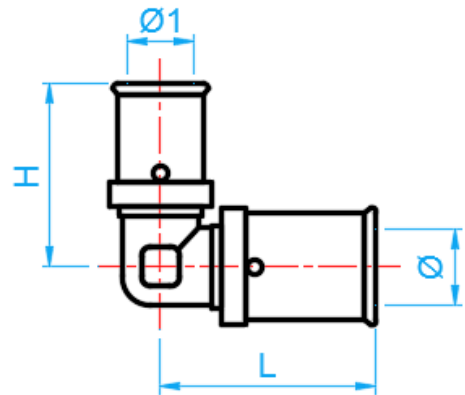
PEX PRESS-FIT FITTINGS (U PROFILE)



COMPLY WITH BS EN ISO 21003-1:2008
 BS EN ISO 21003-3:2008
 BS EN ISO 21003-5:2008
 BS EN 12165:2016
 AS/NZS 4020:2005
 SS 375:2015



F5 90° REDUCING ELBOW



SIDE VIEW

DIMENSIONS

SKU	SIZE (mm)	Ø (mm)	Ø1 (mm)	L (mm)	H (mm)	WEIGHT (kg)	PCS/CTN
PEXF5RE9002016	20X16	15.8	11.8	38.5	40.5	0.060	200
PEXF5RE9002516	25X16	19.8	11.8	45.5	42.5	0.092	128
PEXF5RE9002520	25X20	19.8	15.8	47.5	42.5	0.104	112
PEXF5RE9003216	32X16	25.8	11.8	45.5	46.0	-	-
PEXF5RE9003220	32X20	25.8	15.8	47.5	46.0	-	-
PEXF5RE9003225	32X25	25.8	19.8	49.5	52.5	0.160	80
PEXF5RE9004025	40X25	31.8	19.8	60.0	55.0	-	-
PEXF5RE9004032	40X32	31.8	25.8	64.0	55.1	-	-
PEXF5RE9005025	50X25	40.8	19.8	60.0	60.0	-	-
PEXF5RE9005032	50X32	40.8	25.8	64.0	60.0	-	-
PEXF5RE9005040	50X40	40.8	31.8	67.5	72.5	0.488	24
PEXF5RE9006332	63X32	50.7	25.8	87.0	67.0	-	-
PEXF5RE9006340	63X40	50.7	31.8	90.0	79.5	-	-
PEXF5RE9006350	63X50	50.7	40.8	95.5	79.5	0.938	8