

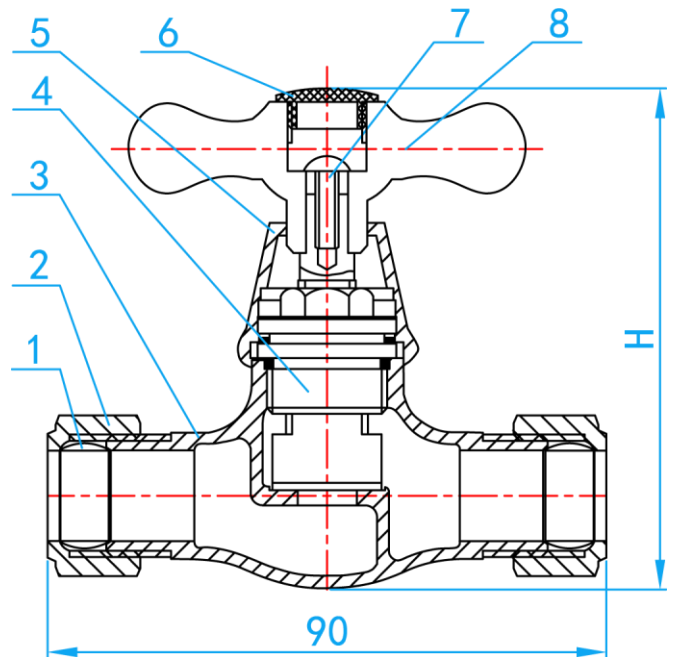
QUICK TURN ACTION SHOWER STOP COCK C/W CHROMED PLATED FINISHING



NXL0554: CROSS HANDLE



NXL0554L: LEVEL HANDLE



SECTION VIEW

COMPONENT PARTS

ITEM	PARTS	MATERIAL
1	Nut	Brass
2	Ring	Copper
3	Body	Brass
4	Ceramic Cartridge	Ceramic/Brass
5	Decorative Cover	Kirsite
6	Tap Handle Cap	ABS
7	Locking Screw	AISI304
8	Handle	Kirsite

CHARACTERISTIC

- Suitable for public, commercial and institutional washrooms.
- Corrosion-resistant material.
- Easy installation and maintenance.

STANDARD SPECIFICATIONS

STOCK CODE	APPLICABLE WATER PRESSURE	WATER TEMPERATURE	WATER SUPPLYING CALIBER	APPLICABLE MEDIUM	H (mm)	WEIGHT (kg)	PCS/CTN
NXL0554	1.0Mpa	t ≤ 90°C	DN 15	Water	90.0	0.357	60
NXL0554L					69.5	0.269	60