

SINGLE JET DRY DIAL COLD WATER METER

COMPLY WITH ISO 4064:2014

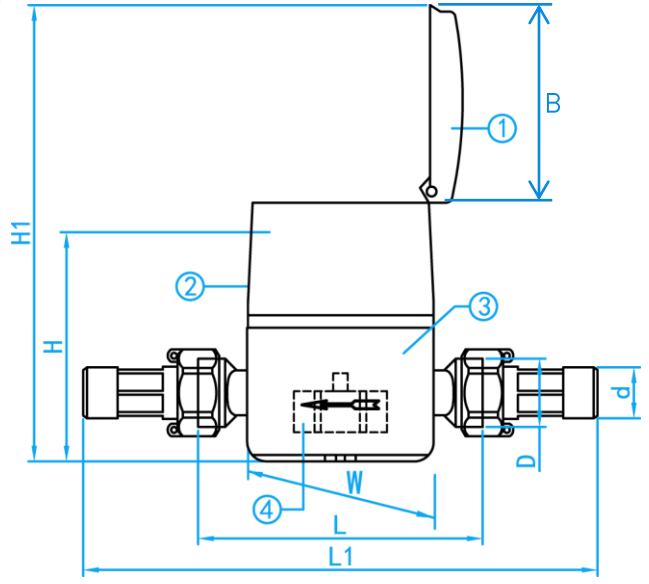
BS EN 12165:2016

AS/NZS 4020:2018

SS 375:2015



PUB general requirements for private water meter,
 1.Colour ---Grey.
 2.Information on the lid--
 (a) Water meter usage monitoring purpose
 (b) Date of installation and
 (c) Remark.



SIDE VIEW

STANDARD SPECIFICATIONS

Water Temperature	0 - 30°C
Operating Pressure	≤ 1.6Mpa

COMPONENT PARTS

ITEM	PARTS	MATERIAL
1	Lid	Plastic
2	Sealed Register	ABS
3	Body	Brass
4	Single Jet Impeller	Plastic

FLOW RATE SPECIFICATIONS

SKU	R [QP/ Qmin]	QS Maximum flow rate [m³/h]	QP Nominal flow rate [m³/h]	Qt Transitional flow rate [l/h]	Qmin Minimum flow rate [l/h]
WMN015-PD	160	3.125	2.5	25	15.625

DIMENSIONS

SKU	SIZE (mm)	L1 (mm)	L (mm)	D (mm)	d (mm)	H (mm)	H1 (mm)	W (mm)	B (mm)	WEIGHT (kg)	PCS/CTN
WMN015-PD	15	224	110	3/4" BSP	1/2" BSPT	112	188	84	70	1.240	10

- *1] Ensure water meter is installed in the correct water flow direction.
- 2] Always ensure to select the correct size and spec for the meter.
- 3] The water meter can be installed in the horizontal, vertical and inclined position.
- 4] The height "H1" is necessary for removing the measuring element.