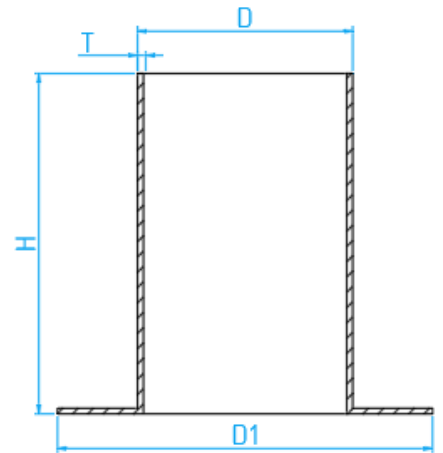


# STAINLESS STEEL 316L PRESS FIT FITTINGS

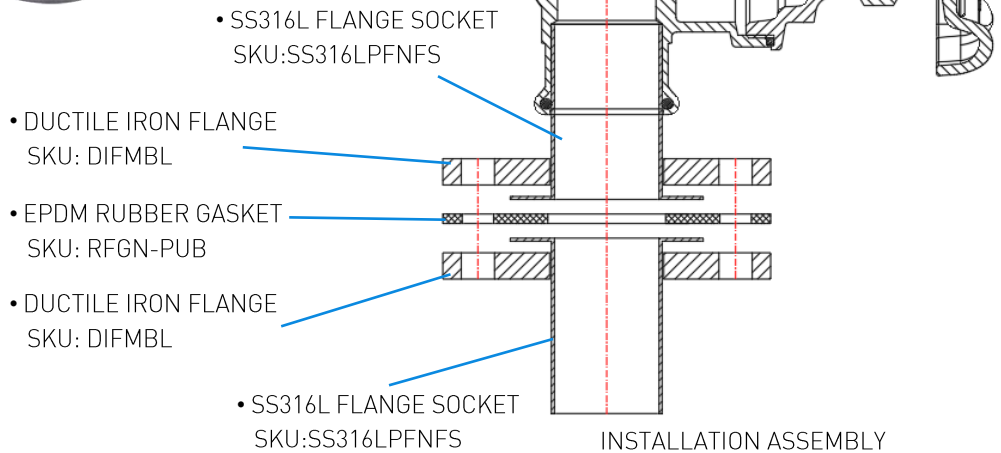
COMPLY WITH BSEN1254-2: 1998



## FLANGE SOCKET



CROSS SECTIONAL VIEW



INSTALLATION ASSEMBLY

### DIMENSIONS

SKU	DN (mm)	D (mm)	D1 (mm)	H (mm)	T (mm)	WEIGHT (kg)	PCS/CTN
SS316LPFNFS042	42	42.07	97	90	1.5	0.265	30
SS316LPFNFS050	54	54.07	107	100	1.5	0.352	45
SS316LPFNFS065	67	66.75	127	140	1.8	0.635	19
SS316LPFNFS080	76	76.30	142	150	2.0	0.780	14
SS316LPFNFS100	108	108.25	160	190	2.0	1.180	8