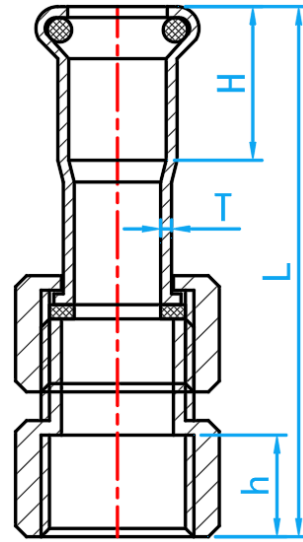


STAINLESS STEEL 316L PRESS FIT FITTINGS (M PROFILE)

COMPLY WITH BSEN1254-2: 1998



FEMALE JOINT CONNECTOR



CROSS SECTIONAL VIEW

DIMENSIONS

SKU	SIZE (mm x inch)	L (mm)	H (mm)	h (mm)	T (mm)	WEIGHT (kg)	PCS/CTN
SS316LPFNFJC015	15×1/2" BSP	71	20	15	1.5	0.110	180
SS316LPFNFJC020	22×3/4" BSP	75	21	17	1.5	0.152	150
SS316LPFNFJC025	28×1" BSP	83	23	19	1.5	0.215	70
SS316LPFNFJC035	35×1 1/4" BSP	91	26	21	1.5	0.326	60
SS316LPFNFJC042	42×1 1/2" BSP	111	31	22	1.5	0.381	50
SS316LPFNFJC050	54×2" BSP	116	36	27	1.5	0.634	24