

Automatic Soap Dispenser

User's Manual

* Thank you for choosing the automatic soap dispenser

* Please read instruction carefully before installation and retain for future reference

Features

Hygienic:

Self-open and close to free hands from any touching, which can prevent you from bacteria mutual infections.

Material:

304 stainless steel shell.

Design:

Top cover can be locked, avoid non-staff to start the machine. Electronic parts are sealed, waterproof and moistureproof.

Installation:

It is suitable for public places: such as hotel, building, school, station, hospital, and households.

Adjustable distance :

Induce distance can be adjusted according to requirement.

Soap vol. Is adjustable:

Designed with SCM, setting is convenient.

Specification

Model	610D/A (soap liquid type)	610P D/A (foam type)
Supply volume per drop (adjustable)	0.8ml-6.5ml	10ml-25ml
Power supply	DC9V(6AA alkaline batteries) AC110~240V 50~60HZ	
Liquid volume	650ml	
Ambient temperature	0.1~45	
Detecting distance	5~15cm	

Troubleshooting

Phenomenon	Problem	Solution
Indicator does not work	sensor failure	change the sensor
	power supply is abnormal	check the adaptor or battery
	sensor distance is too short	adjust the sensor distance longer
	the cable or battery/adaptor doesn't connect well	recheck the cable or change batteries
	sensor window is not clean	clean sensor window
Indicator works but no soap	sensor is induced continuously	remove the possible object in front
	too long sensor distance	adjust the sensor distance shorter
	soap dispenser is failure	call local dealer
Liquid Soap is not enough	soap dispensing time is too short	adjust it according to the manual
	liquid is too slabby	make the viscosity lower
	liquid is freezing or blocking	use it continuously until it works or call your local dealer

Caution

1. To avoid troubleshooting, please don't tap the product as it has been installed with precision electronic component .
2. To avoid the product surface or corrosion inner electric component being damaged. Please use soft cloth with neutral liquid to clean its surface. Then use damp cloth to wipe off wash liquid and then make it dry with dry soft cloth. Don't use water to rush it or use soap detergent, which includes massive powder. Or something have high acidity. Alkalinity or nylon brush etc. Especially note that don't damage glassy cover of sensor window to avoid the sensitivity being reduced.

How to adjust distance and soap volume

First: Mount the soap dispenser onto the wall. Then powered on the Soap Dispenser, the indicator will flicker 5 times. If there is no object in the sensor area for 30 seconds, the setting function will be locked and will go into the factory setting.

1. Adjustment of sensor distance:

You can change the sensor distance if you are not satisfied with the setting. Press and hold the adjustment button for 15s, the Indicator will flicker 5 times, it means that dispenser is in setting state. Now in the setting state, press and hold the adjustment button again for 5s, the indicator will start flashing, during the indicator flashing time, please put another hand under the soap dispenser at the right distance you want to set until the indicator is off. By doing so, you have successfully set the sensor distance.

Notice: (The sensor distance should be 5-15cm)

2. Adjustment of liquid volume

Press and hold the adjustment button for 15s, the Indicator will flick 5 times, it means that dispenser is in setting state. When you get into the setting state, press the adjustment button 2 times (when you press for the first time, the indicator light will flick, once the light is off, then press the adjustment button for the second time), the indicator will be flashing for 5 times asking you to put your hand under the soap dispenser. During the indicator flashing moment, put your hand at the sensor area, the dispenser will dispense soap (there are 7 different liquid levels for this soap dispenser), the moment it dispenses off the perfect amount of soap, just move away your hand. This will be the liquid volume the soap dispenses whenever you use it in the future.

Notice: Please make sure that all the adjustment of liquid volume and sensor distance process should be complete within 30 seconds otherwise the setting function will be locked and will need to press the setting button again for 15s then repeat the same above procedure to reset it again.

Caution before installation

To make sure the product with good function and long life span, please be careful as below:

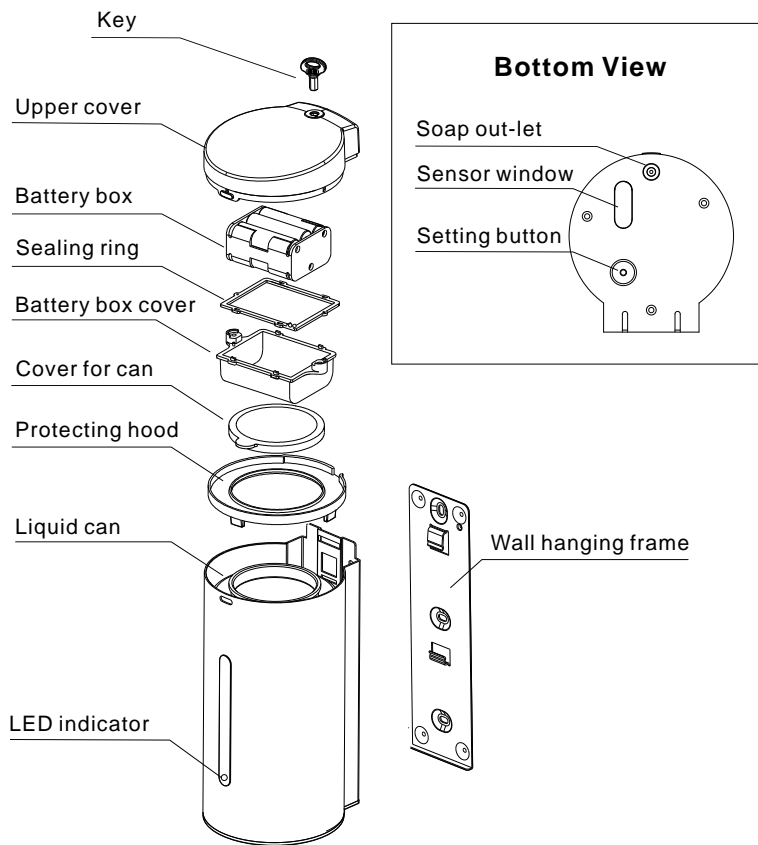
1. Please read the usage manual and installation instruction before you assemble it.
2. Use 6pcs of good quality batteries AA alkaline. Do not use new and old batteries together. (for D type)
3. Please check the wall whether it is smooth or not. Clean the wall before assembling it.
4. Make sure the distance from the bottom of dispenser to reflective object or table is more than 25cm.
5. Please give the manual to the user after installation finished.
6. Don't put barrier in induced distance area.
7. To avoid mistake signal, don't put stainless steel object or photoelectric sensor under the sensor window of soap dispenser.
8. Please assemble it in sunless place.

WARNING:

1. **The machine must be setted in dormant state before using. It runs one time per 72 hours for guarantee no performance defective of silicone tube due to long time storage.**
2. **Please be sure to press the setting button and keep more than 2 seconds when first time using. The indicator will be on 3s, means the machine goes into normal working state.**
3. **You can press the setting button 5 times continuously to adjust the machine into dormant state.**

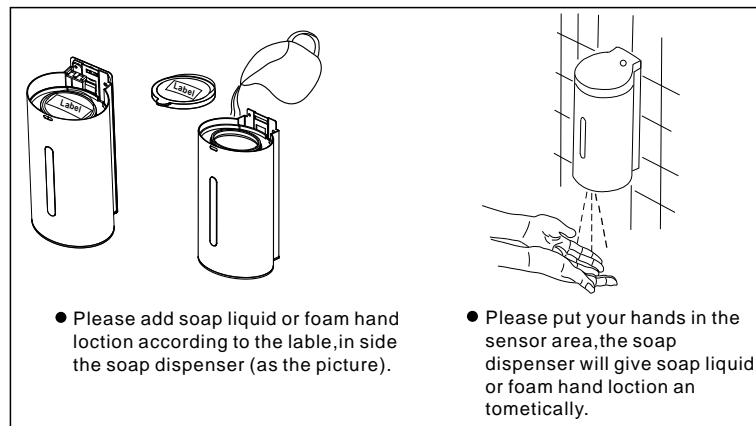
Part name

D type



Usage instruction

1. Open the upper cover by key.
2. Unplug the connector from battery case and connect it with power adaptor accompanying (for A type).
3. Open the liquid can, fill soap into it. Please clean it if liquid is outside.
4. Connect the cable, put the upper cover in former place and locked by key.
5. Put your hand under the sensor window, when sensor receive the signal, the indicator LED light will be flashed and liquid comes out automatically.
6. Press the setting button and keep more than 2s when first time using, and sensor it many times until you get the liquid.
7. When not foam hand lotion, please mix soap liquid with water, then add in into the soap dispenser. It is suggested to mix water with soap liquid in ration 3:1.



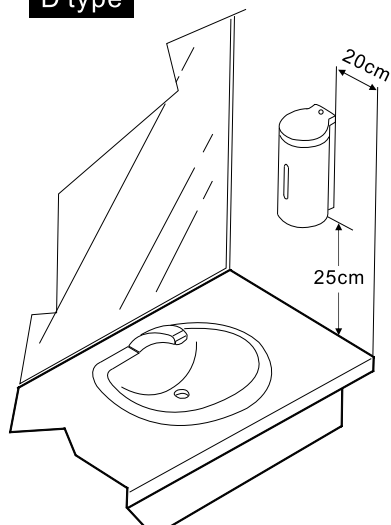
Notice:

Pls remove the mask on lens before using.

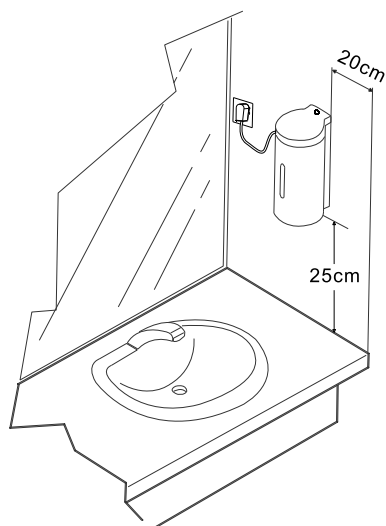
Installation drawing

Suggest distance

D type

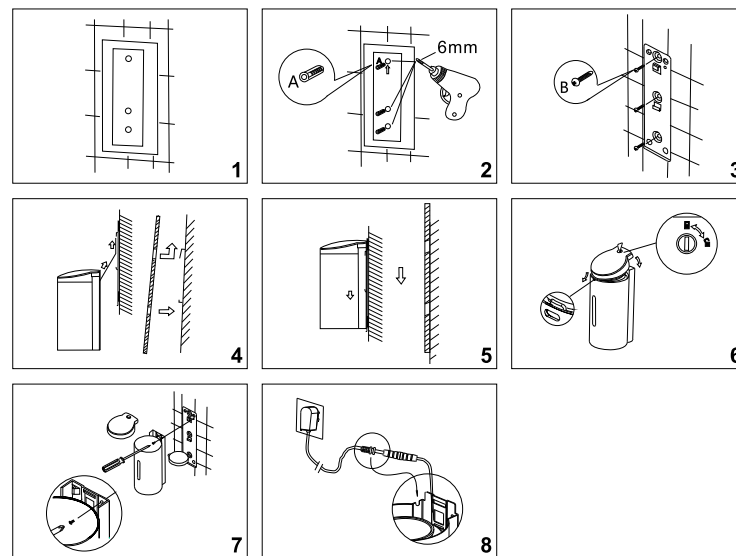


A type



*** If it be installed above stainless steel basin, the distance from sensor window to table must be over 35cm.**

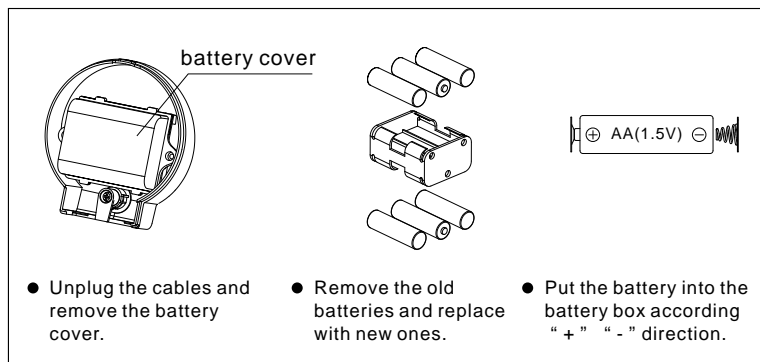
Installation guide



1. Wet the assembling paper and put it on the right place on the wall.
2. Drill three $\phi 6\text{mm}$ hole according to the assembling paper and put the plastic screw into it.
3. Aim the hole of wall hanging frame at the plastic screw and lock it on the wall by screw.
4. Put the machine back onto the wall hanging frame's hook.
5. Press the machine and put it into the hook tightly.
6. Open the upper cover by key.
7. Turn on the cover of liquid can, fix the machine on the wall hanging frame with screw.
8. Connet the power wire and fix it on shell (for A type).

Battery change (for D type)

1. The indicator Flickers flash continuously when battery life is end.
2. Please change batteries in time when indicator flickers.
3. Select 6pcs AA alkaline batteries, the new and old can't be used together.
4. Open the battery holder, remove the batteries and replace all batteries with new ones.
5. Please make sure you install the batteries in the right direction, the + and - side are indicated in the battery holder.
6. Close the battery holder, place the cover back in place and tighten the screws.
7. Follow the instructions for setting the sensor range if required.



Part name

A type

