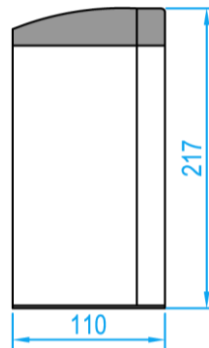
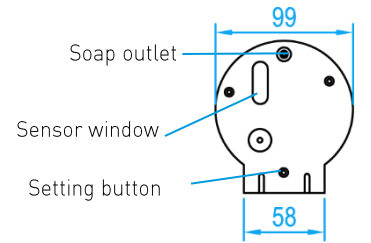


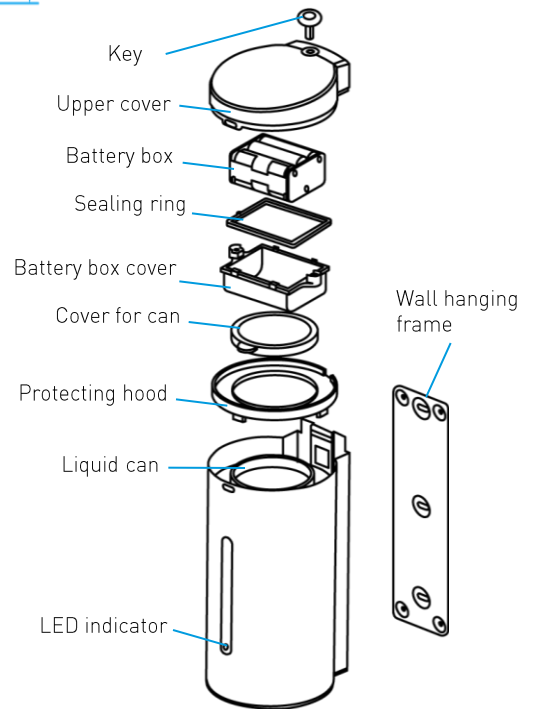
# STAINLESS STEEL AUTOMATIC SOAP DISPENSER



SIDE VIEW



BOTTOM VIEW



COMPONENT VIEW

## CHARACTERISTIC

- **Sensor control:** Designed with SCM, Ultra-low energy consumption.
- **Multi-functional:** Normal on/off mode, adjust sensor distance mode and adjust flow time mode.
- **Sensor distance:** Automatically adjusted by pressing the multi-function button within 30 seconds of powering on.
- **Volume per drop:** Automatically adjusted by pressing multi-function button within 30 seconds of powering on.
- **Appearance:** AISI304 material, strong and beautiful.
- **Protecting device:** The lock design on the top of cover will prevent unauthorised opening. Electronic parts are sealed to be waterproof.
- **Applicable soap viscosity:** 1~3500mPa•s (cP)
- **Recommended soap viscosity:** 1800mPa•s (cP)

## SPECIFICATIONS

Power Supply	DC9V (6AA alkaline batteries)
Capacity	650ml
Volume Per Use	0.8~6.5ml (adjustable)
Flow Time	0.5 ~ 2 sec
Ambient Temperature	0~45°C

## STANDARD SPECIFICATIONS

SKU	SENSE DISTANCE	DIMENSIONS	WEIGHT (Kg)	PCS/CTN
SDN610D	5~15cm	217mm(H) x 110mm (W) x 99mm(D)	1.113kg	12