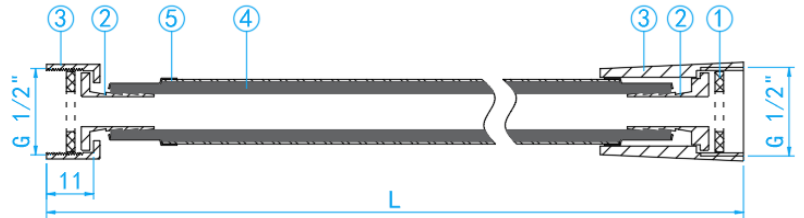
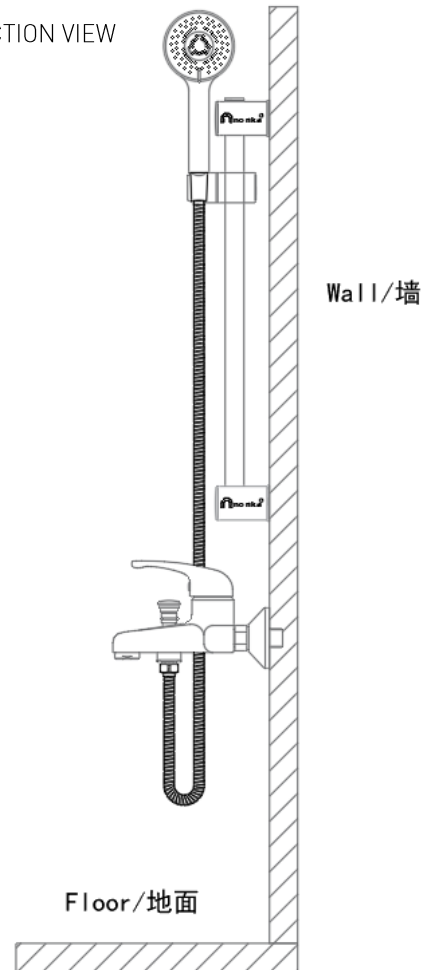


# STAINLESS STEEL FLEXIBLE TUBE



SECTION VIEW



## COMPONENT PARTS

ITEM	PARTS	MATERIAL
1.	Washer	NBR
2.	Nut	Brass
3.	Cap	Brass
4.	Tube	EPDM
5.	Clamp	Stainless Steel

## STANDARD SPECIFICATIONS

Working Pressure	10 bar
Suitable Temperature	-10°C~70°C

## DIMENSIONS

SKU	L (mm)	WEIGHT (kg)	PCS/CTN
SHN1200	1200	0.180	100
SHN1500	1500	0.230	50
SHN1800	1800	0.280	50