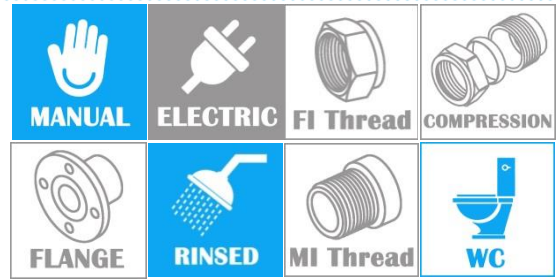
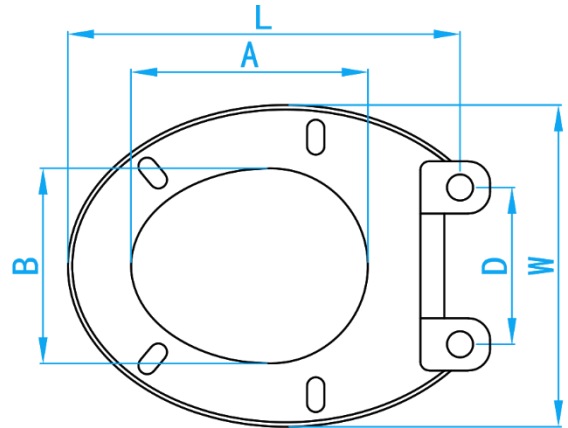


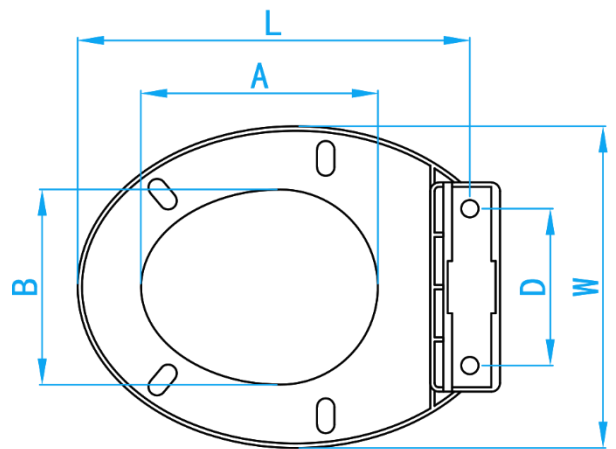
# TOILET SEAT COVER



LIGHT DUTY: DSWW



HEAVY DUTY: DSWWHD



SIDE VIEW

COMPONENT PARTS

ITEM	PARTS	MATERIAL
1	Body	PP

SPECIFICATIONS

SKU	L (mm)	A (mm)	B (mm)	D Installation Hole Distance (mm)	W (mm)	WEIGHT (Kg)	PCS/CTN
DSWW	440 ~ 456	269	221	158±15	371	0.730	10
DSWWHD	450.5 ± 13.5	291	225	153.5±13.5	378	1.340	10

**\*Note : Seat covers are suitable for most V-shaped toilet seat.**