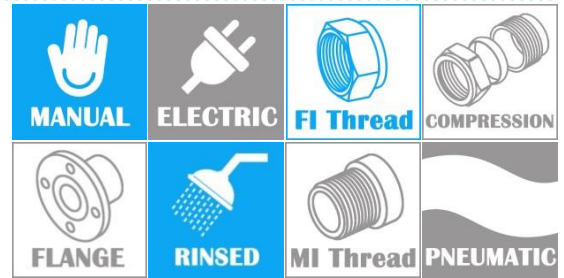
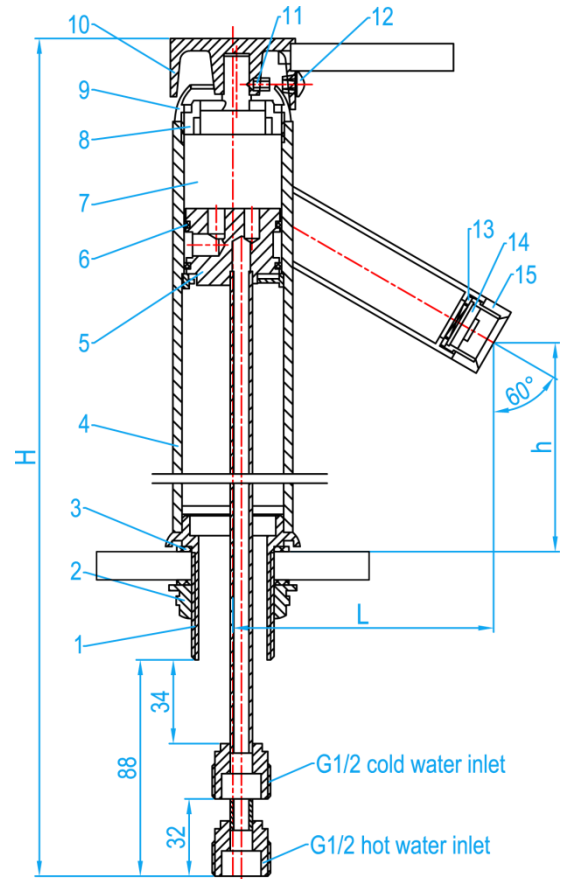


SINGLE LEVER SINK MIXER



norika
norika
norika



SECTION VIEW

COMPONENT PARTS

ITEM	PARTS	MATERIAL
1	Connector	Brass
2	Lock Nut	Brass
3	Washer	NBR
4	Body	Brass
5	Assembly	DZR Brass
6	O-ring	NBR
7	Piston	Ceramic
8	Gland Nut	Brass
9	Decorative cover	ABS
10	Handle	Kirsite
11	Handle Screw	Stainless Steel
12	Blank Cap	ABS
13	Gasket	Silica Gel
14	Flow Regulator	ABS
15	Outlet Ring	Brass

STANDARD SPECIFICATIONS

Nominal pressure	0.6MPa
Working Medium	Water
Working Temperature	$t \leq 90\text{ }^{\circ}\text{C}$

SPECIFICATIONS

SKU	L (mm)	H (mm)	h (mm)	WEIGHT (Kg)	PCS/CTN
NMG38	105	459	203	1.885	8