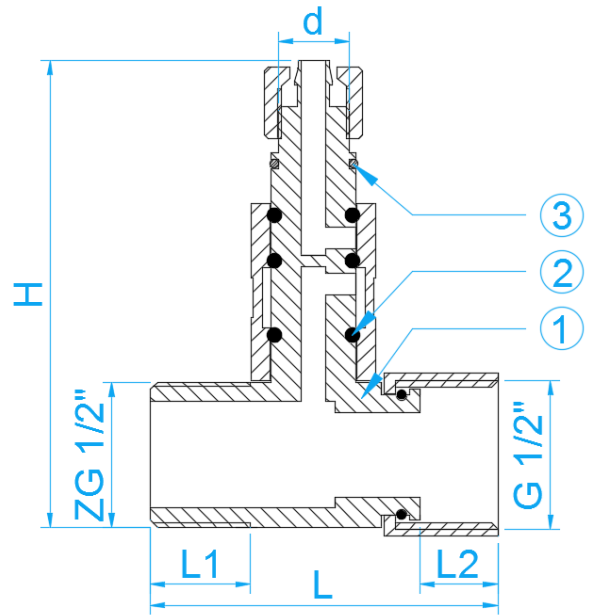
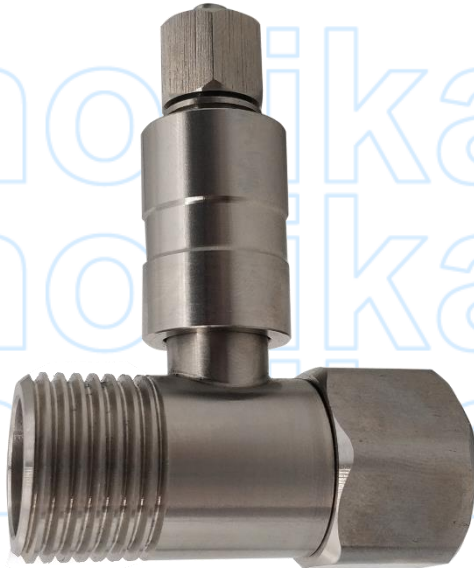


# STAINLESS STEEL 304 SHUT OFF VALVE FOR WATER PURIFIERS



CROSS SECTIONAL VIEW

## STANDARD SPECIFICATION

|                   |        |
|-------------------|--------|
| Working Pressure  | 200Psi |
| Applicable Medium | Water  |

## COMPONENT PARTS

| ITEM | PARTS  | MATERIAL |
|------|--------|----------|
| 1    | Body   | AISI304  |
| 2    | Clip   | AISI304  |
| 3    | O-ring | EPDM     |

## DIMENSIONS

| SKU           | SIZE<br>(inch) | H<br>(mm) | L<br>(mm) | L1<br>(mm) | L2<br>(mm) | d<br>(inch) | WEIGHT<br>(Kg) | PCS/CTN |
|---------------|----------------|-----------|-----------|------------|------------|-------------|----------------|---------|
| MBVSSN01506TO | 1/2" X 1/4"    | 66        | 49        | 13         | 11         | 1/4"        | 0.11           | 100     |
| MBVSSN01510TO | 1/2" X 3/8"    | 66        | 49        | 13         | 11         | 3/8"        | 0.11           | 100     |