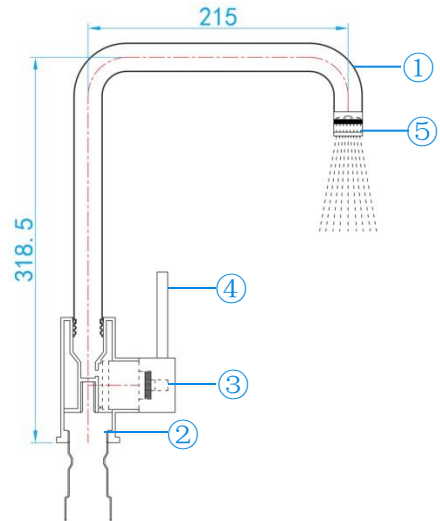
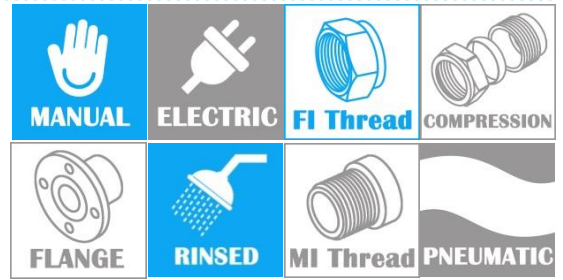


STAINLESS STEEL AISI304 SINGLE LEVER HANDLE QUICK ACTION SINK MIXER

COMPLY WITH BS EN817:2008



SECTION VIEW

CHARACTERISTIC

- Suitable for public, commercial and institutional washrooms.
- Saves water through built-in volume control and jet regulator,
- Corrosion-resistant material.
- Easy installation and maintenance.

COMPONENT PARTS

ITEM	PARTS	MATERIAL
1.	Pipe	AISI304
2.	Body	AISI304
3.	Piston	POP
4.	Handle	AISI304
5.	Flow Regulator & Accelerator	ABS

STANDARD SPECIFICATIONS

SKU	APPLICABLE WATER PRESSURE	WATER TEMPERATURE	ENVIRONMENTAL TEMPERATURE	WATER SUPPLYING CALIBER	WEIGHT (kg)	PCS/CTN
NXTS001	1.6Mpa	0°C ≤ t ≤ 80°C	Room Temperature	1/2" BSP	0.98	10