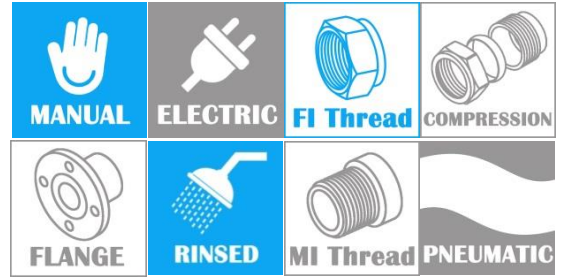
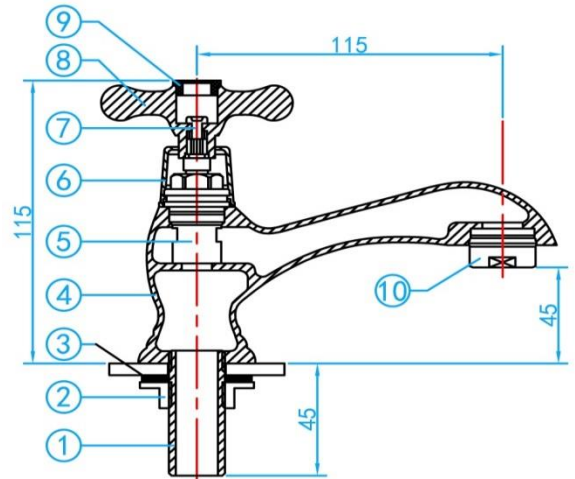


# CHROME PLATED QUICK ACTION CROSS HANDLE BASIN PILLAR TAP

COMPLY WITH BSEN200:2008  
 BSEN248:2002  
 AS/NZS4020:2005  
 SS375: PART 1



NORMAL-CROSS HANDLE



SECTION VIEW

COMPONENT PARTS

| ITEM | PARTS            | MATERIAL            |
|------|------------------|---------------------|
| 1.   | Inlet Pipe       | Brass               |
| 2.   | Nut              | Brass               |
| 3.   | Washes           | NBR                 |
| 4.   | Body             | Brass               |
| 5.   | Piston           | Brass, NBR, Ceramic |
| 6.   | Decorative Cover | ABS                 |
| 7.   | Cross Head Screw | AISI304             |
| 8.   | Handle           | Brass               |
| 9.   | Stifle           | ABS                 |
| 10.  | Bubbler          | Brass, ABS, NBR     |

STANDARD SPECIFICATIONS

| SKU  | APPLICABLE WATER PRESSURE | WATER TEMPERATURE | ENVIRONMENTAL TEMPERATURE | H (mm) | WATER SUPPLYING CALIBER | WEIGHT (kg) | PCS/CTN |
|------|---------------------------|-------------------|---------------------------|--------|-------------------------|-------------|---------|
| NML8 | 1.0Mpa                    | t ≤ 90°C          | Room Temperature          | 115    | 1/2" BSP                | 0.575       | 30      |