

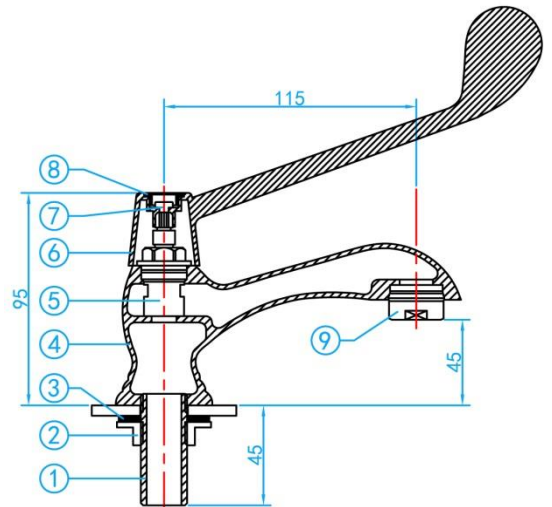
# CHROME PLATED LONG LEVER QUICK ACTION HANDLE BASIN PILLAR TAP (For ambulant/handicapped toilet)



COMPLY WITH BSEN200:2008  
 BSEN248:2002  
 AS/NZS4020:2005  
 SS375: PART 1



LONG LEVER HANDLE



SECTION VIEW

### COMPONENT PARTS

ITEM	PARTS	MATERIAL
1.	Inlet Pipe	DZR Brass
2.	Nut	Brass
3.	Washers	NBR
4.	Body	DZR Brass
5.	Piston	DZR Brass, EPDM, Ceramic
6.	Handle	Kirsite
7.	Head Screw	Brass
8.	Tab	ABS
9.	Bubbler	Brass, POM, EPDM

### STANDARD SPECIFICATIONS

SKU	APPLICABLE WATER PRESSURE	WATER TEMPERATURE	ENVIRONMENTAL TEMPERATURE	H (mm)	WATER SUPPLYING CALIBER	WEIGHT (kg)	PCS/CTN
NML8XL	1.0Mpa	t ≤ 90°C	Room Temperature	95	1/2" BSP	0.520	30