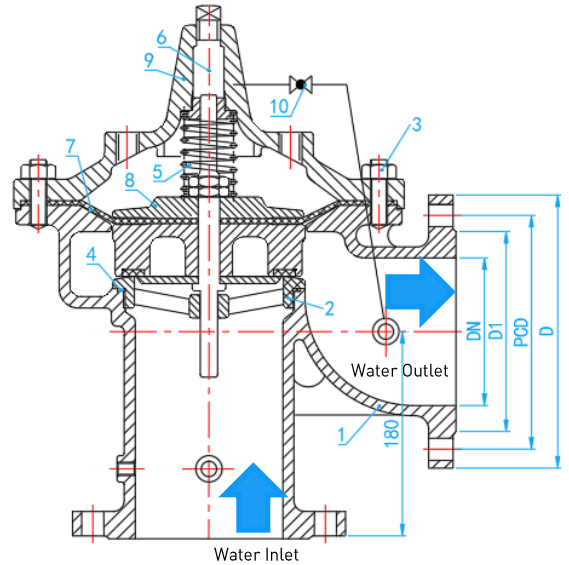


# DUCTILE IRON HYDRAULICALLY CONTROLLED PILOT OPERATED FLOAT VALVE



COMPLY WITH BS 1212-2:1990  
BS EN 1092-2:1997  
BS 1968:1953



CROSS SECTIONAL VIEW

STANDARD SPECIFICATIONS	
Nominal Pressure	16 Bar
Working Medium	Water
Working Temperature	0 ≤ t ≤ 80°C

MAIN VALVE COMPONENT PARTS		
ITEMS	PARTS	MATERIAL
1	Body	Ductile Iron
2	Valve Seat	AISI304
3	Bolt and Nut	AISI304
4	O-ring	EPDM
5	Spring	AISI304
6	Stem	Stainless Steel
7	Diaphragm	EPDM
8	Diaphragm Press Plate	Ductile Iron
9	Bonnet	Ductile Iron
10	Mini Ball Valve	DZR Brass
11	Ball and Accessories	AISI304



ACCESSORIES

## DIMENSIONS

SKU	DN (mm)	D1 (mm)	PCD (mm)	D (mm)	No. of Bolt And Aperture (mm)	WEIGHT (kg)	PCS/CTN
POVDIN100F	100	156	180	220	8-19	33.44	1