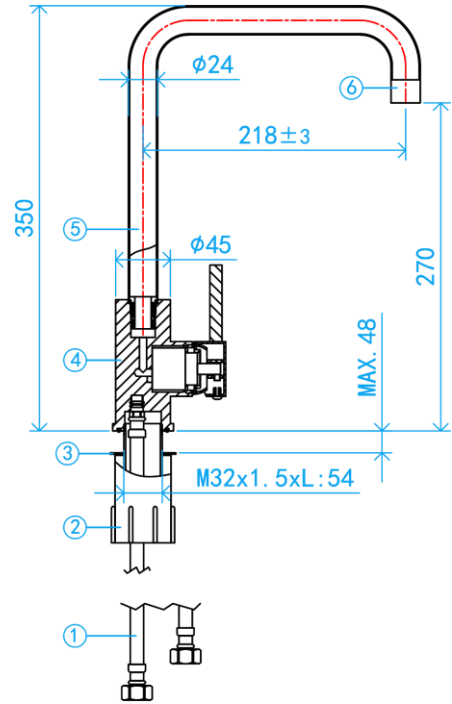
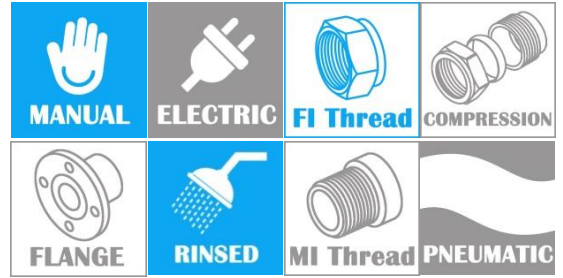


STAINLESS STEEL AISI304 SINGLE HANDLE SINK MIXER

COMPLY WITH BS EN817:2008



SECTION VIEW

CHARACTERISTIC

- Suitable for public, commercial and institutional washrooms.
- Saves water through built-in volume control and jet regulator,
- Corrosion-resistant material.
- Easy installation and maintenance.

COMPONENT PARTS

ITEM	PARTS	MATERIAL
1.	Inlet Hose	AISI304 + EPDM + DZR Brass
2.	Lock Nut	AISI304/ ABS
3.	Washer	AISI304+NBR
4.	Cartridge	ABS + EPDM + Ceramics
5.	Spout Ass.	AISI304
6.	Aerator	EPDM+AISI304+POM

STANDARD SPECIFICATIONS

SKU	APPLICABLE WATER PRESSURE	WATER TEMPERATURE	ENVIRONMENTAL TEMPERATURE	WATER SUPPLYING CALIBER	WEIGHT (kg)	PCS/CTN
NXTS001	1.6Mpa	$0^{\circ}C \leq t \leq 80^{\circ}C$	Room Temperature	1/2" BSP	1.775	10