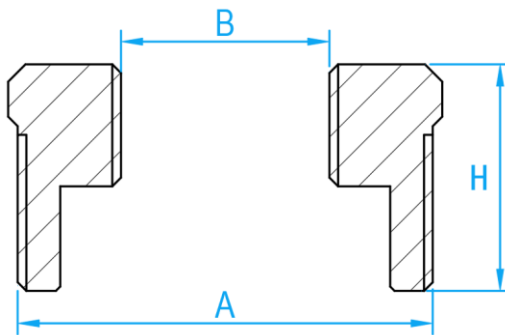


[MIXFI] BRASS BUSH



CROSS SECTIONAL VIEW

COMPONENT PARTS

PARTS	MATERIAL
Bush	DZR Brass

DIMENSIONS

SKU	A (inch)	B (inch)	H (mm)	WEIGHT (kg)	PCS/CTN (kg)
CRRB01506	1/2"BSPT	1/8" BSP	15	0.030	800
CRRB01508	1/2"BSPT	1/4" BSP	15	0.025	800
CRRB01509	1/2"BSPT	7/16" UNF	15	0.030	800
CRRB01510	1/2"BSPT	3/8" BSP	15	0.017	1000
CRRB02015	3/4"BSPT	1/2" BSP	16	0.025	500
CRRB02515	1"BSPT	1/2" BSP	26	0.075	300
CRRB02520	1"BSPT	3/4" BSP	26	0.075	300
CRRB03515	1 1/4"BSPT	1/2" BSP	26	0.175	200
CRRB03520	1 1/4"BSPT	3/4" BSP	26	0.100	200
CRRB03525	1 1/4"BSPT	1" BSP	26	0.090	120
CRRB04215	1 1/2"BSPT	1/2" BSP	26	0.220	100
CRRB04220	1 1/2"BSPT	3/4" BSP	26	0.210	100
CRRB04225	1 1/2"BSPT	1" BSP	26	0.170	100
CRRB04235	1 1/2"BSPT	1 1/4" BSP	26	0.110	100
CRRB05015	2"BSPT	1/2" BSP	28	0.400	60
CRRB05020	2"BSPT	3/4" BSP	28	0.390	50
CRRB05025	2"BSPT	1" BSP	28	0.300	50
CRRB05035	2"BSPT	1 1/4" BSP	28	0.300	50
CRRB05042	2"BSPT	1 1/2" BSP	28	0.220	100
CRRB06515	2 1/2"BSPT	1/2" BSP	40	0.785	50
CRRB06520	2 1/2"BSPT	3/4" BSP	40	0.740	50
CRRB06525	2 1/2"BSPT	1" BSP	40	0.685	30
CRRB06535	2 1/2"BSPT	1 1/4" BSP	40	0.680	30
CRRB06542	2 1/2"BSPT	1 1/2" BSP	40	0.645	30
CRRB06550	2 1/2"BSPT	2" BSP	40	0.550	40