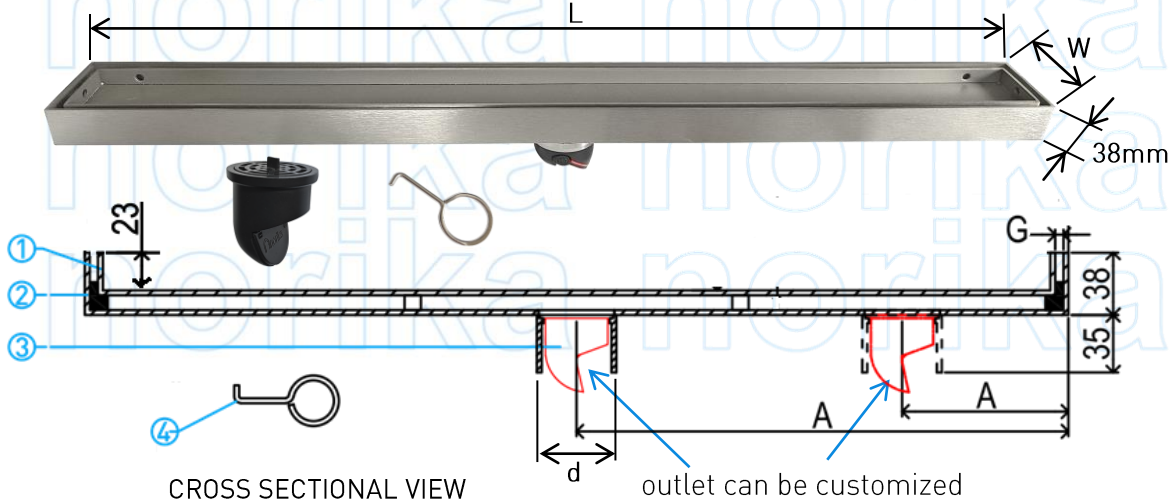
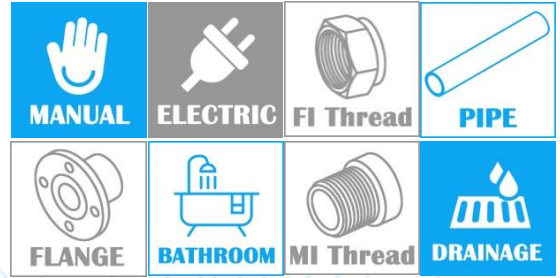
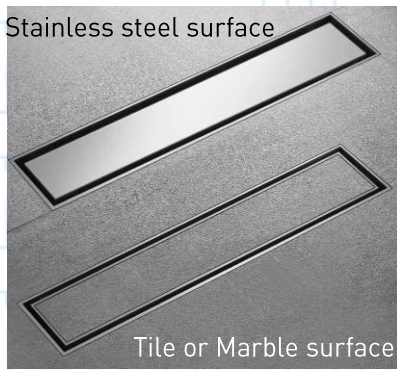


LINEAR SHOWER DRAIN (FOR 20MM THK MARBLE)



Made from **3mm** thick materials with a reinforced main body, providing exceptional sturdiness and durability.



INSTALLATION EFFECT

COMPONENT PARTS

ITEM	PARTS	MATERIAL
1	Tray	AISI304L / AISI316L
2	Frame	AISI304L / AISI316L
3	Filter	UPVC
4	Key	AISI304 / AISI316

CHARACTERISTIC

Main function	Drainage, sealing
Surface treatment	Hairline
Applications	Sleek and modern linear shower drain, ideal for use in residences, hotels, apartments, office buildings, HDB units, and villas.

DIMENSIONS

SKU	W (mm)	L (From 300 to 2000 mm)	G (mm)	A (mm)	Tray Depth h (mm)	Thick (mm)	d (mm)	WEIGHT (Kg)	PCS/CTN
SMARTLM-0550650	55	650	6	325	23	3	48.5	-	-
SMARTLM-0550900		900		450				-	-
SMARTLM-055****		Customizable		Centre or Edge				-	-
SMARTLM-0760650	76	650	6	325	23	3	48.5	-	-
SMARTLM-0760900		900		450				-	-
SMARTLM-076****		Customizable		Centre or Edge				-	-
SMARTLM-1000650	100	650	6	325	23	3	96.0	-	-
SMARTLM-1000900		900		450				-	-
SMARTLM-100****		Customizable		Centre or Edge				-	-