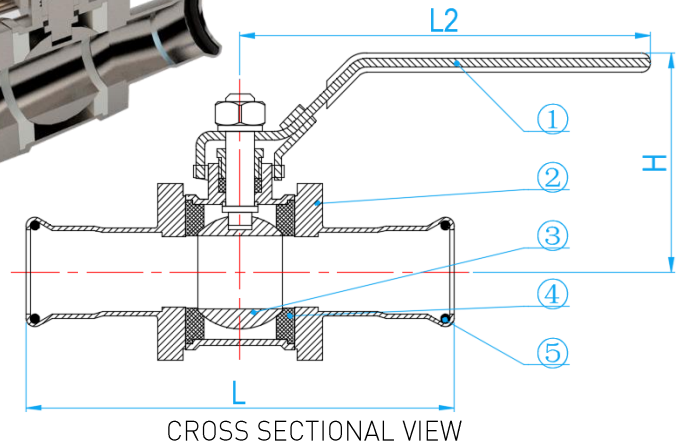


LOCKABLE BLUE HANDLE STAINLESS STEEL 304 PRESS- FIT BALL VALVE

COMPLY WITH BSEN13828:2003



COMPONENT PARTS

| ITEM | PARTS | MATERIAL |
|------|------------|--------------------|
| 1 | Handle | PVC Coated AISI304 |
| 2 | Valve Body | AISI304 |
| 3 | Ball | AISI304 |
| 4 | Seat | PTFE |
| 5 | O-Ring | EPDM |

STANDARD SPECIFICATIONS

| | |
|---------------------|---|
| Max Pressure | 16bars |
| Working Medium | Water |
| Working Temperature | $-20^{\circ}\text{C} \leq t \leq 120^{\circ}\text{C}$ |

DIMENSIONS

| SKU | DN (mm) | SIZE (inch) | H (mm) | L (mm) | L2 (mm) | WEIGHT (kg) | PCS/CTN |
|------------|------------|----------------|-----------|-----------|------------|----------------|---------|
| BVSSPFN015 | 15 | 1/2" | 53 | 117 | 95 | 0.555 | 28 |
| BVSSPFN020 | 20 | 3/4" | 63 | 128 | 110 | 0.785 | 24 |
| BVSSPFN025 | 25 | 1" | 73 | 144 | 120 | 1.020 | 15 |
| BVSSPFN035 | 32 | 1 1/4" | 92 | 159 | 145 | 1.485 | 9 |
| BVSSPFN042 | 42 | 1 1/2" | 93 | 183 | 155 | 2.015 | 6 |
| BVSSPFN050 | 50 | 2" | 100 | 212 | 170 | 2.810 | 6 |
| BVSSPFN065 | 65 | 2 1/2" | 123 | 286 | 180 | 5.635 | 1 |
| BVSSPFN080 | 80 | 3" | 146 | 312 | 190 | 8.725 | 1 |
| BVSSPFN100 | 100 | 4" | 163 | 392 | 200 | 16.145 | 1 |