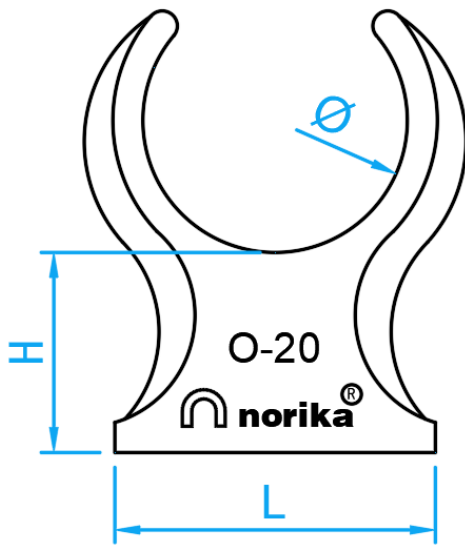
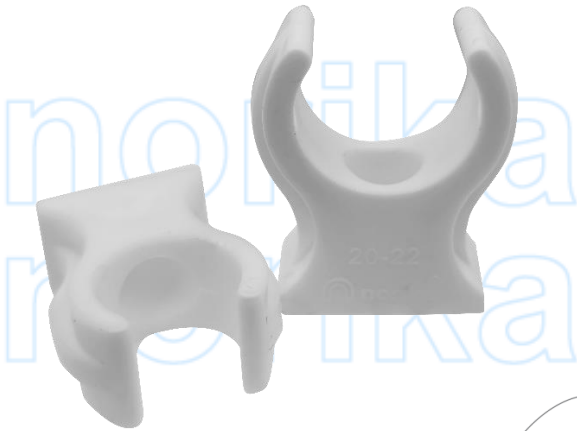
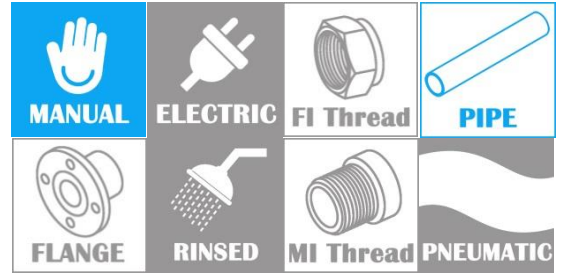
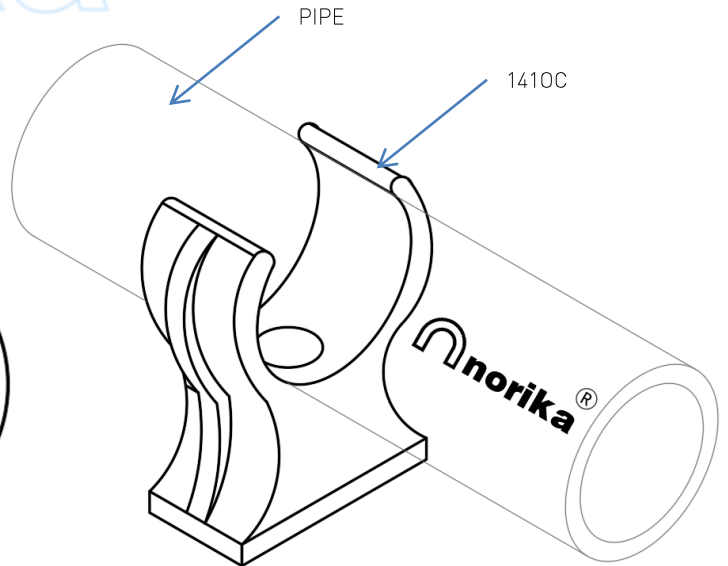


POLYPROPYLENE O CLIP



Side View



INSTALLATION ASSEMBLY

DIMENSIONS					APPLICABLE PIPE SIZE				
SKU	SIZE (mm)	∅ (mm)	H (mm)	L (mm)	S/STEEL COPPER (mm)	SS141 UPVC (mm)	PEX (mm)	WEIGHT (kg)	PCS/CTN
1410C010	15	15	15	21	15	-	16	0.003	2000
1410C015	20	20	15	25	22	21.2	20	0.005	2000
1410C020	25	25	18	30	28	26.6	25	0.008	1000