

# Thread Pressure Reducing Valve (PRV) Manual

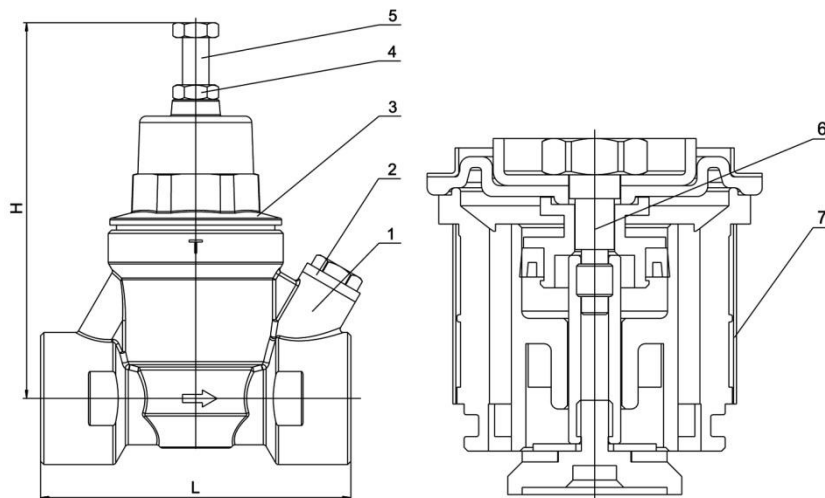
## USE:

The pressure reducing valve (PRV) reduces the water pressure passing through by throttling the PRV hexagonal head screw (5) counterclockwise to decrease the pressure, or clockwise to increase it. The lock nut (4) secures the setting and maintains the pressure within the desired range. The PRV is equipped with a filtering device to remove impurities from the pipeline, ensuring stable operation. Additionally, there is a feature to mount the outlet pressure gauge directly onto the PRV at location (2) after removing the hexagonal plug head, allowing you to view the pressure after adjustment. Norika's PRV design is compact and convenient for easy debugging.

## TECHNICAL PARAMETERS:

- Nominal Pressure: 1.6 MPa
- Medium: Water
- Working Temperature: 0°C < t ≤ 85°C
- Outlet Pressure Adjustable Range: 0.15 ~ 0.45 MPa

## APPEARANCE AND DIMENSION:

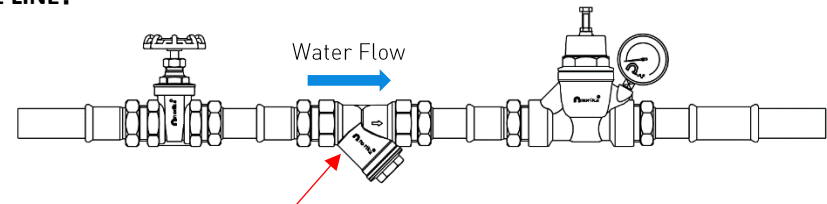


- 1、 Valve Body ; 2、 Plug Head ; 3、 Bonnet; 4、 Nut; 5、 Hex-bolts ;  
6、 Spool Component ; 7、 Filter

Unit: mm

STOCK CODE	L	H	Valve Body Thread End	Weight (kg)
PRVCRN15	78	91	G1/2"	0.44
PRVCRN20	78	91	G3/4"	0.47
PRVCRN25	94	114	G1"	0.81
PRVCRN35	125	137	G1 1/4"	1.45
PRVCRN42	125	137	G1 1/2"	1.52
PRVCRN50	145	157	G2"	2.35
PRVCRN65	185	225	G2 1/2"	4.80

## PIPE LINE:



Note: A strainer must be installed before the pressure reducing valve to prevent damage from debris.

## INSTALLATION, OPERATION AND MAINTENANCE:

The PRV can be installed either horizontally or vertically in the pipeline. Ensure that the flow directional arrow on the PRV body points in the same direction as the water flow towards the outlet of the pipeline.

- To regulate the outlet water pressure:  
Turn the hexagonal head (5) clockwise to increase the water pressure or counterclockwise to reduce the water pressure.
- To install the outlet pressure gauge:  
Remove the hexagonal plug head (2) and install the outlet pressure gauge (thread size: G1/4").

### Maintenance:

- 1.First, remove the hexagonal bonnet (3).
- 2.Follow by removing the internal valve assembly (6).
- 3.Take out the filters (7) for cleaning.
- 4.Once cleaned, reinstall the filter and valve components for reuse.

## SPECIAL PRECAUTIONS SHOULD BE TAKEN :

1. Ensure a consistent water flow rate in the pipe for the outlet PRV pressure regulator to function effectively.
2. Do not unscrew the PRV cover for cleaning while the pipeline is still in operation with water pressure supply.
3. When cleaning the PRV, close the water supply to either side of the inlet or outlet opening before unscrewing the PRV's bonnet (3). However, do not remove the internal spool structure.
4. Clean the PRV regularly to maintain optimal performance.
5. It is recommended to use a pressure gauge with an outer diameter of 60mm at the end of the valve.
6. This product is patented. Counterfeiting is prohibited.

# 螺纹式减压阀说明书

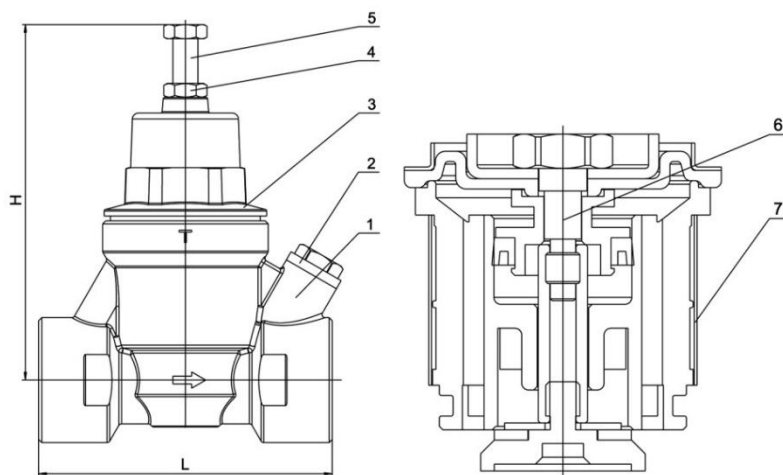
## 一. 用途

本阀门用于降低液压管路中的压力，并使其保持在一个恒定的范围内，同时本阀门带有过滤装置，用于过滤管路中的杂质，确保阀门稳定工作，且本阀门预留了压力表接口，方便压力调试。

## 二. 技术参数：

- 公称压力：1.6Mpa
- 介质：水
- 工作温度：0°C < t ≤ 85°C
- 理想的出口调压范围：0.15~0.45Mpa

## 三. 外观及尺寸

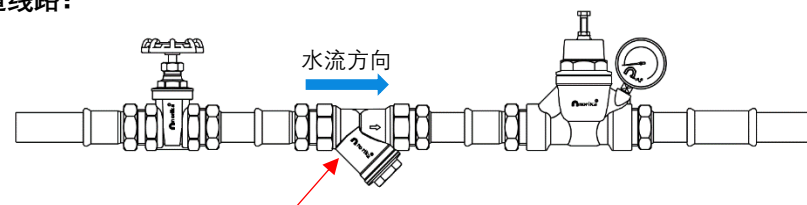


1、阀体；2、堵头；3、阀盖；4、螺母；5、六角头螺栓；6、阀芯组件；7、过滤网

单位: mm

规格型号	L	H	阀体两接口端螺纹	重量 (kg)
PRVCRN15	78	91	G1/2"	0.44
PRVCRN20	78	91	G3/4"	0.47
PRVCRN25	94	114	G1"	0.81
PRVCRN35	125	137	G1 1/4"	1.45
PRVCRN42	125	137	G1 1/2"	1.52
PRVCRN50	145	157	G2"	2.35
PRVCRN65	185	225	G2 1/2"	4.80

## 管道线路：



注意：减压阀前必须安装过滤器，以防止碎屑残渣造成损坏。

## 四. 安装、操作及维护

本阀可水平或者垂直安装在管路中，阀门的安装必须保证按照阀体上的箭头方向和管路中液体的流动方向一致。减压阀从上往下看时，顺时针方向旋紧六角头螺栓5，减压阀出口压力上升，反之减压阀出口压力下降。拆下堵头2可以安装一个压力表（压力表接口螺纹为G1/4"）。将阀盖3拧下，取出内部阀芯组件6，可将过滤网7拿下清洗，按原样复位即可重新使用。

## 五. 需特别注意事项：

- (1) 本阀门的出水口压力的调节要在管道内介质流动状态下才有效；
- (2) 在阀门工作状态下不得将阀盖拧开进行清洗；
- (3) 清洗本阀门时，需将减压阀前后的阀门关闭，再将阀盖拧开，但不可变动内部阀芯架结构；
- (4) 定期清洗本阀门；
- (5) 在阀门出口端，建议选用压力表表盘直径为60mm的压力表。
- (6) 该产品为专利产品，仿冒必究。