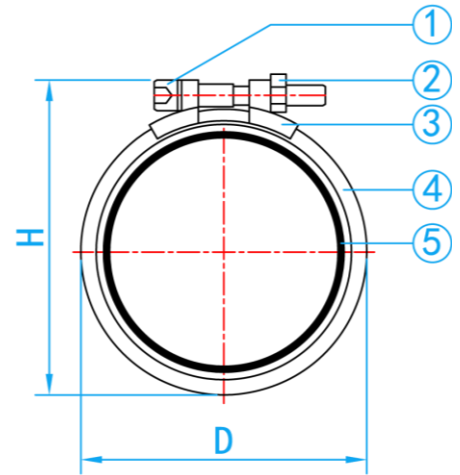
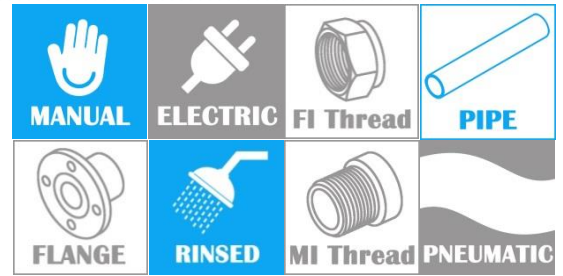
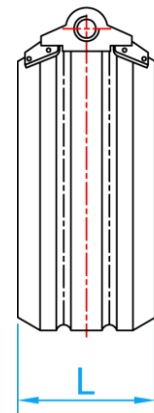


TYPE B RAPID COUPLING

COMPLY WITH EN877:2010 01



SIDE VIEW



FRONT VIEW

INSTALLATION ASSEMBLY

COMPONENT PARTS

ITEM	PARTS	MATERIAL
1.	Hexagon Socket head Screw	Stainless Steel 304
2.	Wing Nut	Stainless Steel 304
3.	Locking Component	Stainless Steel 304
4.	Band Clamp	Stainless Steel 304
5.	Rubber Gasket	EPDM

STANDARD SPECIFICATIONS

SKU	SIZE (mm)	L (mm)	H (mm)	D (mm)	BOLT	BAR	INSTALL TORQUE (Nm)	WEIGHT (kg)
HUBC050B	50	41 ± 1	83.5	70.9	M8	0.5	11	0.1
HUBC080B	80	45 ± 1	108.0	98.9	M8		11	0.12
HUBC100B	100	45 ± 1	133.5	125.0	M8		15	0.21
HUBC125B	125	54 ± 1	158.2	150.0	M8		15	0.36
HUBC150B	150	54 ± 1	186.7	175.8	M8		15	0.38
HUBC200B	200	67 ± 1	244.0	227.0	M10		Until both locks come together	0.53