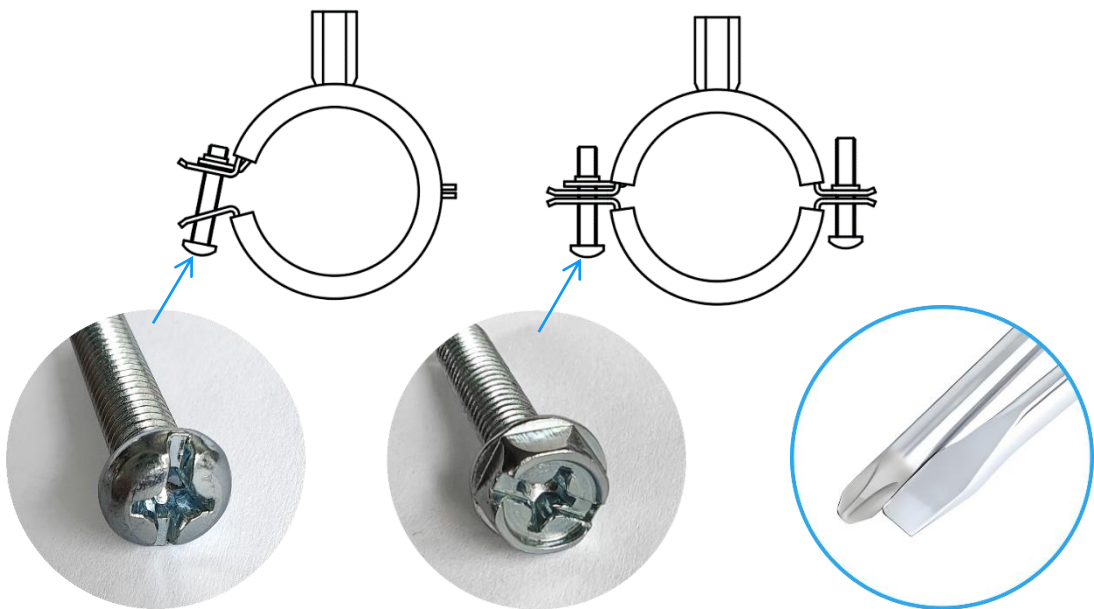
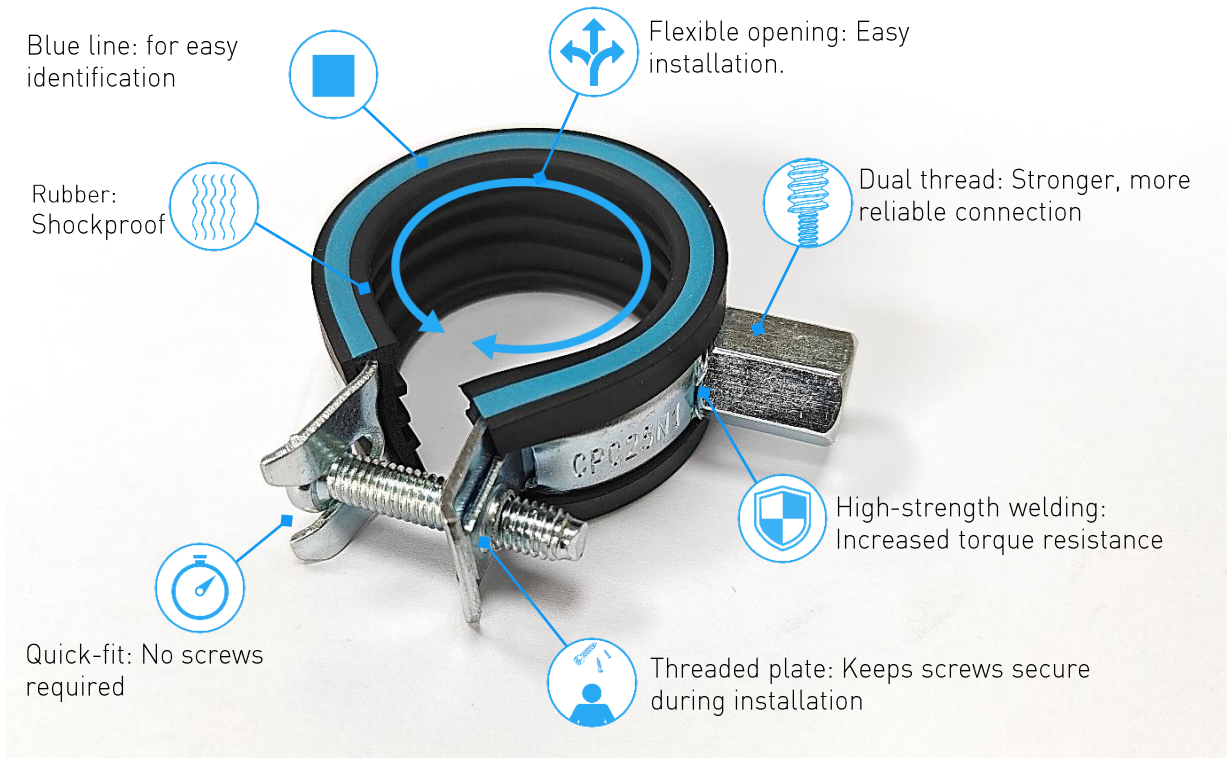


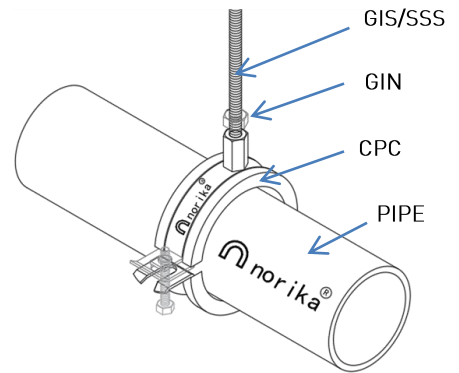
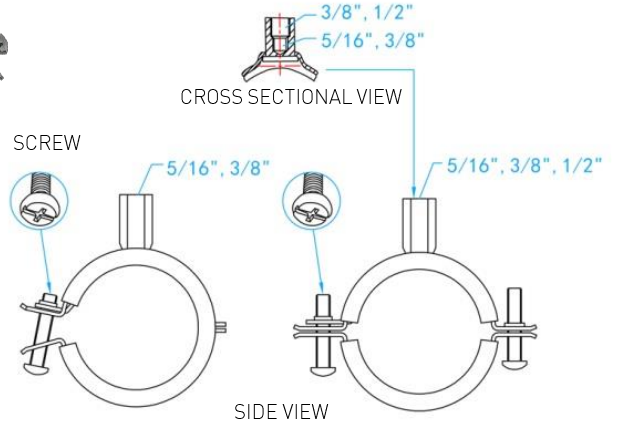
SS316 INSULATED COPPER PIPE CLAMP

Perfect for harsh environments, providing enhanced corrosion protection against chlorides, acids, and alkalis.



Universal fit for all screwdrivers

SS316 INSULATED COPPER PIPE CLAMP



INSTALLATION ASSEMBLY

STANDARD SPECIFICATIONS	
Materials	AISI316
Connection	5/16" & 3/8" & 1/2" [Projection Welded]
Screw	AISI316
Acoustic Insulation	26dB [EMPA Nr 179143]
Type Of Rubber	EPDM, 53 Shore ,5mm thick

STANDARD SPECIFICATIONS			APPLICABLE PIPE SIZE									
SKU	OD RANGE (mm)	CONNECTION	S/STEEL COPPER (mm)	SS141 UPVC (mm)	VP/VU (mm)	SS213 (mm)	HUBLESS CASTIRON (mm)	EPOXY/GI STEEL (mm)	PPR (mm)	PEX (mm)	WEIGHT (kg)	PCS/CTN
CPC010N1-SS316	15-18	5/16" & 3/8"	15	-	13	-	-	-	-	16	0.060	300
CPC015N1-SS316	20-23	5/16" & 3/8"	22	16	16	-	-	15	20	20	0.059	250
CPC020N1-SS316	25-29	5/16" & 3/8"	25	20	20	-	-	20	25	25	0.070	250
CPC025N1-SS316	31-36	5/16" & 3/8"	35	25	25	35	-	25	32	32	0.076	200
CPC035N1-SS316	37-43	5/16" & 3/8"	42	30	30	42	-	35	40	40	0.082	150
CPC042N1-SS316	47-54	5/16" & 3/8"	54	-	42	55	-	42	50	50	0.099	100
CPC050N1-SS316	55-63	5/16" & 3/8"	67	50	50	-	50	50	63	63	0.170	100
CPC065N1-SS316	66-77	5/16" & 3/8"	76	-	65	-	-	65	75	75	0.185	100
CPC080N1-SS316	82-90	3/8" & 1/2"	-	-	-	80	80	80	-	-	0.280	50
CPC100N1-SS316	108-115	3/8" & 1/2"	108	100	100	100	100	100	-	-	0.315	50
CPC125N1-SS316	139-142	3/8" & 1/2"	-	-	125	-	125	125	-	-	0.355	25
CPC150N1-SS316	159-169	3/8" & 1/2"	159	-	-	150	150	150	150	-	0.420	20
CPC200N1-SS316	215-220	3/8" & 1/2"	-	-	200	-	200	-	-	-	0.472	20
CPC250N1-SS316	267-277	3/8" & 1/2"	-	-	-	-	250	-	-	-	0.576	20
CPC300N1-SS316	311-321	3/8" & 1/2"	-	-	-	-	300	-	-	-	0.648	15
CPC350N1-SS316	355-365	3/8" & 1/2"	-	-	-	-	360	-	-	-	0.723	10