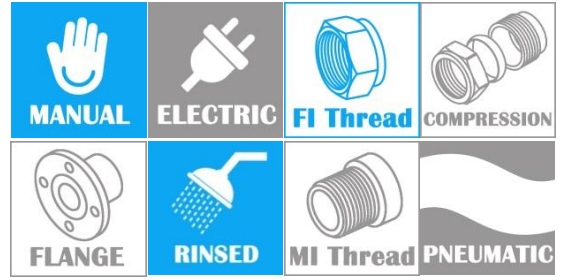
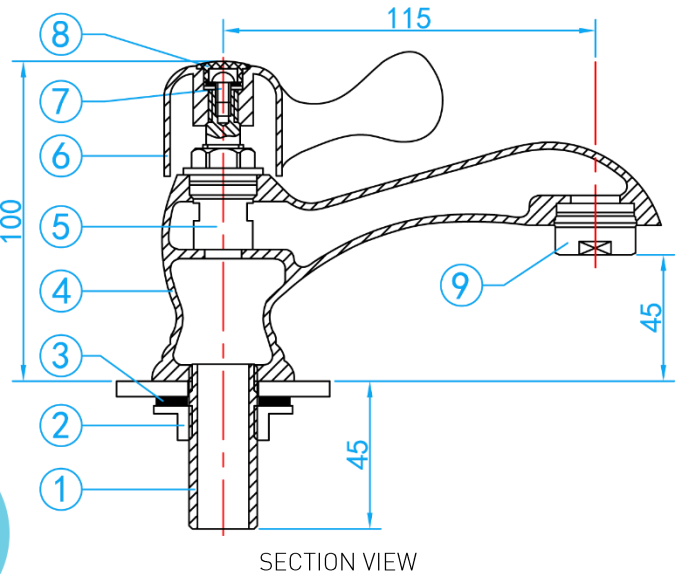


# SHORT HANDLE QUICK ACTION CHROME PLATED BASIN PILLAR TAP

COMPLY WITH BS EN 200:2008  
 BS EN 248:2002  
 AS/NZS 4020:2005  
 SS 375:2015  
 SS 270:2015



SHORT LEVER HANDLE



SECTION VIEW

COMPONENT PARTS

ITEM	PARTS	MATERIAL
1.	Inlet Pipe	DZR Brass
2.	Nut	Brass
3.	Washers	NBR
4.	Body	DZR Brass
5.	Piston	DZR Brass, EPDM, Ceramic
6.	Handle	Kirsite
7.	Head Screw	Brass
8.	Tab	ABS
9.	Bubbler	Brass, POM, EPDM

CHARACTERISTIC

- Suitable for public, commercial and institutional washrooms.
- Saves water through built-in volume control.
- Corrosion-resistant material.
- Easy installation and maintenance.

STANDARD SPECIFICATIONS

SKU	APPLICABLE WATER PRESSURE	WATER TEMPERATURE	ENVIRONMENTAL TEMPERATURE	H (mm)	WATER SUPPLYING CALIBER	WEIGHT (kg)	PCS/CTN
NML8L	1.0Mpa	t ≤ 90°C	Room Temperature	100	1/2" BSP	0.531	30