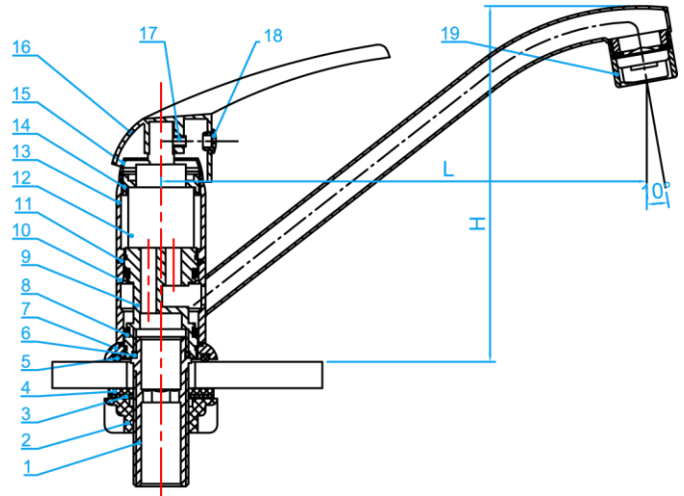
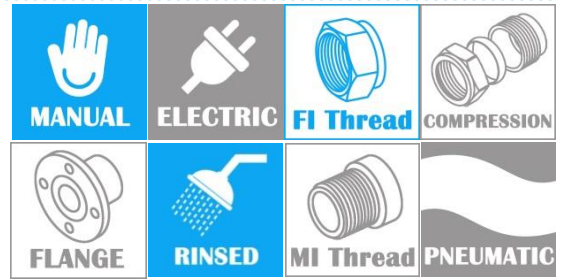


# SINGLE INLET COLD LEVER SINK TAP

COMPLY WITH BS EN 200:2008  
AS/NZS 4020:2005  
BS EN 248:2002  
SS 375:2015



SECTION VIEW

COMPONENT PARTS

ITEM	PARTS	MATERIAL
1	Water Inlet Connector	Brass
2	Lock Nut	POM
3	Gasket	PE
4	Rubber Gasket	NBR
5	O-ring	NBR
6	O-ring	NBR
7	Lock Nut	Brass
8	V-ring	NBR
9	Valve Seat	Brass
10	Outlet Pipe Assembly	Brass
11	Resistant Gasket	PTFE
12	Piston	Ceramic + POM + NBR
13	Bonnet	Brass
14	Pressing Cap	Brass
15	Decorative Ring	Brass
16	Handle	Kirsite
17	Lock Screw	AISI304
18	Blank Cap	ABS
19	Bubbler	Brass + POM + NBR

STANDARD SPECIFICATIONS

Nominal pressure	0.6MPa
Working Medium	Water
Working Temperature	0 °C~90 °C

SPECIFICATIONS

SKU	L (mm)	H (mm)	WEIGHT (Kg)	PCS/CTN
NXL9	190	125	0.535	12