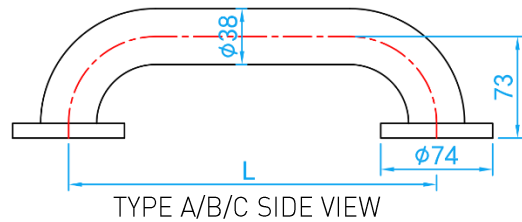
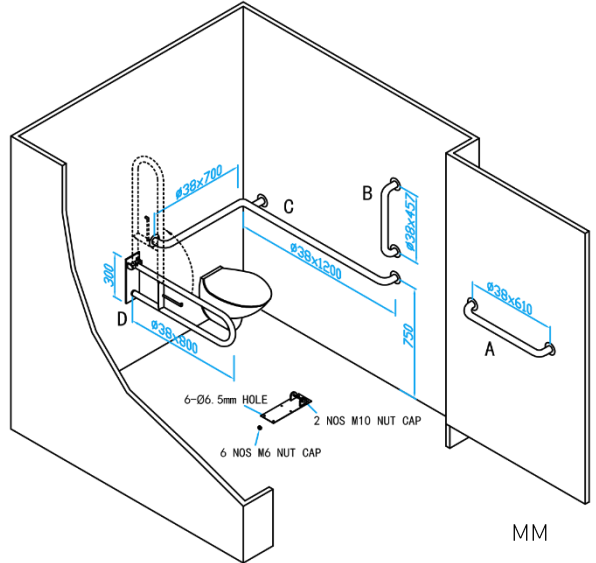


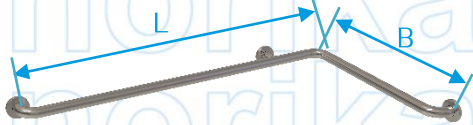
# STAINLESS STEEL HANDICAPPED GRAB BAR



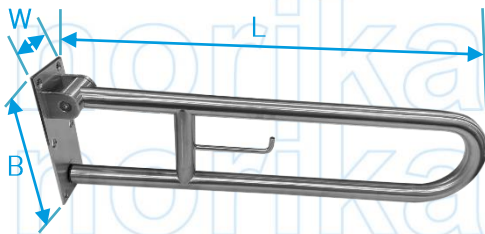
GRAB BARS INSTALLATION  
LAYOUT GUIDE



TYPE A/B SSGB



TYPE C SSGBL7001200



TYPE D SSUGB800300

\* Length could be customized.

## STANDARD SPECIFICATIONS

SKU	MATERIAL	L (mm)	PIPE DIAMETER (mm)	WEIGHT (kg)	PCS/CTN
SSGB0250	AISI304	250	Ø38	0.45	20
SSGB0300	AISI304	305	Ø38	0.50	20
SSGB0350	AISI304	350	Ø38	0.55	20
SSGB0400	AISI304	405	Ø38	0.59	20
SSGB0450	AISI304	457	Ø38	0.87	20
SSGB0600	AISI304	610	Ø38	1.03	20
SSGB0650	AISI304	650	Ø38	1.15	20
SSGB0750	AISI304	750	Ø38	1.20	20
SSGB0900	AISI304	915	Ø38	1.36	20
SSGBL7001200	AISI304	1200 (L) X 700 (B)	Ø38	1.90	8
SSUGB800300	AISI304	800 (L) X 260 (B) X 100 (W)	Ø38	2.36	6